

Series 38 EMI Backshells

for MIL-DTL-28840 Connectors

380G*011 EMI Backshell, Spin Coupling



Shielded. Straight, 45° or 90°. 380G*011- backshell fits MIL-DTL-28840 connectors. Spin coupling. For use with shielded jacketed cable. Type H heavy duty saddle clamp has stainless steel telescoping fillister head screws and lockwashers. Available in aluminum or stainless steel.

Adapter Code **G**

This accessory fits MIL-DTL-28840 and Glenair Series 901 Connectors

PROFILE SELECTION GUIDE

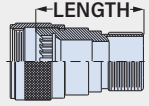
S Straight

H 45°

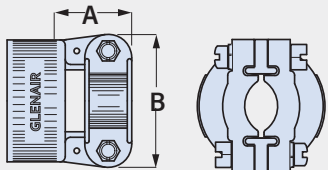
J 90°

PART NUMBER

		380GS011	ZU	17	08	H	3			
Base P/N	Base Part No.	Profile								
	380GS011	S	Straight							
	380GH011	H	45°							
	380GJ011	J	90°							
Material/Finish	M	Alum/Electroless Nickel								
	NF	Alum/Cadmium, Olive Drab								
	ZR	Alum/Black Zinc-Nickel								
	TZ	Alum/Tin-Zinc								
	ZI	SST/Passivated								
	ZU	SST/Cadmium, Black								
	ZTZ	SST/Tin-Zinc								
Shell Size	Shell Size	11	13	15	17	19	23	25	29	33
	Size Code	11	13	15	17	19	23	25	29	33
Entry Size	Entry Size	Max. Cable Dia.		Shell Size*		* If selected entry size exceeds shell size range, a Style 2 transition adapter will be included. See Maximum Entry Size for details.				
	04	.312 (7.9)		11-33						
	06	.437 (11.1)		13-33						
	08	.562 (14.3)		15-33						
	10	.625 (15.9)		15-33						
	12	.750 (19.1)		17-33						
	16	.937 (23.8)		23-33						
	20	1.250 (31.8)		29-33						
	24	1.375 (34.9)		29-33						
	28	1.625 (41.3)		33						
	32	1.875 (47.6)		-						
Strain Relief	H	Saddle Clamp								
Length	3	1.5 inches	Applies to Profile S only. If Entry Size is greater than "Maximum Entry Size" (see next page), then 2 inch minimum applies.							
	4	2.0 inches								
	6	3.0 inches								
	8	4.0 inches								



STRAIN RELIEF DIMENSIONS



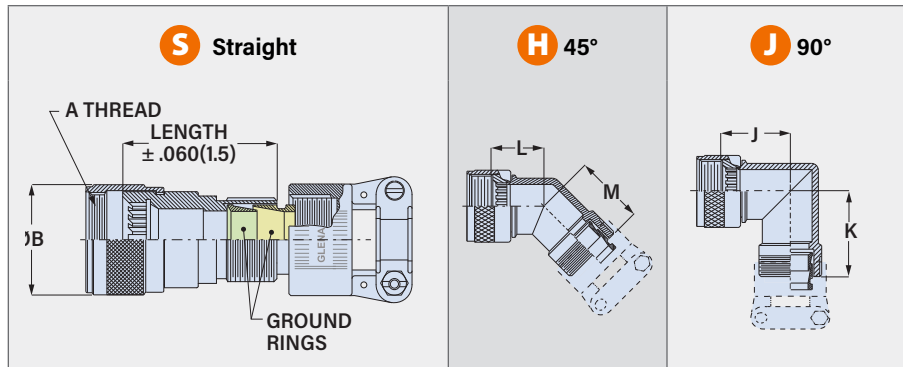
Saddle Clamp

Entry Size	A Max		B Max		Cable Range			
	in	mm	in	mm	Min in	mm	Max in	mm
04	.780	19.8	.957	24.3	.125	3.2	.312	7.9
06	.780	19.8	1.145	29.1	.250	6.4	.437	11.1
08	.780	19.8	1.332	33.8	.312	7.9	.562	14.3
10	.780	19.8	1.332	33.8	.350	8.9	.625	15.9
12	.811	20.6	1.551	39.4	.500	12.7	.750	19.1
16	.905	23.0	1.770	45.0	.625	15.9	.937	23.8
20	1.092	27.7	2.113	53.7	.875	22.2	1.250	31.8
24	1.124	28.5	2.363	60.0	1.000	25.4	1.375	34.9
28	1.399	35.5	2.770	70.4	1.250	31.8	1.625	41.3
32	1.399	35.5	3.020	76.7	1.437	36.5	1.875	47.6

Series 38 EMI Backshells

for MIL-DTL-28840 Connectors

380G*011 EMI Backshell, Spin Coupling



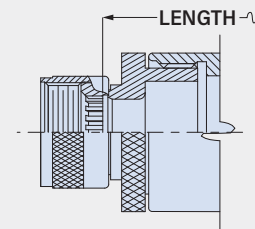
Size Code	Shell Size	A Thread Class 2B	øB Max.		J Max.		K Max.		L Max.		M Max.	
			in	mm	in	mm	in	mm	in	mm	in	mm
11	A (11)	.750-20 UNEF	.94	23.9	1.24	31.5	1.05	26.7	1.38	35.1	1.19	30.2
13	B (13)	.875-20 UNEF	1.07	27.7	1.26	32.0	1.07	27.2	1.44	36.6	1.25	31.8
15	C (15)	1.000-20 UNEF	1.21	30.7	1.29	32.8	1.10	27.9	1.50	38.1	1.32	33.5
17	D (17)	1.125-18 UNEF	1.41	35.7	1.31	33.3	1.12	28.4	1.57	39.9	1.38	35.1
19	E (19)	1.250-18 UNEF	1.53	38.9	1.34	34.0	1.15	29.2	1.63	41.4	1.46	37.1
23	F (23)	1.438-18 UNEF	1.73	43.9	1.38	35.1	1.19	30.2	1.73	43.9	1.54	39.1
25	G (25)	1.562-18 UNEF	1.82	46.2	1.41	35.8	1.22	31.0	1.80	45.7	1.61	40.9
29	H (29)	1.875-16 UN	2.14	54.4	1.58	40.1	1.39	35.3	2.04	51.8	1.85	47.0
33	J (33)	2.062-16 UNS	2.44	62.0	1.62	41.1	1.43	36.3	2.13	54.1	1.94	49.3

MAXIMUM ENTRY SIZE

If the selected entry size exceeds the maximum size in this table, the backshell will have a front adapter. This is called a Style 2 backshell.

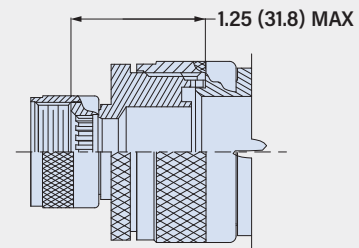
Shell Size	Maximum Entry Size
A (11)	04
B (13)	06
C (15)	10
D (17)	12
E (19)	12
F (23)	16
G (25)	16
H (29)	24
J (33)	28

Style 2 Straight Backshell



For Style 2 straight backshells, the minimum length code increases from 3 (1 ½ inches) to 4 (2 inches).

Style 2 45° and 90° Backshells



For Style 2 45° and 90° backshells, the length increases by 1.25 inches.