

Series 37 Environmental Backshells

for MIL-DTL-26500 Connectors

370E*002 Backshell, Environmental, Direct Coupling



Environmental. Straight, 45° or 90°. 370E*002 backshell fits MIL-DTL-26500 connectors. Direct coupling, environmentally sealed with O-ring and cable grommet. For use with unshielded jacketed cable. Strain relief styles include saddle clamp or low profile nut. Type H heavy duty saddle clamp has stainless steel telescoping fillister head screws and lockwashers. Available in aluminum or stainless steel. Silicone O-ring and grommet.

Adapter Code E

This accessory fits MIL-DTL-26500 connectors

PART NUMBER

370ES002 NF 18 06 D 3

Base P/N

370ES002	S	Straight
370EA002	A	90° Elbow
370EB002	B	45° Elbow
370EH002	H	45° Cut/Weld
370EJ002	J	90° Cut/Weld
370EM002	M	45° Full Radius
370EN002	N	90° Full Radius

Material/Finish

C	Alum/ Black Anodize
M	Alum/ Electroless Nickel
MT	Alum/ Nickel-PTFE
NF	Alum/ Olive Drab Cadmium
ZR	Alum/ Black Zinc-Nickel
TZ	Alum/ Tin-Zinc
ZI	SST/ Passivated (Profiles H, J, M, N, S only)

Shell Size 08 10 12 14 16 18 20 22 24

Entry Size

Entry Size	Max Cable Dia.	Shell Size*	Entry Size	Max Cable Dia.	Shell Size*
04	.312 (7.9)	08-24	16	.937 (23.8)	18-24
06	.437 (11.1)	10-24	20	1.250 (31.8)	24
08	.562 (14.3)	12-24	24	1.375 (34.9)	*
10	.625 (15.9)	14-24	28	1.625 (41.3)	*
12	.750 (19.1)	16-24	32	1.875 (47.6)	*

* If selected entry size exceeds shell size range, a Style 2 transition adapter will be included. Applies to Profile **S** only. See Maximum Entry Size for details.

Strain Relief

H	Saddle Clamp		
D	Nut	Saddle Clamp b	

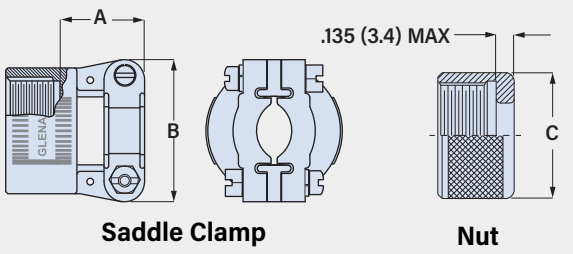
Length

3	1.5 inches	Applies to Profile S only. If Entry Size is greater than "Maximum Entry Size" (see next page), then 2 inch minimum applies.
4	2.0 inches	
6	3.0 inches	
8	4.0 inches	

PROFILE SELECTION GUIDE

S Straight 	B 45°
H 45° 	M 45°
A 90° 	J 90°
N 90° 	

STRAIN RELIEF DIMENSIONS



Entry Size	A Max		B Max		øC Max		Cable Range			
	in	mm	in	mm	in	mm	Min*	mm	in	mm
04	.780	19.8	.957	24.3	.755	19.2	.125	3.2	.312	7.9
06	.780	19.8	1.145	29.1	.942	23.9	.250	6.4	.437	11.1
08	.780	19.8	1.332	33.8	1.067	27.1	.312	7.9	.562	14.3
10	.780	19.8	1.332	33.8	1.192	30.3	.350	8.9	.625	15.9
12	.811	20.6	1.551	39.4	1.380	35.1	.500	12.7	.750	19.1
16	.905	23.0	1.770	45.0	1.535	39.0	.625	15.9	.937	23.8
20	1.092	27.7	2.113	53.7	1.848	46.9	.875	22.2	1.250	31.8
24	1.124	28.5	2.363	60.0	2.255	57.3	1.000	25.4	1.375	34.9
28	1.399	35.5	2.770	70.4	2.505	63.6	1.250	31.8	1.625	41.3
32	1.399	35.5	3.020	76.7	2.755	70.0	1.437	36.5	1.875	47.6

* Not applicable to Style D Nut.

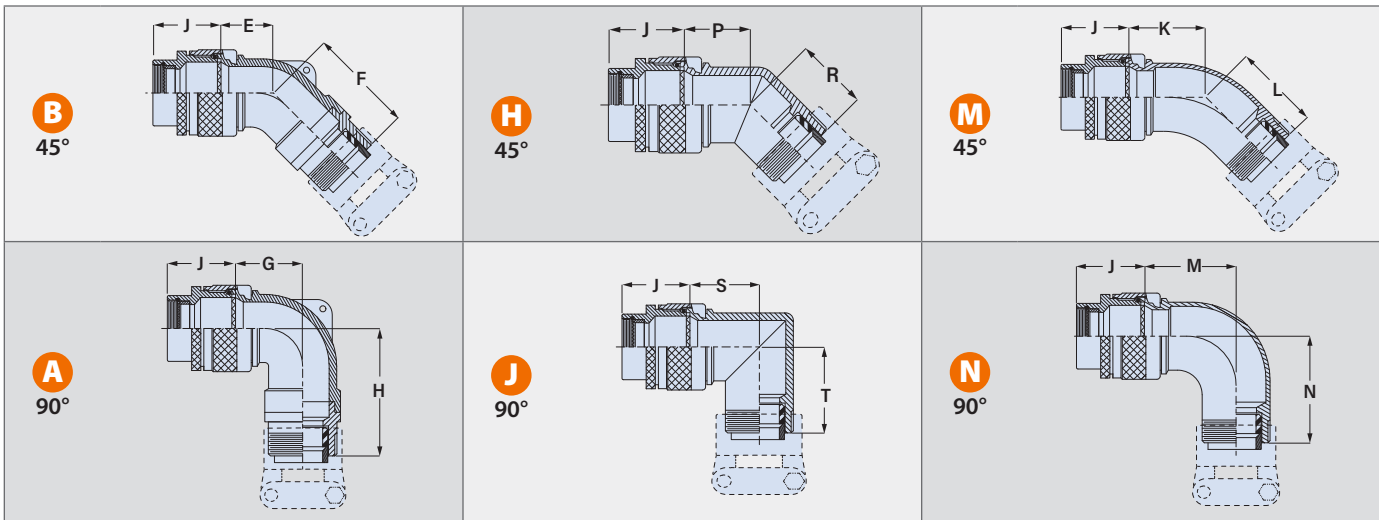
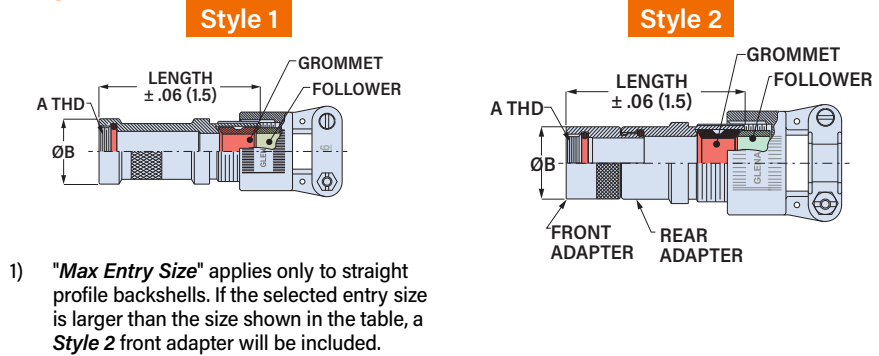
Series 37 Environmental Backshells

for MIL-DTL-26500 Connectors

370E*002 Backshell, Environmental, Direct Coupling

DIMENSIONS AND MAXIMUM ENTRY SIZE

Shell Size	A Thread UNEF-2B	øB Max in	øB Max mm	J Max in	J Max mm	Max Entry Size (1)
08	0.4375-28	.59	15.0	1.25	31.8	04
10	0.5625-24	.72	18.3	1.25	31.8	06
12	0.7500-24	.84	21.3	1.25	31.8	08
14	0.8125-20	.97	24.6	1.25	31.8	10
16	0.9375-20	1.09	27.7	1.56	39.6	12
18	1.0625-18	1.22	31.0	1.56	39.6	16
20	1.1875-18	1.34	34.0	1.56	39.6	16
22	1.3125-18	1.47	37.3	1.56	39.6	16
24	1.4375-18	1.59	40.4	1.56	39.6	20



Entry Size	E Max in	E Max mm	F Max in	F Max mm	G Max in	G Max mm	H Max in	H Max mm	K Max in	K Max mm	L Max in	L Max mm	M Max in	M Max mm	N Max in	N Max mm	P Max in	P Max mm	R Max in	R Max mm	S Max in	S Max mm	T Max in	T Max mm
04	.567	14.4	1.399	35.5	.636	16.2	1.412	35.9	.861	21.9	1.181	30.0	1.250	31.8	1.570	39.9	.688	17.5	1.059	26.9	.870	22.1	1.239	31.5
06	.630	16.0	1.462	37.1	.710	18.0	1.532	38.9	.911	25.8	1.231	31.3	1.375	34.9	1.695	43.1	.705	17.9	1.089	27.7	.920	23.4	1.309	33.2
08	.962	17.6	1.524	38.7	.731	18.6	1.552	39.4	.965	27.0	1.285	32.6	1.500	38.1	1.820	46.2	.732	18.6	1.109	28.7	.980	24.9	1.369	34.8
10	.755	19.2	1.957	49.7	.825	21.0	1.962	49.8	1.014	29.8	1.334	33.9	1.625	41.3	1.945	49.4	.732	18.6	1.109	28.7	.980	24.9	1.369	34.8
12	.848	21.5	2.067	52.5	.988	25.1	2.052	52.1	1.064	27.0	1.384	35.2	1.750	44.5	2.070	52.6	.773	19.6	1.139	28.9	1.080	27.4	1.449	36.8
16	1.036	26.3	2.254	57.3	1.087	27.6	2.227	56.6	1.172	37.7	1.492	37.9	2.000	50.8	2.320	58.9	.823	20.6	1.209	30.7	1.200	30.5	1.599	40.6
20	1.130	28.7	2.463	62.6	1.325	33.7	2.395	60.8	1.325	33.7	1.645	41.8	2.375	60.3	2.695	68.5	1.041	26.4	1.379	34.9	1.480	37.6	1.839	46.7
24	1.255	31.9	2.503	63.6	1.337	34.0	2.548	64.7	1.325	33.7	1.645	41.8	2.375	60.3	2.695	68.5	1.092	27.7	1.419	36.0	1.610	40.9	1.929	49.0
28	1.317	33.5	2.598	66.0	1.827	46.4	2.798	71.1	1.428	36.3	1.748	44.4	2.625	66.7	2.945	74.8	1.138	28.9	1.469	37.3	1.720	43.7	2.039	51.8
32	1.348	34.2	2.813	71.5	2.027	51.5	2.818	71.6	N/A	N/A	N/A	N/A	N/A	N/A	N/A	N/A	1.184	30.1	1.509	38.3	1.830	46.5	2.149	54.6