



Series 37 Environmental Backshells

for AS50151 Solder Connectors

370B*002 Backshell, Environmental, Direct Coupling



Adapter Code B
Fits AS50151 Series 1 AN Type solder Connectors . AS310*1, MS3100.

PROFILE SELECTION GUIDE

<p>S Straight</p>	
<p>B 45°</p>	<p>A 90°</p>
<p>H 45°</p>	<p>J 90°</p>
<p>M 45°</p>	<p>N 90°</p>

Submersible. Straight, 45° or 90°. 370B*002 backshell fits AS50151 (MS3100) solder connectors. Direct coupling, environmentally sealed with O-ring and cable grommet. For use with unshielded jacketed cable. Strain relief styles include saddle clamp or low profile grommet nut. Type H heavy duty saddle clamp has stainless steel telescoping fillister head screws and lockwashers. Available in aluminum or stainless steel. Silicone O-ring and grommet.

PART NUMBER

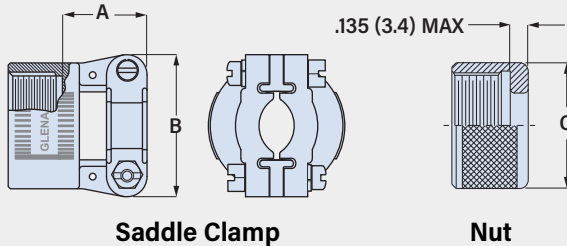
	370BA002	NF	15	06	D	A																																			
Base P/N	<p>370BS002 S Straight 370BA002 A 90° Elbow 370BB002 B 45° Elbow 370BH002 H 45° Cut/Weld 370BJ002 J 90° Cut/Weld 370BM002 M 45° Full Radius 370BN002 N 90° Full Radius</p>																																								
Material/Finish	<p>C Alum/ Black Anodize M Alum/ Electroless Nickel MT Alum/ Nickel-PTFE NF Alum/ Olive Drab Cadmium ZR Alum/ Black Zinc-Nickel TZ Alum/ Tin-Zinc ZI SST/ Passiv. (Profiles H, J, M, N, S only)</p>																																								
Shell Size	<table border="1"> <thead> <tr> <th>Code</th> <th>Shell Size</th> <th>Code</th> <th>Shell Size</th> </tr> </thead> <tbody> <tr> <td>05</td> <td>10S</td> <td>20</td> <td>22</td> </tr> <tr> <td>08</td> <td>10SL</td> <td>21</td> <td>24</td> </tr> <tr> <td>11</td> <td>12, 12S</td> <td>22</td> <td>28</td> </tr> <tr> <td>14</td> <td>14, 14S</td> <td>23</td> <td>32</td> </tr> <tr> <td>15</td> <td>16, 16S</td> <td>26</td> <td>36</td> </tr> <tr> <td>16</td> <td>18</td> <td>31</td> <td>40</td> </tr> <tr> <td>17</td> <td>20</td> <td></td> <td></td> </tr> </tbody> </table>	Code	Shell Size	Code	Shell Size	05	10S	20	22	08	10SL	21	24	11	12, 12S	22	28	14	14, 14S	23	32	15	16, 16S	26	36	16	18	31	40	17	20										
Code	Shell Size	Code	Shell Size																																						
05	10S	20	22																																						
08	10SL	21	24																																						
11	12, 12S	22	28																																						
14	14, 14S	23	32																																						
15	16, 16S	26	36																																						
16	18	31	40																																						
17	20																																								
Entry Size	<table border="1"> <thead> <tr> <th>Entry Size</th> <th>Max Cable Dia.</th> <th>Shell Size*</th> <th>Entry Size</th> <th>Max Cable Dia.</th> <th>Shell Size*</th> </tr> </thead> <tbody> <tr> <td>04</td> <td>.312 (7.9)</td> <td>10S-40</td> <td>16</td> <td>.937 (23.8)</td> <td>20-40</td> </tr> <tr> <td>06</td> <td>.437 (11.1)</td> <td>10SL-40</td> <td>20</td> <td>1.250 (31.8)</td> <td>24-40</td> </tr> <tr> <td>08</td> <td>.562 (14.3)</td> <td>14-40</td> <td>24</td> <td>1.375 (34.9)</td> <td>28-40</td> </tr> <tr> <td>10</td> <td>.625 (15.9)</td> <td>14-40</td> <td>28</td> <td>1.625 (41.3)</td> <td>32-40</td> </tr> <tr> <td>12</td> <td>.750 (19.1)</td> <td>18-40</td> <td>32</td> <td>1.875 (47.6)</td> <td>40</td> </tr> </tbody> </table> <p>* If selected entry size exceeds shell size range, a Style 2 transition adapter will be included. Applies to Profile S only. See Maximum Entry Size for details.</p>	Entry Size	Max Cable Dia.	Shell Size*	Entry Size	Max Cable Dia.	Shell Size*	04	.312 (7.9)	10S-40	16	.937 (23.8)	20-40	06	.437 (11.1)	10SL-40	20	1.250 (31.8)	24-40	08	.562 (14.3)	14-40	24	1.375 (34.9)	28-40	10	.625 (15.9)	14-40	28	1.625 (41.3)	32-40	12	.750 (19.1)	18-40	32	1.875 (47.6)	40				
Entry Size	Max Cable Dia.	Shell Size*	Entry Size	Max Cable Dia.	Shell Size*																																				
04	.312 (7.9)	10S-40	16	.937 (23.8)	20-40																																				
06	.437 (11.1)	10SL-40	20	1.250 (31.8)	24-40																																				
08	.562 (14.3)	14-40	24	1.375 (34.9)	28-40																																				
10	.625 (15.9)	14-40	28	1.625 (41.3)	32-40																																				
12	.750 (19.1)	18-40	32	1.875 (47.6)	40																																				
Strain Relief	<p>H Saddle Clamp D Nut</p>																																								
Length	<p>3 1.5 inches 4 2.0 inches 6 3.0 inches 8 4.0 inches</p> <p>Applies to Profile S only. If Entry Size is greater than "Max Entry Size" (see table on next page), then 2 inch minimum applies.</p>																																								
Connector Manufacturer Code	<p>A Universal</p> <p>Compatible with all manufacturers. Includes additional thread adapter(s) as necessary to fit multiple manufacturers. See following page for thread dimensions.</p>																																								

Series 37 Environmental Backshells

for AS50151 Solder Connectors

370B*002 Backshell, Environmental, Direct Coupling

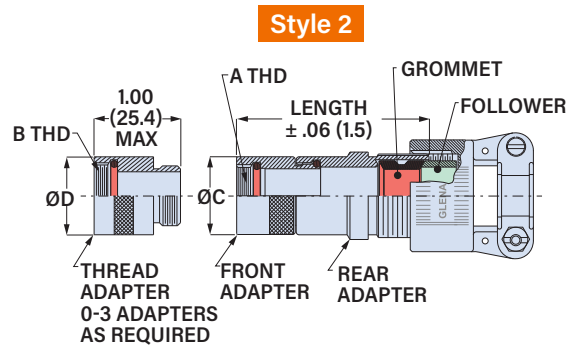
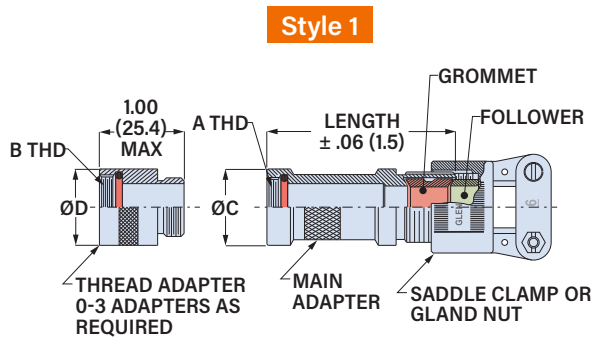
STRAIN RELIEF DIMENSIONS



Entry Size	A Max		B Max		øC Max		Cable Range			
	in	mm	in	mm	in	mm	Min*	mm	Max	mm
04	.780	19.8	.957	24.3	.755	19.2	.125	3.2	.312	7.9
06	.780	19.8	1.145	29.1	.942	23.9	.250	6.4	.437	11.1
08	.780	19.8	1.332	33.8	1.067	27.1	.312	7.9	.562	14.3
10	.780	19.8	1.332	33.8	1.192	30.3	.350	8.9	.625	15.9
12	.811	20.6	1.551	39.4	1.380	35.1	.500	12.7	.750	19.1
16	.905	23.0	1.770	45.0	1.535	39.0	.625	15.9	.937	23.8
20	1.092	27.7	2.113	53.7	1.848	46.9	.875	22.2	1.250	31.8
24	1.124	28.5	2.363	60.0	2.255	57.3	1.000	25.4	1.375	34.9
28	1.399	35.5	2.770	70.4	2.505	63.6	1.250	31.8	1.625	41.3
32	1.399	35.5	3.020	76.7	2.755	70.0	1.437	36.5	1.875	47.6

* Not applicable to Style D Nut

DIMENSIONS AND MAXIMUM ENTRY SIZE



Shell Size Code	Shell Size	A Class 2B	B Class 2B	øC Max in	øC Max mm	øD Max in	øD Max mm	Max Entry Size (1)
05	10S	0.5000-28 UNEF	0.5625-24 UNEF	.724	18.4	.687	17.4	04
08	10SL	0.5625-24 UNEF	0.6250-24 UNEF	.724	18.4	.687	17.4	06
11	12, 12S	0.6250-24 UNEF	0.6875-24 UNEF	.848	21.5	.812	20.6	06
14	14, 14S	0.7500-20 UNEF	N/A	.974	24.7	N/A	N/A	10
15	16, 16S	0.8750-20 UNEF	N/A	1.102	28.0	N/A	N/A	10
16	18	1.0000-20 UNEF	N/A	1.220	31.0	N/A	N/A	12
17	20	1.1250-18 UNEF	1.1250-24 UNS	1.343	34.1	1.312	33.3	16
20	22	1.2500-18 UNEF	N/A	1.343	34.1	N/A	N/A	16
21	24	1.3750-18 UNEF	N/A	1.468	37.3	N/A	N/A	20
22	28	1.6250-18 UNEF	N/A	1.593	40.5	N/A	N/A	24
23	32	1.8750-16 UN	1.90625-18 UNS	2.125	54.0	2.062	52.4	28
26	36	2.1250-16 UN	2.0625-16 UNS 2.0625-20 UNEF 2.1250-18 UNS	2.375	60.3	2.312	58.7	28
31	40	2.3750-16 UN	2.3125-16 UNS	2.625	66.7	2.562	65.1	32

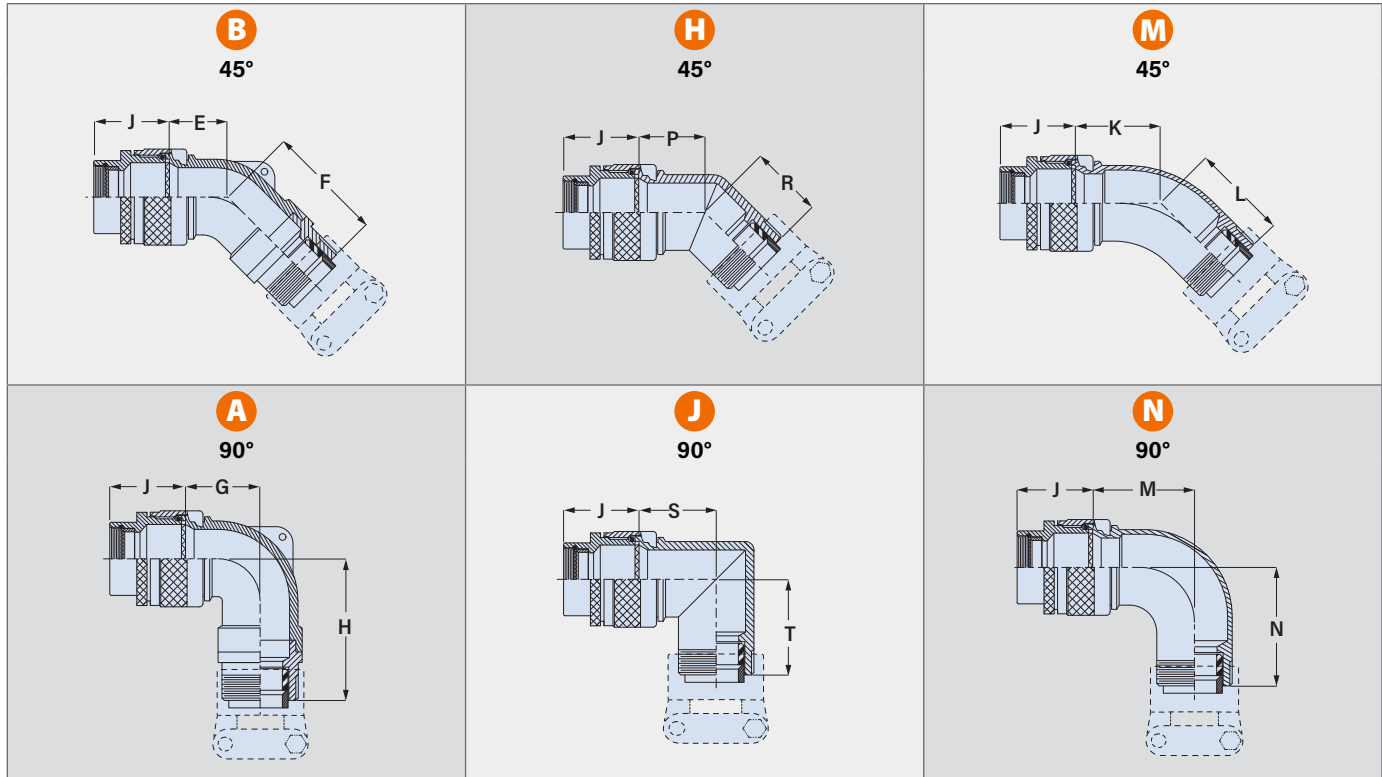
Notes
1) "Max Entry Size" applies only to straight profile backshells. If the selected entry size is larger than the size shown in the table, a Style 2 adapter will be included. The minimum length code increases from 3 (1 1/2 inches) to 4 (2 inches).



Series 37 Environmental Backshells

for AS50151 Solder Connectors

370B*002 Backshell, Environmental, Direct Coupling



Cable Entry	E Max		F Max		G Max		H Max		K Max		L Max		M Max		N Max		P Max		R Max		S Max		T Max	
	in	mm	in	mm	in	mm	in	mm	in	mm	in	mm	in	mm	in	mm	in	mm	in	mm	in	mm	in	mm
04	.567	14.4	1.399	35.5	.636	16.2	1.412	35.9	.861	21.9	1.181	30.0	1.250	31.8	1.570	39.9	.688	17.5	1.059	26.9	.870	22.1	1.239	31.5
06	.630	16.0	1.462	37.1	.710	18.0	1.532	38.9	.911	25.8	1.231	31.3	1.375	34.9	1.695	43.1	.705	17.9	1.089	27.7	.920	23.4	1.309	33.2
08	.692	17.6	1.524	38.7	.731	18.6	1.552	39.4	.965	27.0	1.285	32.6	1.500	38.1	1.820	46.2	.732	18.6	1.109	28.7	.980	24.9	1.369	34.8
10	.755	19.2	1.957	49.7	.825	21.0	1.962	49.8	1.014	29.8	1.334	33.9	1.625	41.3	1.945	49.4	.732	18.6	1.109	28.7	.980	24.9	1.369	34.8
12	.848	21.5	2.067	52.5	.988	25.1	2.052	52.1	1.064	27.0	1.384	35.2	1.750	44.5	2.070	52.6	.773	19.6	1.139	28.9	1.080	27.4	1.449	36.8
16	1.036	26.3	2.254	57.3	1.087	27.6	2.227	56.6	1.172	37.7	1.492	37.9	2.000	50.8	2.320	58.9	.823	20.6	1.209	30.7	1.200	30.5	1.599	40.6
20	1.130	28.7	2.463	62.6	1.325	33.7	2.395	60.8	1.325	33.7	1.645	41.8	2.375	60.3	2.695	68.5	1.041	26.4	1.379	34.9	1.480	37.6	1.839	46.7
24	1.255	31.9	2.503	63.6	1.337	34.0	2.548	64.7	1.325	33.7	1.645	41.8	2.375	60.3	2.695	68.5	1.092	27.7	1.419	36.0	1.610	40.9	1.929	49.0
28	1.317	33.5	2.598	66.0	1.827	46.4	2.798	71.1	1.428	36.3	1.748	44.4	2.625	66.7	2.945	74.8	1.138	28.9	1.469	37.3	1.720	43.7	2.039	51.8
32	1.348	34.2	2.813	71.5	2.027	51.5	2.818	71.6	N/A	N/A	N/A	N/A	N/A	N/A	N/A	N/A	1.184	30.1	1.509	38.3	1.830	46.5	2.149	54.6

Size Code	Shell Size	J Max	
		in	mm
05	10S	1.25	31.8
08	10SL	1.25	31.8
11	12, 12S	1.25	31.8
14	14, 14S	1.25	31.8
15	16, 16S	1.56	39.6
16	18	1.56	39.6
17	20	1.56	39.6
20	22	1.56	39.6
21	24	1.56	39.6
22	28	1.56	39.6
23	32	1.75	44.5
26	36	1.75	44.5
40	40	2.19	55.6