

# Series 36 Strain Relief Backshells

for MIL-DTL-38999 Series I/II Connectors

## 360F\*017 Backshell, Strain Relief, Qwik-Clamp®



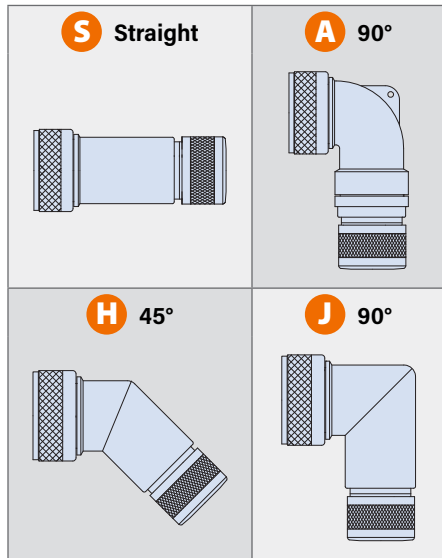
- No exposed screws
- High vibration
- NASA approved cable clamp

**Screwless cable clamp. Self-locking.** 360F\*017 backshell fits MIL-DTL-38999 Series I and II connectors. Rotate clamp nut to tighten internal cable clamp. Clamp nut has anti-rotation device. Coupling nut has anti-decoupling mechanism providing audible detented coupling and preventing backoff under high vibration. Non-environmental. Adapter, elbows, coupling nut and clamp nut are aluminum, internal clamp components are thermoplastic.

**Adapter Code F**

This accessory fits these connectors:  
MIL-DTL-38999 Series I and Series II

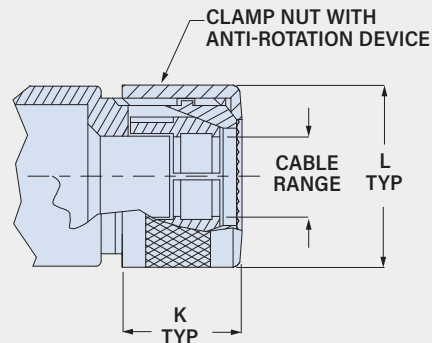
### PROFILES



PART NUMBER		360FS017	C	18	14	6					
Base P/N	Base Part No.	Profile									
	360FS017	S	Straight								
	360FA017	A	90° Elbow								
	360AH017	H	45° Cut/Weld								
	360AJ017	J	90° Cut/Weld								
Material/Finish	C	Alum/ Black Anodize									
	M	Alum/ Electroless Nickel									
	MT	Alum/ Nickel-PTFE									
	NF	Alum/ Olive Drab Cadmium									
	ZR	Alum/ Black Zinc-Nickel									
	TZ	Alum/ Tin-Zinc									
Shell Size	Shell Size										
	38999 Series I	9	11	13	15	17	19	21	23	25	
38999 Series II	8	10	12	14	16	18	20	22	24		
	Size Code	08	10	12	14	16	18	20	22	24	
Entry Size	See Table 1										
Length	3	1.5 inches									
	4	2.0 inches									
	6	3.0 inches									
	8	4.0 inches									
	Applies to Profile S only. in 1/2 inch increments.										

TABLE 1: ENTRY SIZE

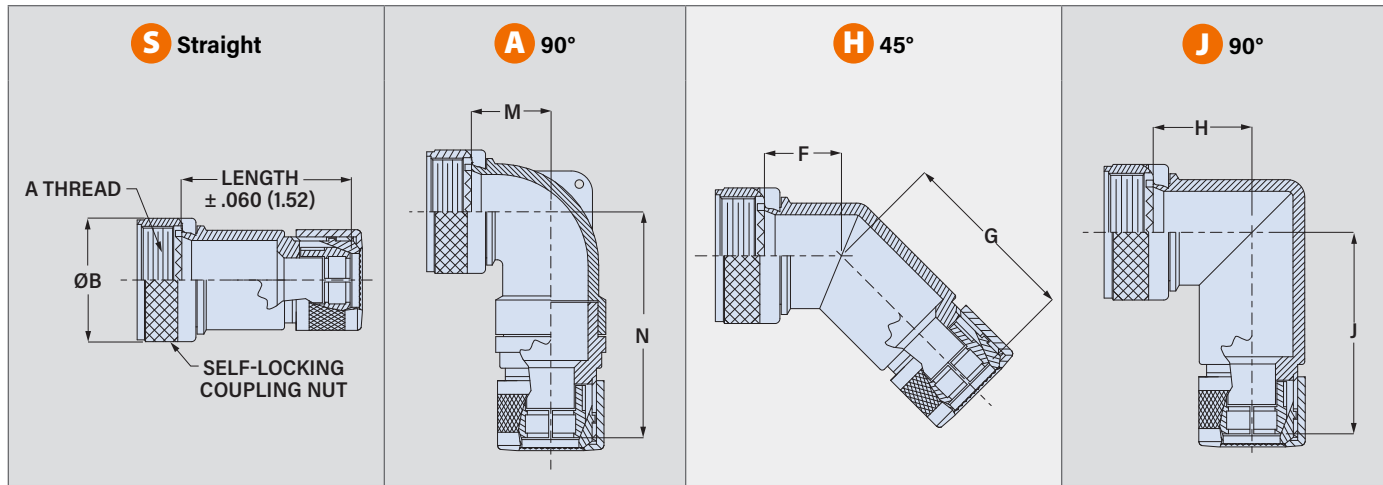
Entry Size	Cable Range				K Max in	K Max mm	L Max in	L Max mm	Shell Size
	Min in	Max in	Min mm	Max mm					
08	.128	.250	3.3	6.4	.530	13.5	.720	18.3	08-24
12	.233	.375	5.9	9.5	.710	18.0	.910	23.1	10-24
16	.358	.500	9.1	12.7	.720	18.3	1.090	27.7	12-24
20	.482	.625	12.2	15.9	.720	18.3	1.220	31.0	14-24
24	.545	.750	13.8	19.1	.660	16.8	1.340	34.0	16-24
28	.670	.875	17.0	22.2	.790	20.1	1.530	38.9	18-24
32	.795	1.000	20.2	25.4	.870	22.1	1.720	43.7	22-24
36	.889	1.125	22.6	28.6	.830	21.1	1.850	47.0	24



# Series 36 Strain Relief Backshells

for MIL-DTL-38999 Series I/II Connectors

## 360F\*017 Backshell, Strain Relief, Qwik-Clamp®



Shell Size	A Thread Class 2B	øB Max in	mm	F Max in	mm	G Max in	mm	H Max in	mm	J Max in	mm	M Max in	mm	N Max in	mm	Max Entry Size
08	0.4375-28 UNEF	.860	21.8	.795	20.2	1.39	35.3	.906	23.0	1.50	38.1	.655	16.6	1.64	41.7	08
10	0.5625-24 UNEF	.970	24.6	.820	20.8	1.42	36.1	.966	24.5	1.56	39.6	.750	19.1	1.76	44.7	12
12	0.6875-24 UNEF	1.110	28.2	.844	21.4	1.44	36.6	1.026	26.1	1.62	41.1	.765	19.4	1.78	45.2	16
14	0.8125-20 UNEF	1.210	30.7	.861	21.9	1.47	37.3	1.076	27.3	1.69	42.9	.855	21.7	1.85	47.0	16
16	0.9375-20 UNEF	1.350	34.3	.888	22.6	1.49	37.8	1.136	28.9	1.75	44.5	1.040	26.4	1.94	49.3	20
18	1.0625-18 UNEF	1.460	37.1	.904	23.0	1.50	38.1	1.176	29.9	1.77	45.0	1.130	28.7	2.11	53.6	24
20	1.1875-18 UNEF	1.600	40.6	.929	23.6	1.52	38.6	1.236	31.4	1.83	46.5	1.130	28.7	2.11	53.6	28
22	1.3125-18 UNEF	1.700	43.2	.956	24.3	1.56	39.6	1.296	32.9	1.91	48.5	1.280	32.5	2.22	56.4	32
24	1.4375-18 UNEF	1.840	46.7	.979	24.9	1.59	40.4	1.356	34.4	1.98	50.3	1.280	32.5	2.22	56.4	36