

Series 36 Strain Relief Backshells

for AS50151 Crimp, M26482 Series II, M83723 Series III, AS95234

360A*017 Backshell, Strain Relief, Qwik-Clamp®



Self-Locking

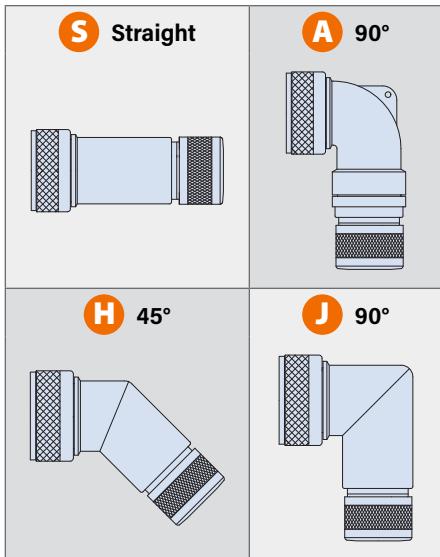


- No exposed screws
- High vibration
- NASA approved cable clamp

Screwless cable clamp. Self-locking. 360A*017 backshell fits AS50151 crimp (MS3450), AS95234, MIL-DTL-26482 Series II, and MIL-DTL-83723 Series III connectors. Rotate clamp nut to tighten internal cable clamp. Clamp nut has anti-rotation device. Coupling nut has anti-decoupling mechanism providing audible detented coupling and preventing backoff under high vibration. Non-environmental. Adapter, elbows, coupling nut and clamp nut are aluminum, internal clamp components are thermoplastic. -65° to +200° C.

Adapter Code A
AS50151 crimp, AS95234, MIL-DTL-26482 Ser. II, MIL-DTL-83723 Ser. III

PROFILES

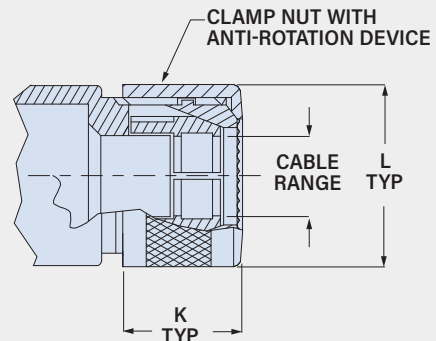


PART NUMBER

	360AS017	M	18	16	6
Base P/N	Base Part No.	Profile			
	360AS017	S Straight			
	360AA017	A 90° Elbow			
	360AH017	H 45° Cut/Weld			
	360AJ017	J 90° Cut/Weld			
Material/Finish	C Alum/ Black Anodize	M Alum/ Electroless Nickel			
	MT Alum/ Nickel-PTFE	NF Alum/ Olive Drab Cadmium			
	ZR Alum/ Black Zinc-Nickel	TZ Alum/ Tin-Zinc			
Shell Size	08 10 12 14 16 18 20 22 24				
Entry Size	See Table 1				
Length	3 1.5 inches	4 2.0 inches	6 3.0 inches	8 4.0 inches	Applies to Profile S only. in 1/2 inch increments.

TABLE 1: ENTRY SIZE

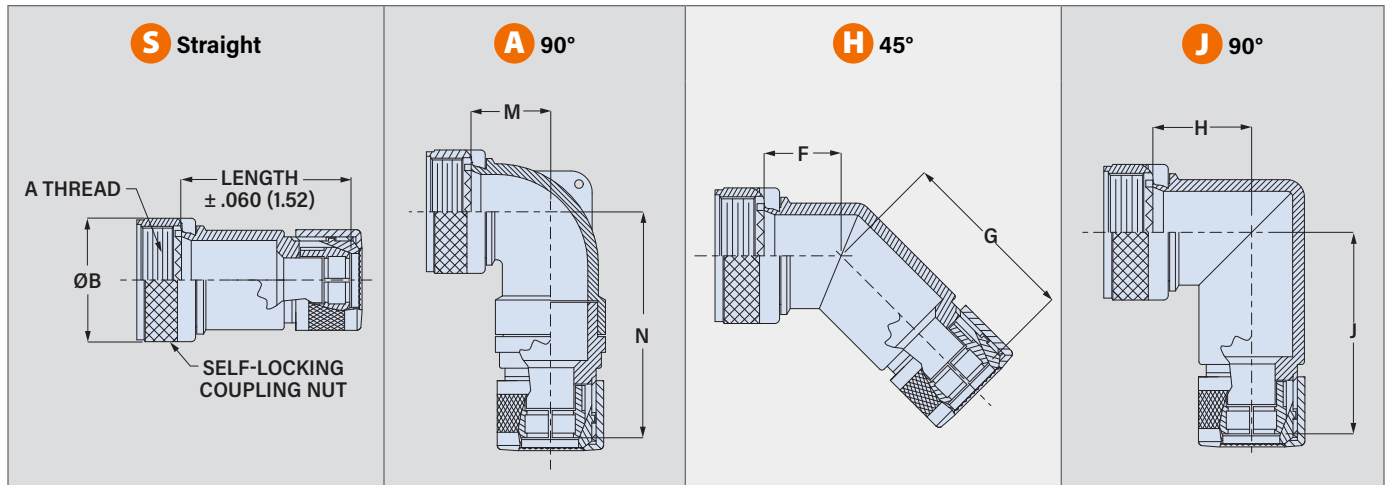
Entry Size	Cable Range				K Max in	K Max mm	L Max in	L Max mm	Shell Size
	Min in	Max in	Min mm	Max mm					
08	.128	.250	3.3	6.4	.530	13.5	.720	18.3	08-24
12	.233	.375	5.9	9.5	.710	18.0	.910	23.1	10-24
16	.358	.500	9.1	12.7	.720	18.3	1.090	27.7	12-24
20	.482	.625	12.2	15.9	.720	18.3	1.220	31.0	16-24
24	.545	.750	13.8	19.1	.660	16.8	1.340	34.0	18-24
28	.670	.875	17.0	22.2	.790	20.1	1.530	38.9	20-24
32	.795	1.000	20.2	25.4	.870	22.1	1.720	43.7	22-24
36	.889	1.125	22.6	28.6	.830	21.1	1.850	47.0	24



Series 36 Strain Relief Backshells

for AS50151 Crimp, M26482 Series II, M83723 Series III, AS81703 Series 3, AS95234

360A*017 Backshell, Strain Relief, Qwik-Clamp®



Shell Size	A Thread Class 2B	ØB Max		F Max		G Max		H Max		J Max		M Max		N Max		Max Entry Size
		in	mm	in	mm	in	mm	in	mm	in	mm	in	mm	in	mm	
08	0.500-20 UNF	.69	17.5	.795	20.2	1.39	35.3	.906	23.0	1.50	38.1	.655	16.6	1.64	41.7	08
10	0.625-24 UNEF	.82	20.8	.820	20.8	1.42	36.1	.966	24.5	1.56	39.6	.750	19.1	1.76	44.7	12
12	0.750-20 UNEF	.94	23.9	.844	21.4	1.44	36.6	1.026	26.1	1.62	41.1	.765	19.4	1.78	45.2	16
14	0.875-20 UNEF	1.06	26.9	.861	21.9	1.47	37.3	1.076	27.3	1.69	42.9	.855	21.7	1.85	47.0	16
16	1.000-20 UNEF	1.17	29.7	.888	22.6	1.49	37.8	1.136	28.9	1.75	44.5	1.040	26.4	1.94	49.3	20
18	1.0625-18 UNEF	1.46	37.1	.904	23.0	1.50	38.1	1.176	29.9	1.77	45.0	1.130	28.7	2.11	53.6	24
20	1.1875-18 UNEF	1.60	40.6	.929	23.6	1.52	38.6	1.236	31.4	1.83	46.5	1.130	28.7	2.11	53.6	28
22	1.3125-18 UNEF	1.70	43.2	.956	24.3	1.56	39.6	1.296	32.9	1.91	48.5	1.280	32.5	2.22	56.4	32
24	1.4375-18 UNEF	1.84	46.7	.979	24.9	1.59	40.4	1.356	34.4	1.98	50.3	1.280	32.5	2.22	56.4	36