

# Series 31 Shrink Boot Adapters

for Series 80 Mighty Mouse Connectors

## 310MS034 Shrink Boot Adapter, Direct Coupling

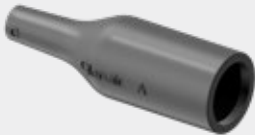


**Adapter Code M**

This accessory fits Series 80 Mighty Mouse Connectors

### SHRINK BOOT

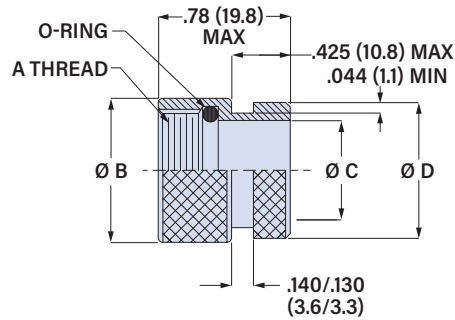
Optional heatshrink boot provides cable strain relief and environmental protection. Type 1 high-performance semi-rigid elastomer resists fuels and oils and withstands temperature extremes.



**Direct coupling. Low profile.** 310MS034 shrink boot adapter fits Glenair Series 80 Mighty Mouse connectors. Adapter has groove for lipped shrink boot. Supplied as adapter only or as kit with shrink boot. Aluminum or stainless steel, silicone O-ring.

### PART NUMBER

	<b>310MS034</b>	<b>NF</b>	<b>14</b>	<b>T</b>
<b>Base P/N</b>	<b>310MS034</b>			
<b>Material/Finish</b>	<b>M</b> Alum/ Electroless Nickel <b>MT</b> Alum/ Nickel-PTFE <b>NF</b> Alum/ Olive Drab Cadmium <b>ZR</b> Alum/ Black Zinc-Nickel <b>TZ</b> Alum/ Tin-Zinc <b>ZI</b> SST/ Passivated			
<b>Shell Size</b>	<b>05 06 07 08 09 10 11 12 13 14</b> See table			
<b>Shrink Boot</b>	Omit if not required <b>T</b> Shrink Boot included			



Shell Size Code	Shell Size Series		A Thread UNEF-2B	Ø B		Ø C		Ø D		Shrink Boot Part No.
	800, 801, 803, 804	Series 805		±.015 (0.4) in	mm	±.015 (0.4) in	mm	±.015 (0.4) in	mm	
<b>05</b>	5	N/A	0.250-32	.320	8.1	.188	4.8	.375	9.5	<b>770-003S111</b>
<b>06</b>	6	N/A	0.3125-32	.440	11.2	.250	6.4	.437	11.2	<b>770-003S112</b>
<b>11</b>	N/A	8	0.3750-32	.500	12.7	.280	7.1	.437	11.2	<b>770-003S112</b>
<b>07</b>	7	9	0.4375-28	.570	14.5	.312	7.9	.500	12.7	<b>770-003S112</b>
<b>08</b>	8	10	0.500-28	.625	15.9	.375	9.5	.562	14.3	<b>770-003S112</b>
<b>09</b>	9	11	0.5625-24	.690	17.5	.438	11.2	.625	15.9	<b>770-001S104</b>
<b>10</b>	10	12	0.625-24	.750	19.1	.500	12.7	.687	17.4	<b>770-001S104</b>
<b>12</b>	12, 13	N/A	0.6875-24	.820	20.8	.562	14.3	.750	19.1	<b>770-001S104</b>
<b>13</b>	N/A	15	0.750-20	.880	22.4	.625	15.9	.812	20.6	<b>770-001S104</b>
<b>14</b>	14, 15, 16, 17	18, 19	0.9375-20	1.070	27.2	.812	20.6	1.000	25.4	<b>770-001S105</b>