



Series 31 Shrink Boot Adapters

for MIL-DTL-38999 Series III and IV Connectors

310H*045 Shrink Boot Adapter, Composite



Self-Locking

Adapter Code H

This accessory fits these connectors:
MIL-DTL-38999 Series III and Series IV

SHRINK BOOT

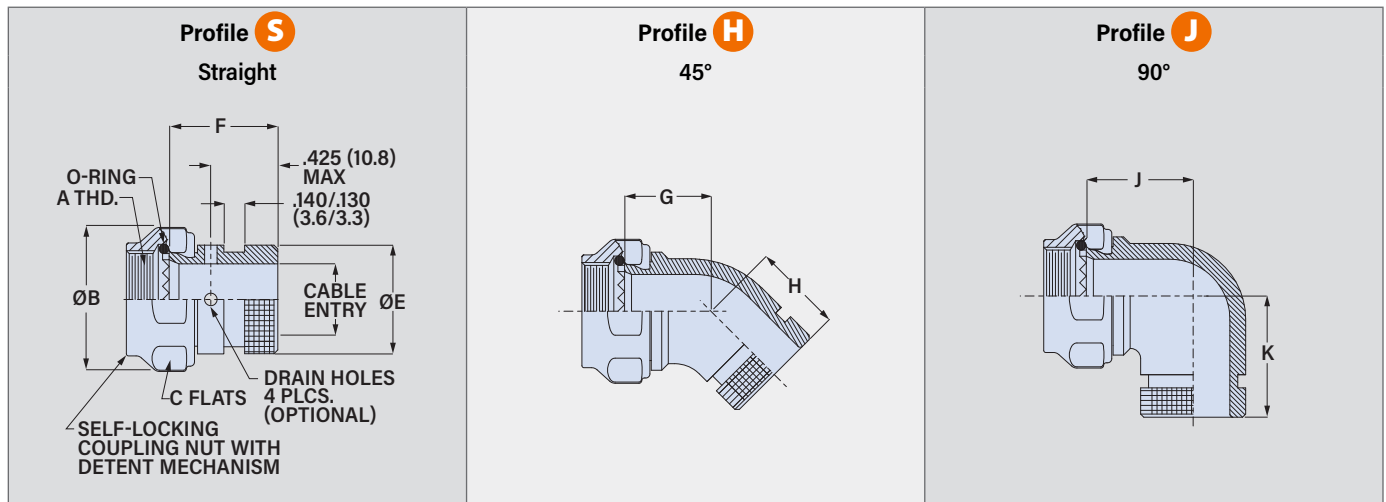
Optional heatshrink boot provides cable strain relief and environmental protection. Type 1 high-performance semi-rigid elastomer resists fuels and oils and withstands temperature extremes.



Corrosion-proof composite material. 310H*045 composite shrink boot adapter fits MIL-DTL-38999 Series III and IV connectors. Adapter has groove for lipped shrink boot. Anti-decoupling mechanism provides audible detented coupling and prevents backoff under high vibration. Supplied as adapter only or as kit with shrink boot. Glass-filled high performance thermoplastic, silicone O-ring.

PART NUMBER

		310HS045	XB	17	D	T				
Base P/N	Base Part No.	310HS045	S	Profile						
	310HT045	H	Straight							
	310HW045	J	45°							
Finish	XB	No Plating (Black Color)								
	XM	Electroless Nickel								
	XMT	Nickel-PTFE								
	XW	Olive Drab Cadmium								
	XZR	Black Zinc-Nickel								
Shell Size	Shell Size	9	11	13	15	17	19	21	23	25
	Size Code	09	11	13	15	17	19	21	23	25
Drain Holes	<i>Omit if not required</i>		<i>O-ring not supplied with drain hole option</i>							
	D	Drain Holes								
Shrink Boot	<i>Omit if not required</i>									
	T	Shrink Boot included								



Shell Size	A Thread	øB Max		C Hex Flats		øE Max		F Max		G Max		H ±.06(1.5)		J Max		K ±.06(1.5)		Cable Entry Min		Shrink Boot P/N
		in	mm	in	mm	in	mm	in	mm	in	mm	in	mm	in	mm	in	mm			
9 (A)	M12X1.0-6H	.86	21.8	.750	19.1	.533	13.5	.940	23.9	.78	19.8	1.049	26.6	.74	18.8	1.159	29.4	.250	6.4	770-003S102
11 (B)	M15X1.0-6H	.98	24.9	.875	22.2	.605	15.4	.940	23.9	.81	20.6	1.075	27.4	.80	20.3	1.221	31.0	.355	9.0	770-001S103
13 (C)	M18X1.0-6H	1.16	29.5	1.000	25.4	.774	19.7	.940	23.9	.81	20.6	1.100	27.9	.86	21.8	1.283	32.6	.491	12.5	770-001S103
15 (D)	M22X1.0-6H	1.28	32.5	1.125	28.6	.838	21.3	.940	23.9	.82	20.8	1.126	28.6	.93	23.6	1.346	34.2	.565	14.4	770-001S103
17 (E)	M25X1.0-6H	1.41	35.8	1.250	31.8	.963	24.5	.940	23.9	.84	21.3	1.146	29.1	.99	25.1	1.409	35.8	.690	17.5	770-001S104
19 (F)	M28X1.0-6H	1.52	38.6	1.375	34.9	1.042	26.5	.940	23.9	.85	21.6	1.165	29.6	1.05	26.7	1.471	37.4	.769	19.5	770-001S104
21 (G)	M31X1.0-6H	1.64	41.7	1.500	38.1	1.127	30.9	.940	23.9	.88	22.4	1.189	30.2	1.12	28.4	1.533	38.9	.894	22.7	770-001S106
23 (H)	M34X1.0-6H	1.77	45.0	1.625	41.3	1.355	34.4	.940	23.9	.92	23.4	1.230	31.2	1.18	30.0	1.596	40.5	1.019	25.9	770-001S107
25 (J)	M37X1.0-6H	1.89	48.0	1.750	44.5	1.443	36.7	.940	23.9	.97	24.6	1.256	31.9	1.24	31.5	1.659	42.1	1.134	28.8	770-001S107