

Receptacle Connector, In-Line

In-line receptacles are used on free-hanging cords. Receptacles feature non-removable solder cup contacts for up to #20 AWG wire. Contacts are plated with hard gold. Stainless steel connector body. Shell is plated with black chromate finish. Silicone face seal. Open face pressure rating 0.4 bar. 5000 cycles mating durability. Shrouded receptacles are easier to mate and also provide added protection to mated connectors.

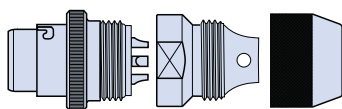


Unshrouded In-Line Receptacle



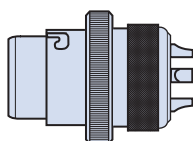
Shrouded In-Line Receptacle

* **Figure A**

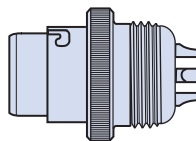


Unshrouded In-Line Receptacle with two pieces Shielded Backshell

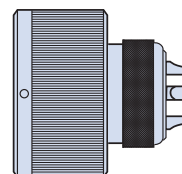
Style 1



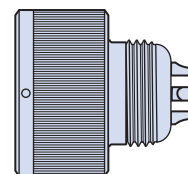
Style 2



Style 3



Style 4



- 1** Receptacle with knurl for use with Glenair 809-060 heat shrinkable boots. Boots ordered separately. Maximum weight 16 grams.
- 2** Receptacle with M14 x 1 accessory threads for use with adapters. Maximum weight 16 grams.
- 3** Shrouded receptacle for in-line cable mounting. Stainless steel shroud provides additional support and protection to mated connectors. With knurl for use with Glenair 809-060 heat shrinkable boots. Boots ordered separately. Maximum weight 14 grams.
- 4** Shrouded receptacle for in-line cable mounting. Stainless steel shroud provides additional support and protection to mated connectors. With M14 x 1 accessory threads for use with adapters. Maximum weight 14 grams.

7 Pin in-Line Receptacle Connector

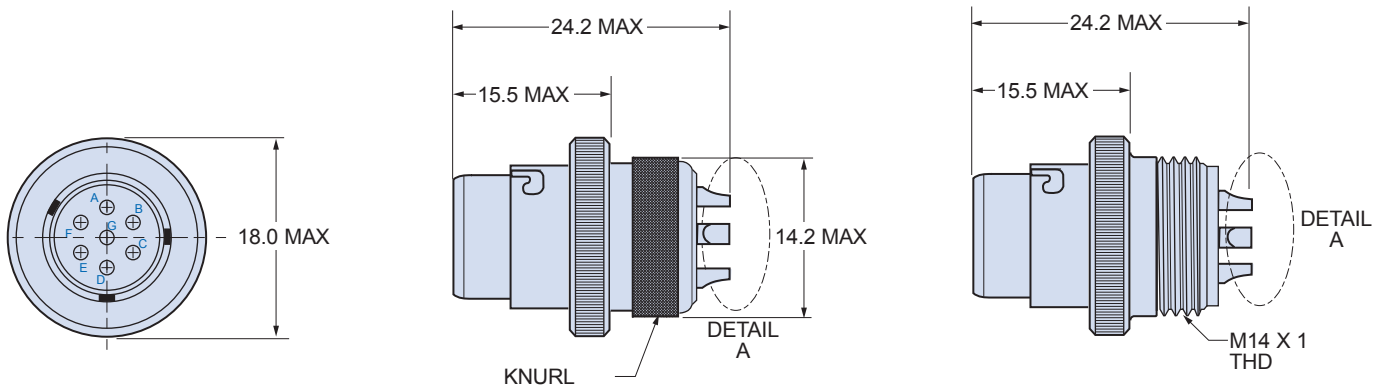
Body Style	No. of Contacts	Polarizing Position 1 (White)	Polarizing Position 2 (Yellow)	Polarizing Position 3 (Green)	Polarizing Position 4 (Pink)
Fig. 1	7	CB07D1L0	CB07D2L0	CB07D3L0	CB07D4L0
Fig. 2	7	CBO7DF1L0	CBO7DF2L0	CBO7DF3L0	CBO7DF4L0
Fig. 3	7	CBO7KG1NL0N0	CBO7KG2NL0N0	CBO7KG3NL0N0	CBO7KG4NL0N0
Fig. 4	7	CBO7K1NL0N0	CBO7K2NL0N0	CBO7K3NL0N0	CBO7K4NL0N0

10 Pin In-Line Receptacle Connector

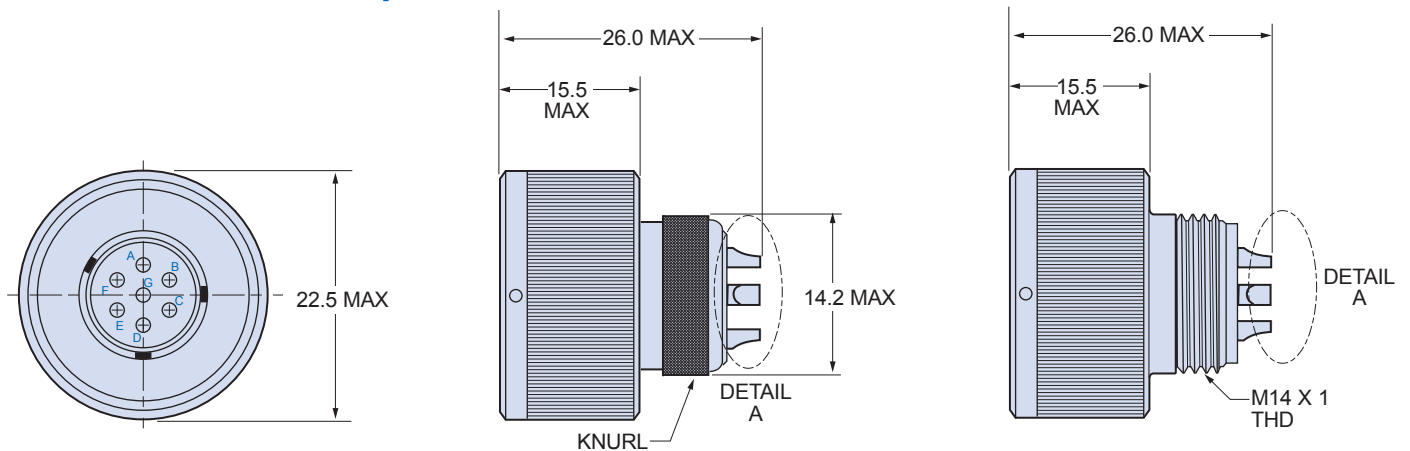
Body Style	No. of Pins	Polarizing Position 1 (White)	Polarizing Position 2 (Blue)	Polarizing Position 3 (Violet)	Polarizing Position 4 (Chrome Yellow)	Polarizing Position 5 (Dark Red)
Fig. A	10	CB10D1L0 *	CB10D2L0	CB10D3L0	CB10D4L0	CB10D5L0
Fig. 2	10	CB10DF1L0	CB10DF2L0	CB10DF3L0	CB10DF4L0	CB10DF5L0
Fig. 3	10	CB10KG1NL0N0	CB10KG2NL0N0	CB10KG3NL0N0	CB10KG4NL0N0	CB10KG5NL0N0
Fig. 4	10	CB10K1NL0N0	CB10K2NL0N0	CB10K3NL0N0	CB10K4NL0N0	CB10K5NL0N0

All dimensions in millimeters (mm). Information subject to change without notice.

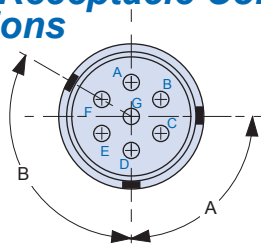
In-Line Unshrouded Receptacle Dimensions



In-Line Shrouded Receptacle Dimensions

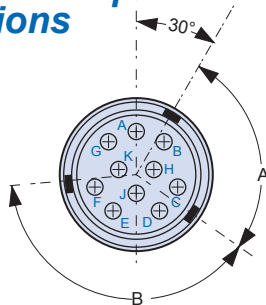


7 Pin Receptacle Connector Mating Face and Key Positions



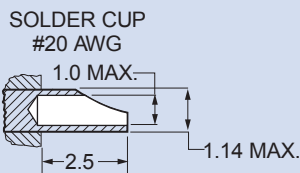
	Position A	B	Color Code
1	90°	120°	White
2	105°	130°	Yellow
3	110°	135°	Green
4	100°	165°	Pink

10 Pin Receptacle Connector Mating Face and Key Positions



	Position A	B	Color Code
N	95°	140°	White
W	85°	115°	Blue
X	100°	105°	Violet
Y	110°	120°	Chrome Yellow
Z	80°	145°	Dark Red

Detail A



All dimensions in millimeters (mm). Information subject to change without notice.

CAGE Code 06324

Printed in U.S.A.