

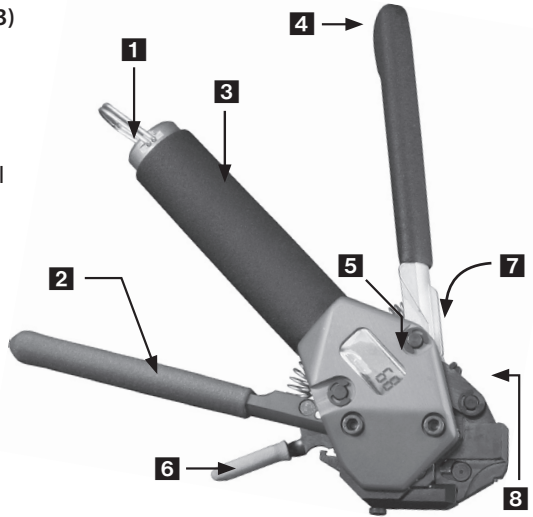


**Band-Master® ATS
Micro-Max Banding Tool
601-129
Operating Instructions**



Band-Master® ATS Micro-Max Overview

- 1 Calibration Access Plug** (See Note 3)
- 2 Tensioning Lever:**
Squeeze with short gentle strokes to tighten band to the proper tension.
- 3 Handle:**
Final full stroke of Tensioning Lever will lock lever to handle.
- 4 Cut-Off Lever:**
Squeeze to lock band buckle and trim excess band material.
- 5 Calibration Counter**
- 6 Band Insertion and Release Lever:**
Depress lever to insert or release band from tool.
- 7 Serial Number**
- 8 Tension Release Lever**



NOTES:

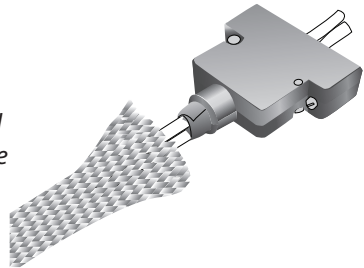
1. Use only genuine Band-Master® ATS bands. Other manufacturer's bands may damage tool.
2. Use only Micro-Max .120" wide bands with 601-129 tool.
3. Calibrate the Band-Master® Micro-Max Banding tool to 132 ±3 lbs.

Shield Termination Process

Step 1

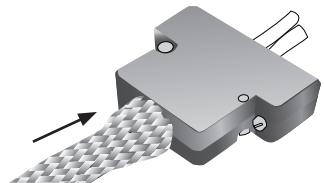
Prepare cable braid for termination process

NOTE: banding must occur on an unfixtured cable assembly. Attaching a band to a firmly clamped cable will affect the applied forces and will also interfere with the cut-off operation. The cut-off operation causes a rotation of the band termination in order to lock the band.



Step 2

Push braid forward over banding platform. Milk braid as required to remove slack and insure a snug fit around the shield termination area.



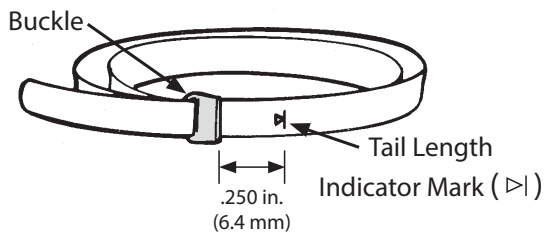
Step 3

Double-coil the band prior to use:

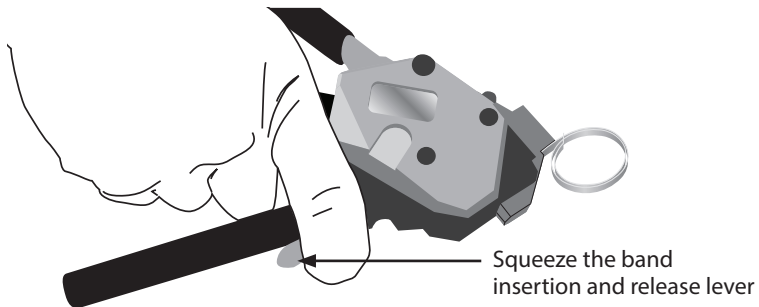
IMPORTANT: Due to connector/adaptor circumference, it may be necessary to double-coil the band in place around the cable or retention area.

A. Insert leading edge of band through the buckle slot twice. (Bands *must* be double-coiled.)

B. Tighten the coil until the indicator mark (▷|) is approximately .250 inch (6.4 mm) shy of the buckle slot (see illustration below). This will ensure sufficient band tail length for insertion into tool.

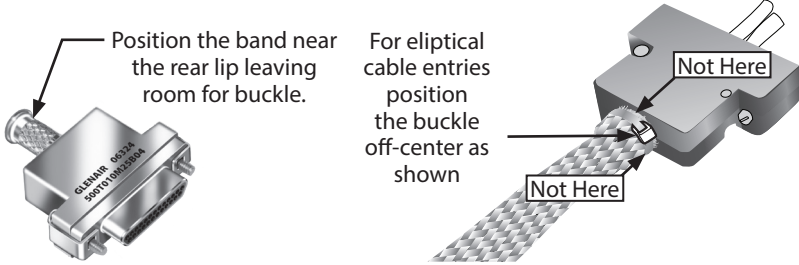
**Step 4**

Depress the band insertion and release lever (6), and insert the band into the front end opening of the tool, with the loop positioned outward hold tool as illustrated, cut-off lever on top above thumb.



Step 5

The band termination area on all backshells is wider than the band. Position the band near the rear lip of the banding platform, allowing room for buckle. For elliptical cable entries position the buckle off center of the peak of the circle. Failure to follow these guidelines will result in poor performance.

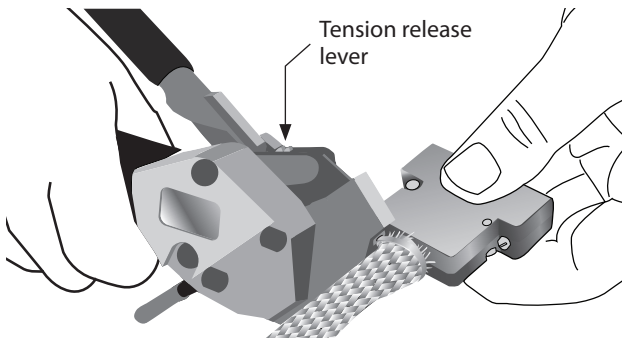


Step 6

Contract the band with the tensioning lever (2) using short, even strokes, as the band is firmly secured on termination area pull a full stroke to lock handle against the tool body indicating the band is compressed to the proper tension.

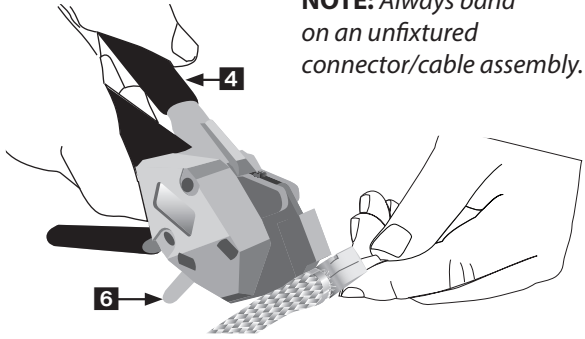
NOTE: *Overly rapid tightening of the band may result in uneven compression. If alignment of the band and shield is unsatisfactory, tension can be relaxed by pulling up tension lever (2) and pushing the tension release lever (8) forward on top of the tool. Make adjustments as necessary and finish tightening with tensioning lever (2) as described above. Instructional videos are available on the Glenair website:*

www.glenair.com/banding/



Step 7

Complete the clamping process by depressing the cut-off lever (4), allowing band and cable to rotate slightly.



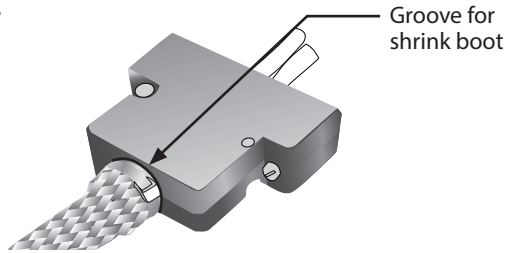
NOTE: Always band on an unfixtured connector/cable assembly.

Step 8

Pull up the release lever (6) to remove excess band for disposal.

Step 9

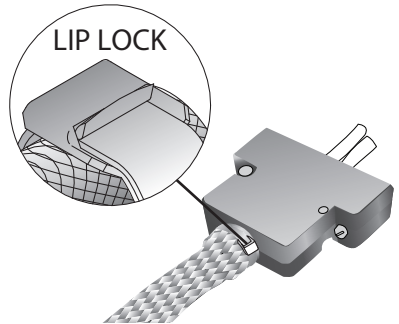
Trim away excess braid from the forward groove, particularly if a shrink boot is to be applied to the assembly.



Step 10

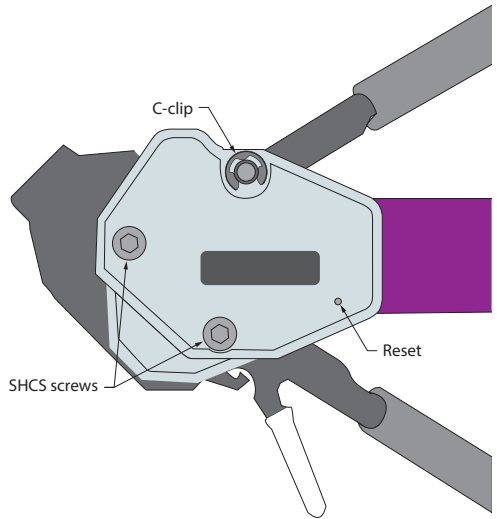
Visually inspect shield termination for problems. Correctly installed clamp must have full locking lip on all bands. If lip is damaged or missing, re-calibrate tool tension, check condition of cutter blade and knife, replace if worn or damaged.

NOTE: 1. Tool must be serviced if poor cutoff quality persists after knife and blade replacement 2. Band can be removed by lifting buckle with a screwdriver or diagonal cutters.



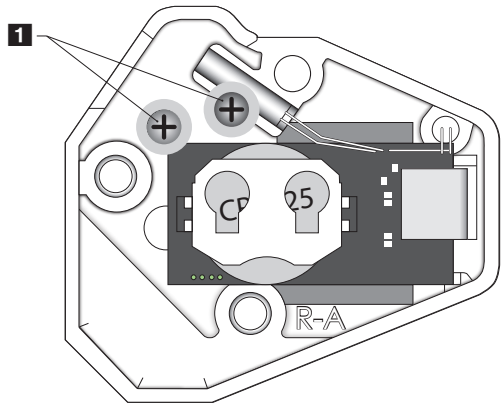
Counter Battery Replacement

1. Remove C-clip retaining washer and two SHCS screws from counter cover with 9/64 hex key.
2. Gently lift cover and counter assembly away from side of tool (do not pull wires).
3. Remove screw and washer (1) indicated on figure.
4. Pull up board, remove old battery and insert new 2025 (or equivalent) battery with (+) sign facing out (opposite to screen display).



Counter Reset

1. Using a paper clip or other small object depress button on tool body located next to LCD window.



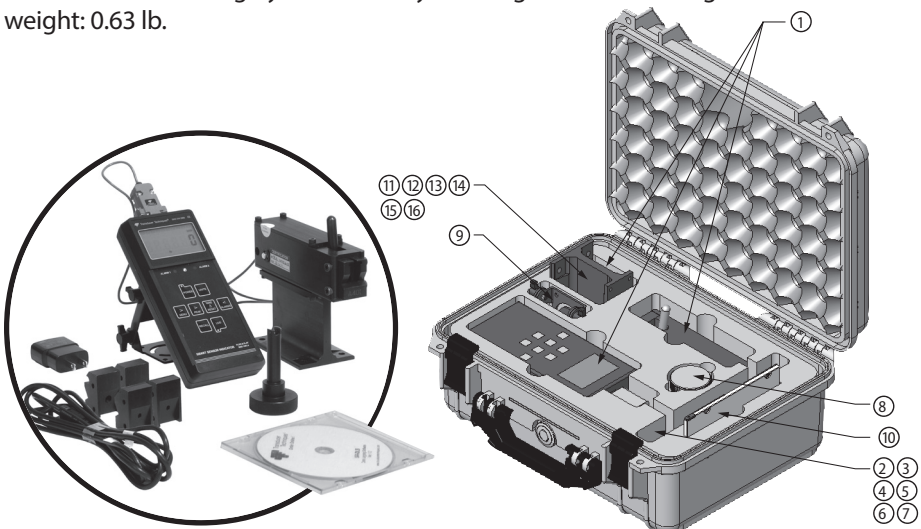
Tool Calibration

Band-Master® ATS tools are factory-calibrated and are supplied with a calibration certificate. Glenair recommends that tool calibration be checked after 500 terminations. Actual calibration interval can be determined by tool users. Glenair also provides calibration services. A portable kit is available for on-site calibration. Factory calibration value is 132 ±3 lbs.

601-200 Digital Calibration Kit For Banding Tools

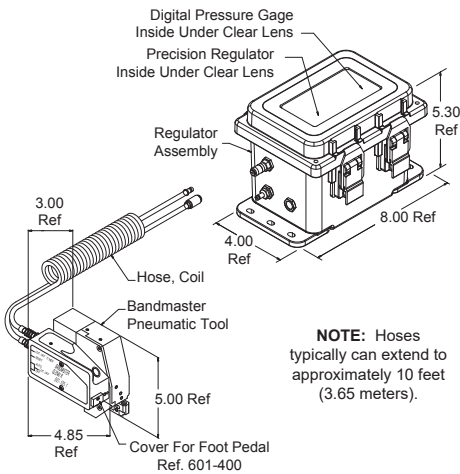
The 601-200 Digital Calibration Kit provides fast, easy, accurate calibration of all Banding Tools.

Kit includes the (1) 601-200-3 calibration device, includes meter, AC Adapter and USB cable. (2) fifty, 601-203 micro test bands. (3) fifty, 601-202 standard test bands. (4) fifty, 601-217 nano test bands. (5) 601-224 fifty slim standard test bands. (6) fifty, 601-227 Micro Slim test bands (7) 601-227 fifty Micro-Max test bands (8) 601-205 calibration adjustment key. (9) adjustable mounting bracket for meter. (10) 601-219 data logging software. (11) 601-218 tool adapter for 600-058. (12) 601-219 tool adapter for 600-067 and 601-104. (13) 601-220 tool adapter for 600-067, 601-104. (14) 601-220 tool adapter for 600-061, 600-068, and 601-105. (15) 601-223 tool adapter for 601-109, 601-110, 601-100 and 601-106. (16) 601-225 tool adapter for 601-101, 601-107, 601-122, 601-123. (17) 601-226 tool adapter for 601-108, and 601-118. Range of the calibration device is 0 to 500 lbs, and accuracy is calibrated to ±1 lb at factory. Head Unit dimensions: 6.65" long by 2.47" wide by 2.83" high. Meter dimensions: 7.50" long by 3.30" wide by 1.28" high. Head unit weight: 4.2 lb. Meter weight: 0.63 lb.

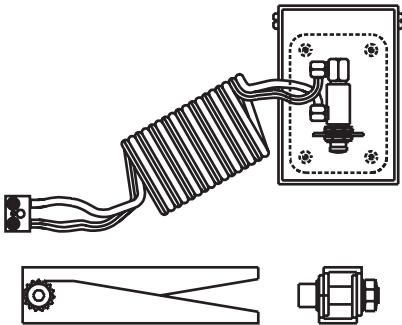


Pneumatic Tools for High Volume Production

Pneumatic **Band-Master® ATS** tools speed up band installation and reduce operator fatigue.



NOTE: Hoses typically can extend to approximately 10 feet (3.65 meters).



Band-Master® ATS Pneumatic Banding Tools

The Band-Master® ATS Pneumatic Banding Tools provide fast, easy band installation.

Weight of the tool is 2.52 lbs (1.14 Kg), control box weighs 2.74 lbs (1.24 Kg).

- 601-106** for use with Standard bands.
- 601-107** for use with Micro bands.
- 601-110** for use with Slim Std bands.
- 601-118** for use with Nano Bands
- 601-123** for use with Micro Slim Bands
- 601-130** for use with Micro-Max Bands

601-400 Foot Pedal Control for Pneumatic Banding Tools

free's both hands to help assure more accurate, reliable and faster shield terminations (included with pneumatic banding tool kits).

Tool Repair and Refurbishment

Glenair provides repair and refurbishment services for **Band-Master® ATS** tools. Typical services include calibration along with replacements of cutter knife and cut-off blade. Simply send the tool to Glenair:

ATTN: Customer Service
Glenair, Inc.
1211 Air Way
Glendale CA 91201

Band-Master® Bands

Micro-Max Band Selection				
	Length	Part Number		Accommodates Diameter
Bands	in./cm	Flat	Pre-Coiled	In./cm
Medium Micro-Max Band	8.12 (206.4)	601-700	601-701	0.88 (22.35)
Long Micro-Max Band	14.25 (361.95)	601-702	601-703	1.25 (31.75)

Micro-Max Cut-Off Blade and Knife Kit	
Description	Part Number
Micro-Max Cut-Off Blade Kit	601-329

Micro-Max: Band Tool Operation Notes

1. The counter on both the hand and pneumatic tool incrementally increases with each band cutoff cycle (resettable). Evaluation, calibration and/or repair should occur based on predetermined recommended number of band installations, as performed and recorded by counter.
2. Glenair recommends that both wire bales installed on the manual tool handle be removed so as to not interfere with tool operation during band termination process.
3. Calibration of pull force for tools is critical, all tool types are shipped with a calibration certificate. Initial interval recommendation is 500 cycles, actual interval is entirely customer dependent on frequency of use, consistent tool operation and quality of band cut and lock.

Micro-Max: Band Installation Notes

1. Glenair strongly recommends that banding occur on an unfixtured cable assembly. Attempting to band on a firmly fixed surface may affect the applied forces and interfere with the cut-off operation. The cut-off operation requires rotation of the cable assembly in order to affect a lock. Therefore, when performing the banding operation on a fixtured cable or device the operator **MUST** allow the band tool to rotate slightly as the cut-off operation is performed.
2. Operator technique while tightening the band can affect the integrity and success of band installation. For manual tools the operator should use abbreviated or partial strokes of the Tension Handle while band is being tightened against the banding platform of the connector or adapter shell. Once the stainless steel band is completely tight and conforms to the surface of the termination, the operator will then apply one full stroke of the Tension Handle. This will ensure the full calibrated force of the tool is applied while locking the Tension Handle into position.
3. Always install clamps perpendicular to the axis of the cable being terminated. When clamping irregular shaped band platforms, choose a location for the buckle that is off the peak so that it is well supported for tool operation. A properly designed backshell with a lip is essential when tensile loads are expected.
4. Do not twist or force the tool or cable assembly in any direction while installing bands.
5. The use of thinner and lighter band products requires that recommendations for band installation be followed and operator technique remain consistent.
6. Premature cut-off, due to immediate operation of the cut-off knife, will not produce the lock needed to make the band perform properly.



Visit the Glenair website for additional information on backshell assembly tools, banding tools and accessories:

www.glenair.com

Training videos on **Band-Master® ATS** termination procedures are available on the Glenair website:

<http://www.glenair.com/banding/>

Consult factory for additional recommendations for technical information on overall shields with distributed individual shields on common terminations.