

Autoshrink™ F Cold-Action Shrink Boots and Tubing



777-012/013 Lipped, Standard or Short Straight Boot

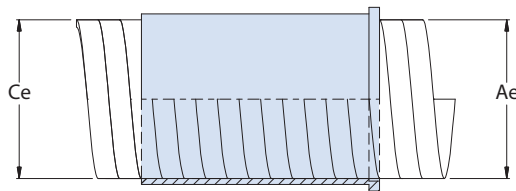


Lipped boots provide mechanical and environmental protection from damage and debris. Advanced fluid and solvent resistant Autoshrink™ F boots are suitable for immersion in jet fuel, diesel, lubricants, and solvents. Select short boots where space is a limited and a lower profile is needed. Shrink boots are RoHS compliant and flame resistant. Service temperature range is -65°C to 200°C. Shrink boots are water-tight when installed with 779-006 adhesive. Lipped boots lock into boot groove located on adapter. Choose boot size based on adapter and cable diameter.

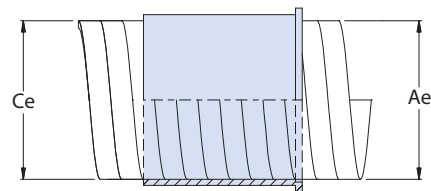
How to Order	
Sample Part Number	777 -012 S 03
Product Series	777 = Autoshrink™
Basic Number	012 = Standard lipped boot, no eyelet, Autoshrink™ F 013 = Short lipped boot, no eyelet, Autoshrink™ F
Angular Function	S = Straight
Size Code	See dimensions table

NOTES

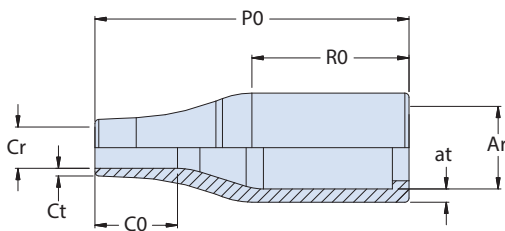
1. Autoshrink™ F adhesive 779-006 sold separately
2. Number engraved on boot
3. Material:
 - Boot: Duraelectric™ F, blue



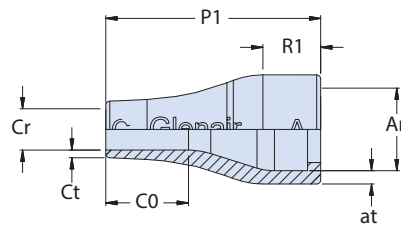
AS SUPPLIED



AS SUPPLIED



RECOVERED (-012)



RECOVERED (-013)

Dimensions														
Boot Size	Glenair Part Marking ²	AS85049/140 Ref	Shell Size	Ae Dia Min	Ce Dia Min	Ar Dia Max	at ±30%	Cr Dia Max	ct ±20%	CO Ref	PO ±10%	P1 ±10%	RO Ref	R1 Ref
03	S03	01	8,10	.75(19.1)	.75(19.1)	.413(10.5)	.063(1.6)	.197(5.0)	.035(0.9)	.394(10.0)	1.496(38.0)	1.024(26.0)	.748(19.0)	.276(7.0)
04	S04	02	11-16	.75(19.1)	.75(19.1)	.551(14.0)	.071(1.8)	.236(6.0)	.039(1.0)	.630(16.0)	2.165(55.0)	1.693(43.0)	1.181(30.0)	.709(18.0)
05	S05	03	16-17	1.25(31.8)	1.25(31.8)	.709(18.0)	.071(1.8)	.276(7.0)	.047(1.2)	.748(19.0)	2.638(67.0)	1.850(47.0)	1.299(33.0)	.512(13.0)
06	S06	04	17-21	1.25(31.8)	1.25(31.8)	.866(22.0)	.079(2.0)	.335(8.5)	.047(1.2)	.787(20.0)	3.150(80.0)	2.362(60.0)	1.575(40.0)	.787(20.0)
07	S07	05	21-23	1.45(36.8)	1.45(36.8)	1.102(28.0)	.087(2.2)	.394(10.0)	.051(1.3)	1.142(29.0)	3.898(99.0)	3.150(80.0)	2.165(55.0)	1.417(36.0)
08	S08	06	25	2.25(57.2)	2.25(57.2)	1.378(35.0)	.130(3.3)	.591(15.0)	.063(1.6)	1.575(40.0)	5.118(130.0)	4.331(110.0)	1.969(50.0)	1.181(30.0)
09	S09	07		2.75(69.9)	2.75(69.9)	1.752(44.5)	.150(3.8)	.661(16.8)	.079(2.0)	2.283(58.0)	6.693(170.0)	5.910(150.0)	3.543(90.0)	2.760(70.0)
10	S10	08		4.00(101.6)	4.00(101.6)	2.250(57.2)	.160(4.1)	1.06(26.9)	.130(3.3)	2.068(52.5)	7.700(195.6)	N/A	4.005(102.0)	N/A

SERIES 77

Autoshrink™ F Cold-Action Shrink Boots and Tubing



777-012 Lipped, Right Angle Boot

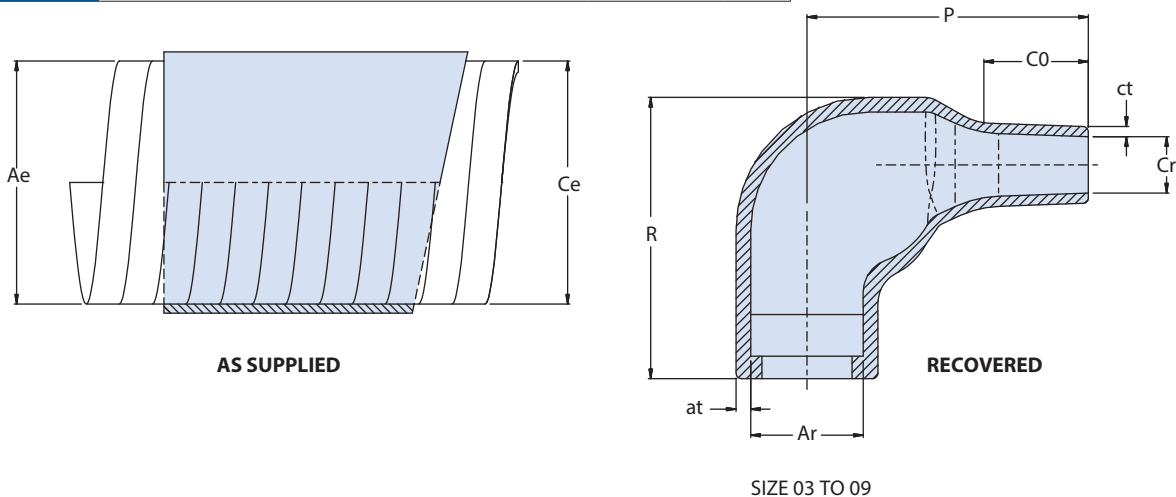


Lipped boots provide mechanical and environmental protection from damage and debris. Advanced fluid and solvent resistant Autoshrink™ F boots are suitable for immersion in jet fuel, diesel, lubricants, and solvents. Shrink boots are RoHS compliant and flame resistant. Service temperature range is -65°C to 200°C. Boots are water-tight when installed with adhesive. Lipped boots lock into boot groove located on adapter. Choose boot size based on adapter and cable diameter.

How to Order				
Sample Part Number	777	-012	A	03
Product Series	777 = Autoshrink™			
Basic Number	012 = Standard lipped boot, no eyelet, Autoshrink™ F			
Angular Function	A = 90°			
Size Code	See dimensions table			

NOTES

1. Autoshrink™ F adhesive 779-006 sold separately
2. Number engraved on boot
3. Material:
 - Boot: Duraelectric™ F, blue



Dimensions												
Boot Size	Glenair Part Marking ²	AS85049/140 Ref	Shell Size	Ae Dia Min	Ce Dia Min	Ar Dia Max	at ±30%	Cr Dia Max	ct ±20%	C0 Ref	P ±20%	R Ref
03	A03	01	9	.75(19.1)	.75(19.1)	.394 (10.0)	.063(1.6)	.197(5.0)	.035(0.9)	.394(10.0)	.984 (25.0)	.984 (25.0)
04	A04	02	11-15	.75(19.1)	.75(19.1)	.532 (13.5)	.071(1.8)	.217(5.5)	.039(1.0)	.472 (12.0)	1.260 (32.0)	1.063 (27.0)
05	A05	03	13-17	1.25(31.8)	1.25(31.8)	.709 (18.0)	.071(1.8)	.276(7.0)	.047(1.2)	.591 (15.0)	1.535 (39.0)	1.260 (32.0)
06	A06	04	17-21	1.25(31.8)	1.25(31.8)	.886 (22.5)	.079(2.0)	.335(8.5)	.047(1.2)	.630 (16.0)	1.929 (49.0)	1.496 (38.0)
07	A07	05	21-23	1.45(36.8)	1.45(36.8)	1.102 (28.0)	.087(2.2)	.394(10.0)	.059(1.5)	.709 (18.0)	2.165 (55.0)	1.850 (47.0)
08	A08	06	23-25	2.25(57.2)	2.25(57.2)	1.378 (35.0)	.130(3.3)	.591(15.0)	.079(2.0)	1.260 (32.0)	3.150 (80.0)	2.165 (55.0)
09	A09	07	25-33	2.75(69.9)	2.75(69.9)	1.752 (44.5)	.150(3.8)	.661(16.8)	.079(2.0)	1.890 (48.0)	4.250 (108.0)	2.680 (68.0)

Autoshrink™ F Cold-Action Shrink Boots and Tubing



777-012 Lipped, 45° Angle Boot

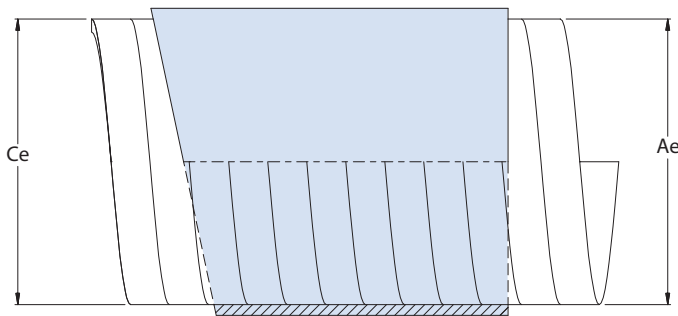


Lipped boots provide mechanical and environmental protection from damage and debris. Advanced fluid and solvent resistant Autoshrink™ F boots are suitable for immersion in jet fuel, diesel, lubricants, and solvents. Shrink boots are RoHS compliant and flame resistant. Service temperature range is -65°C to 200°C. Shrink boots are water-tight when installed with 779-006 adhesive. Lipped boots lock into boot groove located on adapter. Choose boot size based on adapter and cable diameter.

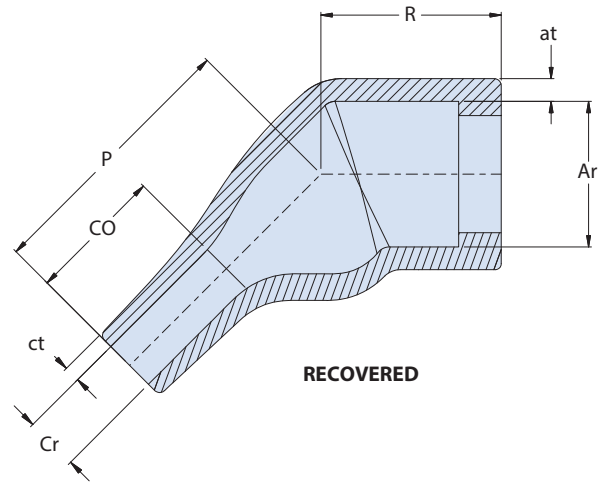
How to Order	
Sample Part Number	777 -012 B 04
Product Series	777 = Autoshrink™
Basic Number	012 = Standard lipped boot, no eyelet, Autoshrink™ F
Angular Function	B = 45°
Size Code	See dimensions table

NOTES

1. Duraelectric™ F adhesive 779-006 sold separately
2. Number engraved on boot
3. Material:
 - Boot: Duraelectric™ F, blue



AS SUPPLIED



RECOVERED

Boot Size	Glenair US Part Marking ²	Shell Size	Ae Dia Min	Ce Dia Min	Ar Dia Max	at ±30%	Cr Dia Max	ct ±20%	CO Ref	P ±10%	R Ref
04	B04	11-15	.75(19.1)	.75(19.1)	.551(14.0)	.071(1.8)	.236(6.0)	.039(1.0)	.354(9.0)	1.180(30.0)	.748(19.0)
05	B05	13-17	1.25(31.8)	1.25(31.8)	.709(18.0)	.079(2.0)	.276(7.0)	.071(1.8)	.591(15.0)	1.378(35.0)	.984(25.0)
06	B06	17-21	1.25(31.8)	1.25(31.8)	.866(22.0)	.079(2.0)	.335(8.5)	.071(1.8)	.709(18.0)	1.575(40.0)	1.260(32.0)
07	B07	21-23	1.45(36.8)	1.45(36.8)	1.102(28.0)	.087(2.2)	.394(10.0)	.079(2.0)	.709(18.0)	1.772(45.0)	1.496(38.0)