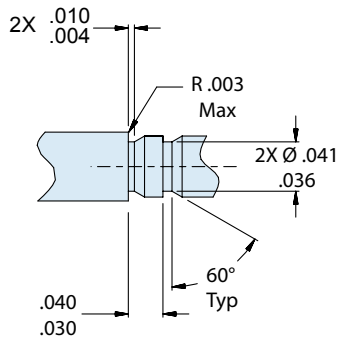
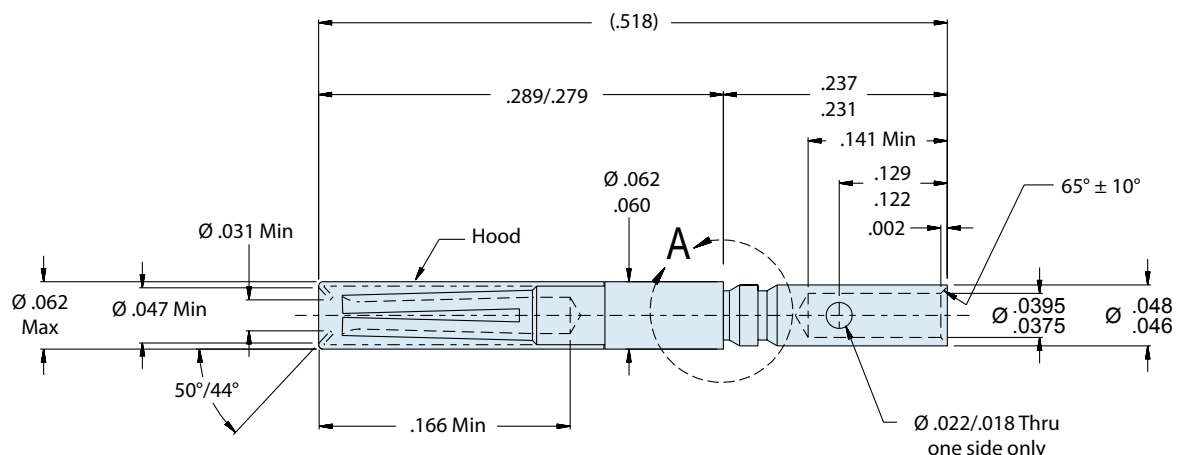




850-020-22
M39029/57 Type
Socket Contact with Expanded Wire Accommodation



Mating End Size	Glenair Part Number
22	850-020-22



Material and Finish

Contact Body: Copper alloy, plated with 50 microinches gold per ASTM B488 Type II code C over 50–100 microinches nickel IAW SAE AMS-QQ-N-290, class II
 Hood: 305 CRES, passivated

Notes

May be used with up to 20AWG wire

D