

850-011
M39029/56 Type
PCB Socket Contact for D38999/20 and /24



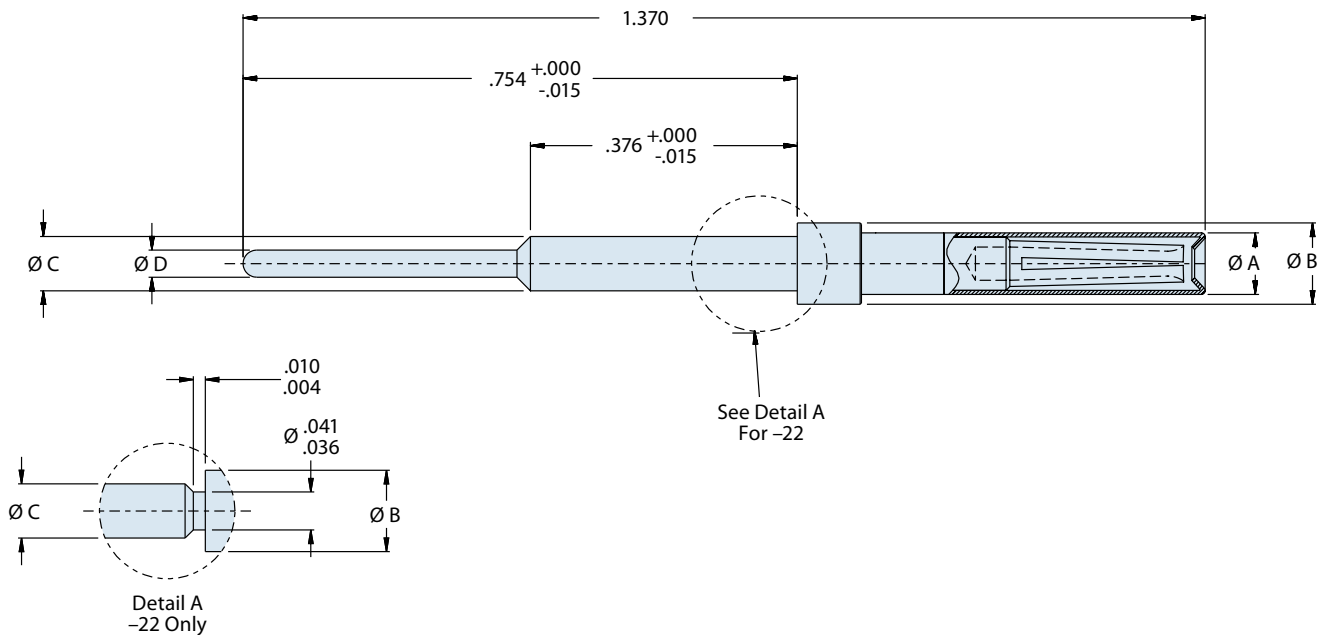
Special Purpose

PCB Socket Contact to Fit MIL-DTL-38999/20 and /24 Connectors



Mating End Size	Glenair Part Number
22	850-011-22
20	850-011-20
16	850-011-16
12	850-011-12

TABLE I				
Size	Ø A Max	Ø B	Ø C	Ø D
22	.062	.062 .060	.046 .044	.020 .018
20	.078	.094 .091	.070 .068	.028 .024
16	.113	.130 .127	.101 .097	.0635 .0615
12	.161	.182 .179	.134 .130	.095 .093



Material and Finish

Copper alloy, plated with 50 microinches gold per ASTM B488 Type II code C over 50–100 microinches nickel IAW SAE AMS-QQ-N-290, class II