



HIGH VOLTAGE SUBSEA SeaKing™ Power connectors for underwater primary power junctions



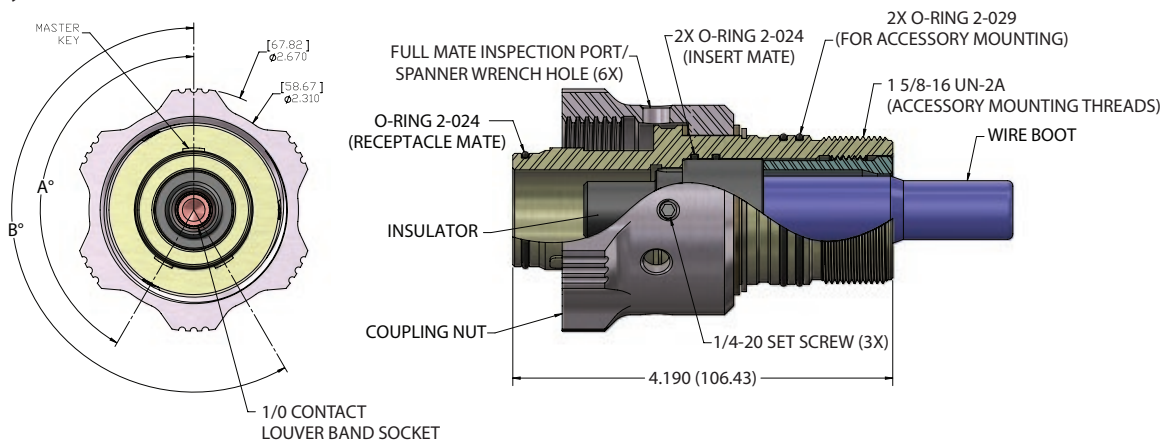
Size 32, 1-way #1/0 HV contact, 1kV, 150 amps/contact

707-0088 SEAKING POWER, CABLE CONNECTOR PLUG (CCP), SIZE 32, 1-WAY #1/0 HV CONTACTS*

How to Order				
Sample Part Number	707-0088	Z1	P	N
Series	707-0088 = cable connector plug			
Shell Material	Z1 = stainless steel TC = titanium			
Contact Style	P = pin S = socket			
Polarization	N = normal, A, B, C; see key positions table at right			

Key Positions		
Position	A	B
N	150°	210°
A	75°	210°
B	95°	230°
C	140°	275°

*Mates only with 707-0089 FCR or BCR



707-0089 SEAKING POWER, FCR/BCR, SIZE 32, 1-WAY #1/0 CONTACTS*

How to Order						
Sample Part Number	707-0089	Z1	P	N	-N	-API
Series	707-0089 = flange connector receptacle or bulkhead connector receptacle					
Shell Material	Z1 = stainless steel TC = titanium					
Contact Style	P = pin S = socket					
Polarization	N = normal, A, B, C; see key positions table at right					
Mounting Option*	B = BCR option and includes bulkhead nut and washer F = FCR option and includes indexable mounting flange N = none, receptacle is mountable to a threaded bulkhead					
Shell Option*	API = test ports; omit for none					

Key Positions		
Position	A	B
N	150°	210°
A	75°	210°
B	95°	230°
C	140°	275°

*Mates only with 707-0088 CCP

