



HIGH VOLTAGE SUBSEA SeaKing™ Power connectors for underwater primary power junctions



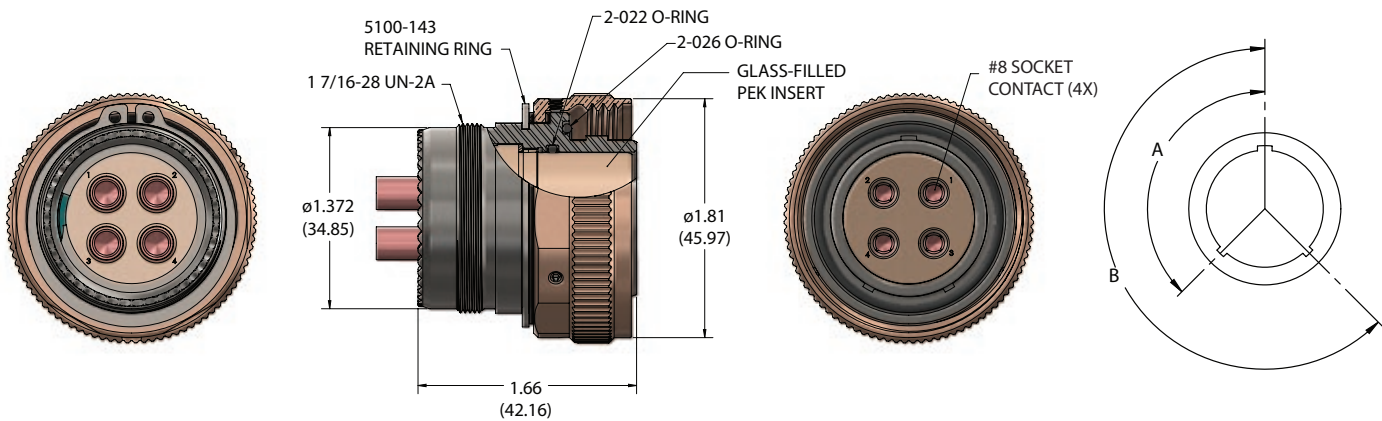
Size P, 4-way #8 HV contacts, 1kV, 50 amps/contact

707-0065-P4 SEAKING POWER, CABLE CONNECTOR PLUG (CCP)*

How to Order					
Sample Part Number	707-0065	-P4	-Z1	S	N
Series	707-0065 = cable connector plug (CCP)				
Shell Size / Insert Arrangement	P4				
Shell Material	Z1 = stainless steel TC = titanium				
Contact Style	P = pin (707-0066 only) S = socket (707-0065 only)				
Polarization	N = Normal, A, B, C; see key positions table at right				

Key Positions		
Position	A	B
N	150°	210°
A	75°	210°
B	95°	230°
C	140°	275°

*Mates only with 707-0066 BCR



707-0066-P4 SEAKING POWER, BULKHEAD CONNECTOR RECEPTACLE (BCR)*

How to Order					
Sample Part Number	707-0066	-P4	-Z1	S	N
Series	707-0066 = bulk head receptacle (BCR)				
Shell Size / Insert Arrangement	P4				
Shell Material	Z1 = stainless steel TC = titanium				
Contact Style	P = pin (707-0066 only) S = socket (707-0065 only)				
Polarization	N = Normal, A, B, C; see key positions table				

Key Positions		
Position	A	B
N	150°	210°
A	75°	210°
B	95°	230°
C	140°	275°

*Mates only with 707-0065 CCP

