



How To Order ThermaRex SuperNine connectors						
Sample Part Number	233-295	-20	Z1	17	-26	P N
Series / Basic Part No.	233-295 Environmental, Thermarex Cryo SuperNine connector					
Connector Style	-20 = Receptacle, square flange-mount -24 = Receptacle, jam nut -26 = Plug					
Material/Finish	ME = Aluminum alloy, electroless nickel Z1 = Stainless steel, passivate					
Shell Size	9, 11, 13, 17, 19, 21, 23, 25					
Insert Arrangement	Per Mil-STD-1560. See insert arrangement tables below					
Contact Style	P = Pin contacts S = Socket contacts A = Pin insert, less contacts B = Socket insert, less contacts					
Alternate Polarization*	A, B, C, D, E, N = Normal (IAW MIL-DTL-38999 Series III)					

MATERIAL / FINISH NOTES

Plug and receptacle shells, coupling nut - ME = Aluminum alloy, electroless nickel (48-hour salt spray; Z1 = Stainless steel, passivate

Grommet, interfacial, and peripheral seals - Duraelectric™K

Glenair's 233-295 Connector is designed to meet or exceed the mechanical, electrical and environmental requirements of

MIL-DTL-38999 and MIL-STD-1560 operating temperatures are -195°C to +200°C.

Contacts - Pin: copper alloy, gold plated; Socket: copper alloy, gold plated, CRES hood

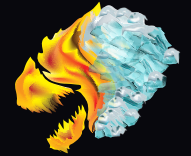
233-295 plug or receptacle will mate with other D38999 Series III receptacles or plugs having the same shell size, opposite insert arrangement and same mating shell polarization. However, performance at low temperature cannot be guaranteed.

■ Service rating from -195°C to 200°C

■ Vibration-resistant threaded coupling

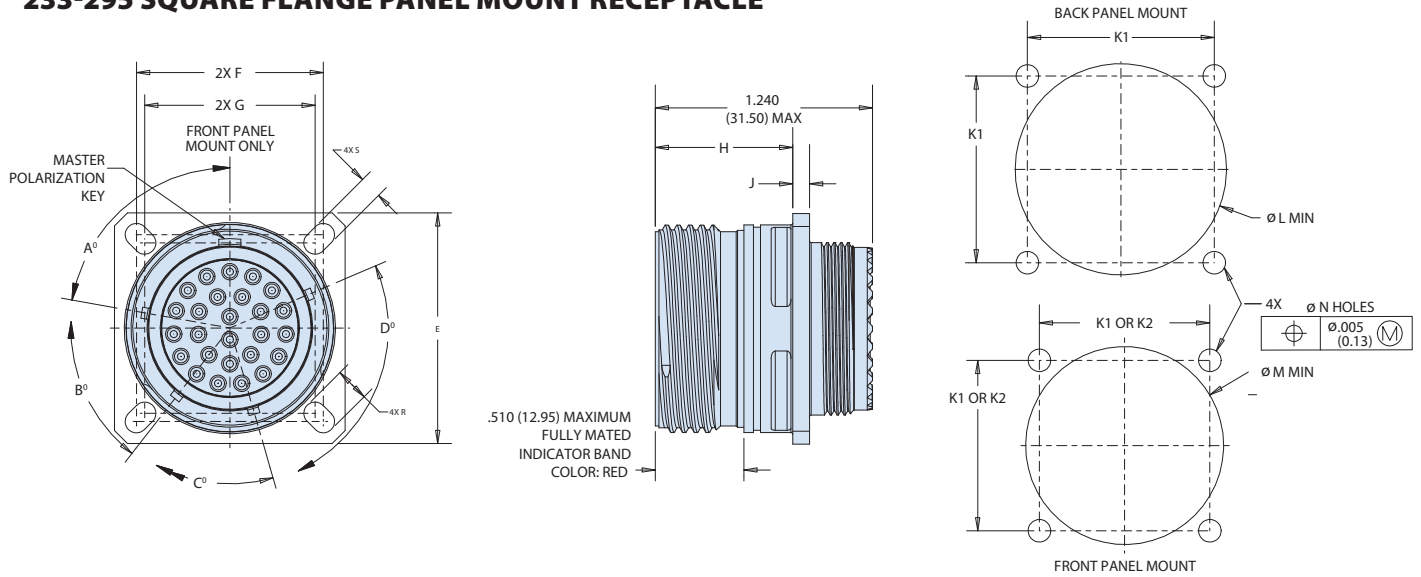
ThermaRex Cryo Contact Arrangements (pin mating face shown)				
Suggested high-availability contact arrangements show. Most MIL-STD-1560 arrangements are available, consult factory.				
9-35 Contact Size : 22D Qty.: 6 Service Rating: M	11-99 Contact Size : 20 Qty.: 7 Service Rating: I	11-35 Contact Size : 22D Qty.: 13 Service Rating: M	13-8 Contact Size : 20 Qty.: 8 Service Rating: I	13-35 Contact Size : 22D Qty.: 22 Service Rating: M
15-97 Contact Size : 20 / Quantity: 8 Contact Size : 16 / Quantity: 4 Service Rating: I	17-6 Contact Size : 12 Qty.: 6 Service Rating: I	21-24 Contact Size : 20 Qty.: 24 Service Rating: I		

CRYOGENIC ThermaRex Cryo SuperNine® Connectors High-performance D38999 type solution

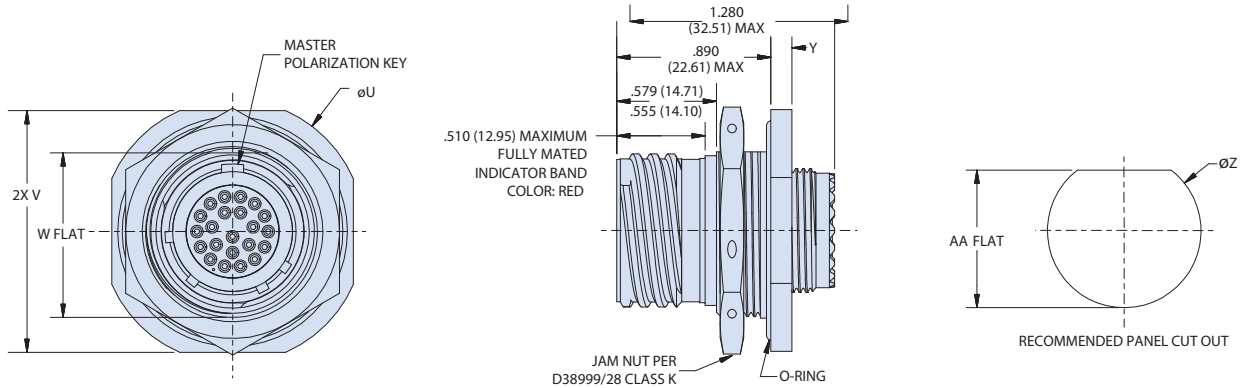


ThermaRex™
Cryo

233-295 SQUARE FLANGE PANEL MOUNT RECEPTACLE



233-295 JAM NUT RECEPTACLE



233-295 PLUG

