



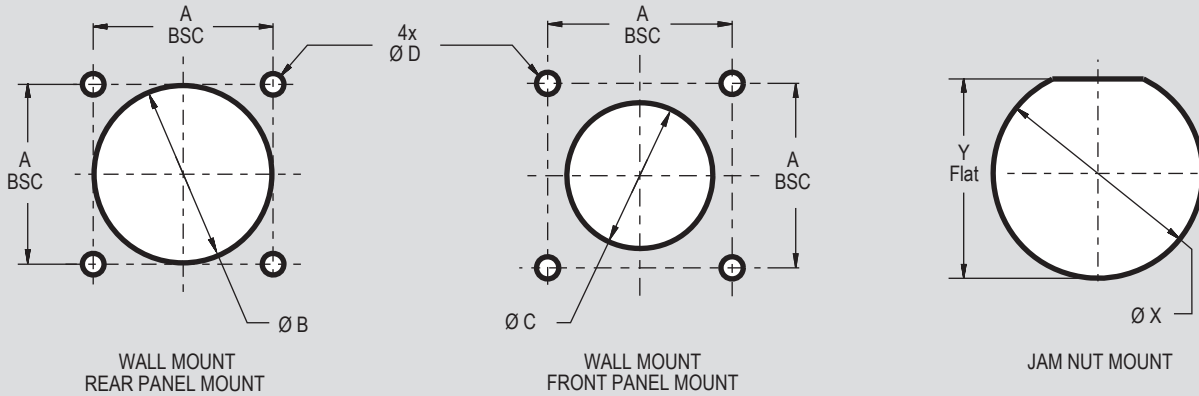
# RJ45 ETHERNET, USB, HDMI, AND DISPLAY PORT Introduction and Technical Reference



## Recommended panel cutouts for MIL-DTL-38999 Series III type connectors

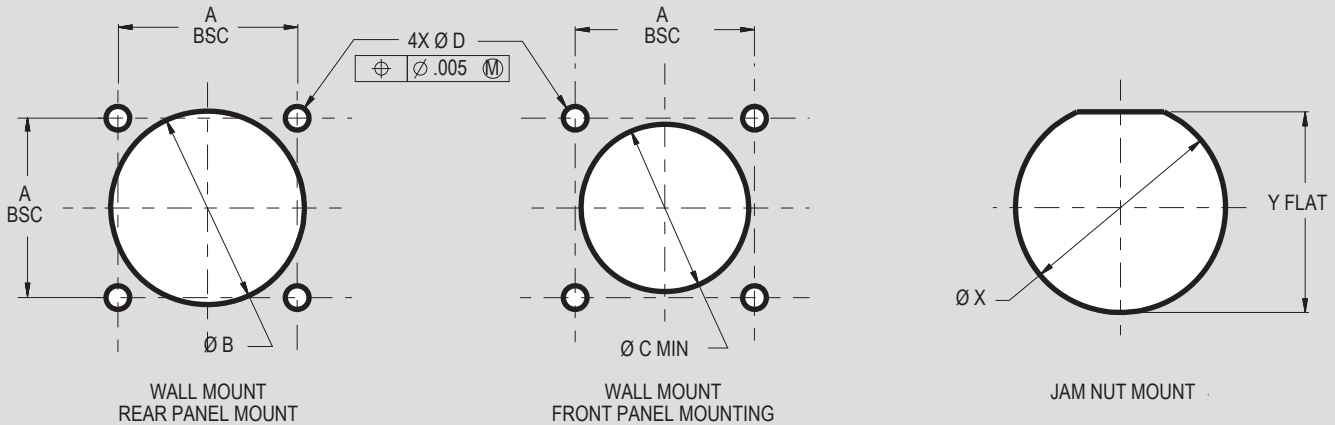
A

### MIL-DTL-38999 TYPE RJ45 PANEL CUTOUTS FOR SHELL SIZE 17 AND 19



Panel Cut-Out Dimensions						
Shell Size	A Bsc	B Dia Min	C Dia Min	D Holes	X Dia	Y Flat
17	1.062 (26.97)	1.219 (30.96)	1.016 (25.81)	.133 (3.38)	1.270 (32.26)	1.210 (30.73)
					1.260 (32.00)	1.200 (30.48)
19	1.156 (29.36)	1.297 (32.94)	1.141 (28.98)	.123 (3.12)	1.395 (35.43)	1.335 (33.91)
					1.385 (35.18)	1.325 (33.66)

### MIL-DTL-38999 TYPE USB AND HDMI PANEL CUTOUTS FOR SHELL SIZE 15 (USB ONLY) AND 17



Panel Cut-Out Dimensions						
Shell Size	A BSC	B Dia Min	C Dia Min	D Holes	X Dia	Y Flat
15	.969 (24.61)	1.047 (26.59)	.906 (23.01)	.133 (3.38)	1.145 (29.08)	1.085 (27.56)
					1.135 (28.83)	1.075 (27.31)
17	1.062 (26.97)	1.219 (30.96)	1.016 (25.81)*	.123 (3.12)	1.270 (32.26)	1.210 (30.73)
					1.260 (32.00)	1.200 (30.48)

\* Available for HDMI connectors only. Front panel mounting is not available for SuperSeal 38999 Type USB connectors.