

SuperNine® USB 2.0 type A

MIL-DTL-38999 Series III Type connectors

2330-0015 USB 2.0 Cable Assembly



USB 2.0 AND 3.0 CONNECTORS



2330-0015 Glenair SuperSeal™ USB 2.0 cable jumpers, with SuperNine® connectors to standard USB Type A plug

SuperSeal USB connectors are IP67 open face rated and IP68 in the mated condition for complete protection in harsh environments. SuperSeal connector styles include plug, wall mount and jam-nut receptacles. Wall mount receptacles are available with slotted holes and straight cable exit. USB 2.0 can be ordered in horizontal or vertical orientation to provide further security against mis-mating and conform to existing USB orientations. Please consult factory for custom configurations.

All external dimensions, features, etc. compliant with D38999/20, /24, &/26. Consult factory for additional information.

| Material and Finish | |
|---------------------|--|
| NF | Aluminum/cadmium, olive drab |
| ME | Aluminum/electroless nickel |
| ZR | Zinc nickel, black (tri-valent chromium) RoHS compliant |

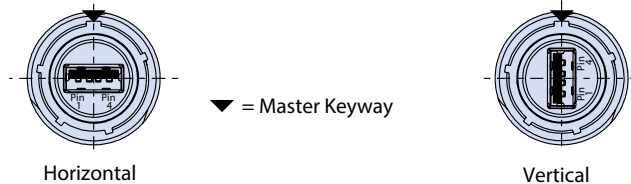
| Connector Style | |
|-----------------|---|
| G6 | Plug |
| 07 | Rear panel mount, jam nut receptacle |
| 00 | Wall mount receptacle with slotted holes ² |

NOTES

1. See Section A for panel cutout dimensions
2. Meets IP67 in unmated condition, IP68 mated
3. Standard configurations provided with potted back end
4. SuperSeal plug houses USB plug. Superseal receptacle houses USB receptacle

| Sample Part Number | Part Number Development | | | | | | | | | | | |
|---------------------------------------|--|----|----|---|-----|---|---|---|---|---|---|-----|
| | 2330-0015 | NF | 07 | S | -15 | 2 | A | N | H | A | S | -03 |
| Basic Number | 2330-0015 | | | | | | | | | | | |
| P1 Finish | See Material and Finish table | | | | | | | | | | | |
| P1 Connector Style¹ | See Connector Style table | | | | | | | | | | | |
| P1 Cable Exit | S = Straight | | | | | | | | | | | |
| P1 Shell Size | 15 | | | | | | | | | | | |
| USB Performance | 2 = USB 2.0 | | | | | | | | | | | |
| USB Interface | A = Type A | | | | | | | | | | | |
| Polarization | N = Normal | | | | | | | | | | | |
| USB Orientation | H = Horizontal V = Vertical | | | | | | | | | | | |
| P2 Connector Style | A - Type A USB plug | | | | | | | | | | | |
| P2 Cable Exit | S = Straight | | | | | | | | | | | |
| Standard Lengths | 01, 02, 03, 06, 10, 15 and 25 feet in length | | | | | | | | | | | |

USB Receptacle Orientation Options (Partial Views Shown)



SuperNine® USB 2.0 type A

MIL-DTL-38999 Series III Type connectors

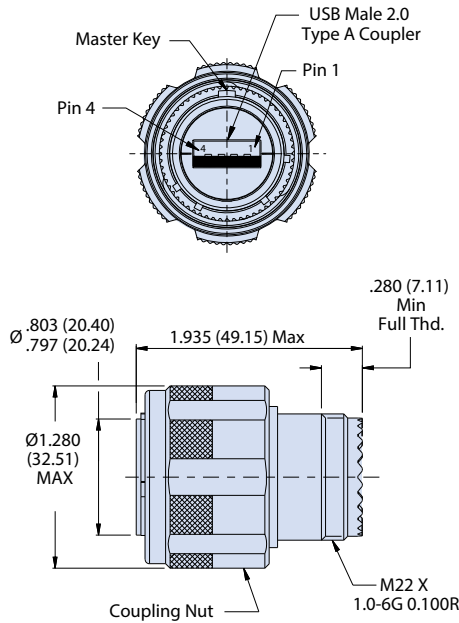
2330-0015 USB 2.0 Cable Assembly



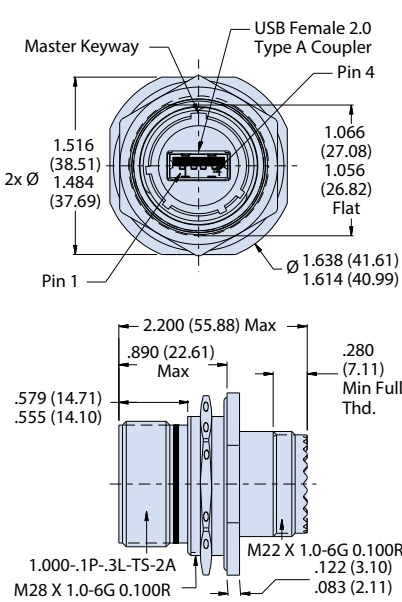
USB 2.0 AND 3.0 CONNECTORS

AVAILABLE P1 CONNECTOR DIMENSIONS, SHELL SIZE 15

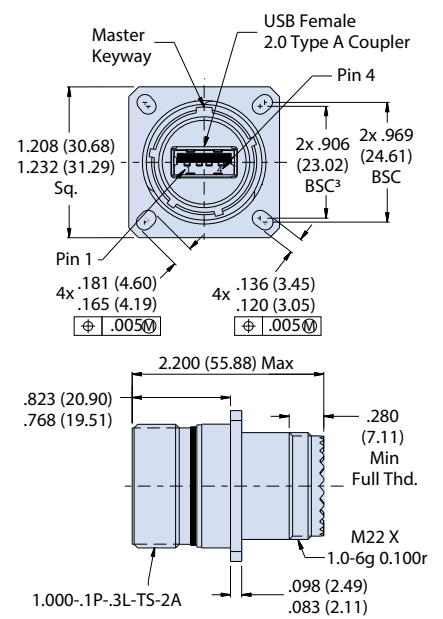
G6 Plug



07 Receptacle, Jam-Nut Mount



00 Receptacle, Wall Mount with Slotted Holes



CABLE ASSEMBLY SHOWN WITH PLUG CONNECTOR STYLE

