

# SuperNine® USB 2.0 type A

## MIL-DTL-38999 Series III Type connectors

### 233-344 Receptacle adapter with MIL-STD 1560 interface



USB 2.0 AND 3.0 CONNECTORS



Plug Front View



Receptacle Front View

Material and Finish	
<b>NF</b>	Aluminum/cadmium, olive drab
<b>M</b>	Aluminum/electroless nickel
<b>MT</b>	Aluminum/nickel PTFE
<b>ZR</b>	Aluminum/black zinc-nickel

Connector Style	
<b>G6</b>	Plug
<b>07</b>	Rear panel mount, jam nut receptacle
<b>00</b>	Wall mount receptacle with slotted holes <sup>2</sup>
<b>D0</b>	Wall mount receptacle with round holes
<b>CM</b>	Wall mount receptacle with metric clinch nuts

#### NOTES

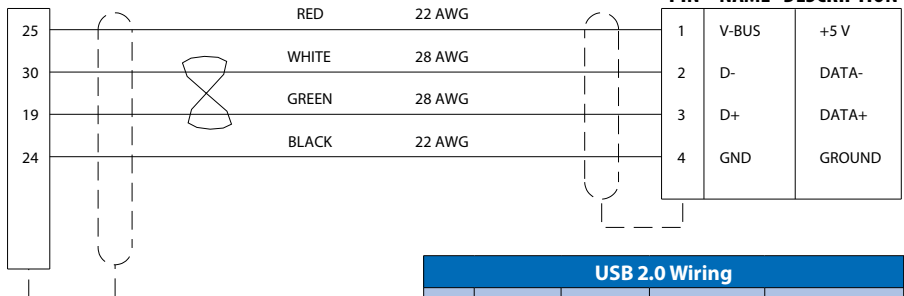
1. See Section A for alternate key/keyway positions and panel cutout dimensions
2. Front panel mount only
3. Insert arrangement in accordance with MIL-STD-1560, 15-35. Contact factory for additional options
4. Meets IP67 in unmated condition, IP68 mated
5. For custom pin assignment consult factory
6. Both plug and receptacle shells have MIL-STD-1560 mating interface and rear USB female receptacles

Part Number Development										
<b>Sample Part Number</b>	<b>233-344</b>	<b>NF</b>	<b>00</b>	<b>15</b>	<b>-35</b>	<b>2</b>	<b>A</b>	<b>P</b>	<b>N</b>	<b>T</b>
<b>Basic Number</b>	<b>233-344</b>									
<b>Finish</b>	See Material and Finish table									
<b>Connector Style<sup>1</sup></b>	See Connector Style table									
<b>Shell Size</b>	<b>15</b>									
<b>Insert Arrangement<sup>4</sup></b>	<b>35</b> = IAW MIL-STD-1560, 15-35									
<b>USB Performance</b>	<b>2</b> = USB 2.0									
<b>USB Rear Interface</b>	<b>A</b> = Type A									
<b>Contact Style</b>	<b>P</b> = Pin <b>S</b> = Socket									
<b>Alternate Polarization<sup>1</sup></b>	<b>A, B, C, D, E, N</b> = Normal; per MIL-DTL-38999									
<b>Shrink Boot</b>	<b>T</b> = Shrink Boot; Omit for none									

#### USB 2.0 Wiring Diagram

**P1 (connector interface)**  
Only 4 pins needed

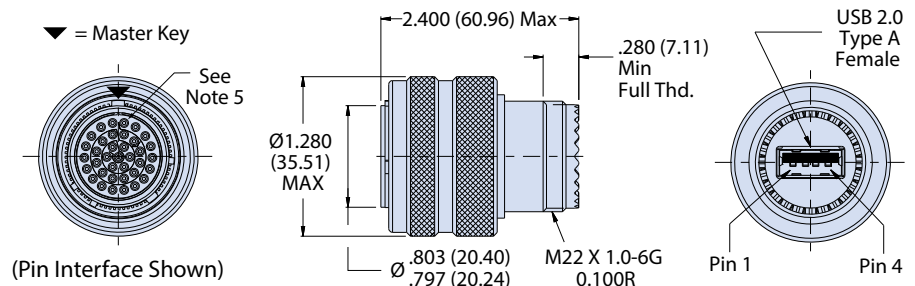
**P2 (USB 2.0 FEMALE)**



*All external dimensions, features, etc. compliant with D38999/20, /24, &/26. Consult factory for additional information.*

USB 2.0 Wiring				
Pin	Name	Cable Color (USB)	Description	Recommended Wire Sizes (AWG)
1	(V Bus)	Red	+5 V	22
2	(D-)	White	Data -	28
3	(D+)	Green	Data +	28
4	(GND)	Black	Ground	22

#### G6 PLUG WITH ACCESSORY THREADS



# SuperNine® USB 2.0 type A

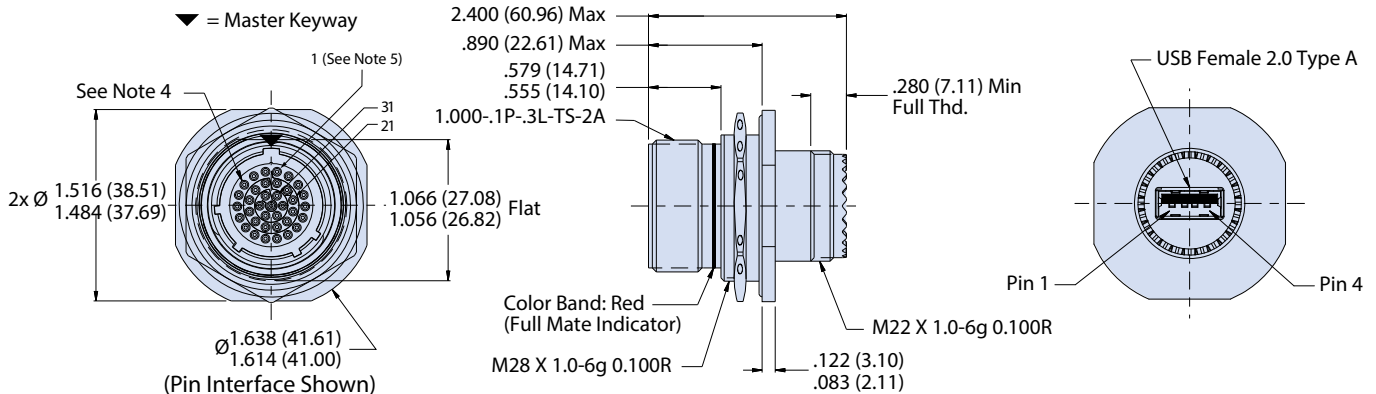


## MIL-DTL-38999 Series III Type connectors

### 233-344 Receptacle adapter with MIL-STD 1560 interface

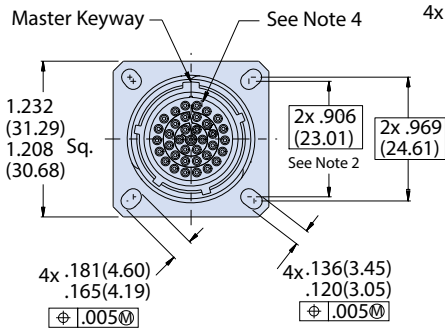
USB 2.0 AND 3.0 CONNECTORS

#### 07 - REAR PANEL MOUNT, JAM NUT RECEPTACLE WITH ACCESSORY THREADS

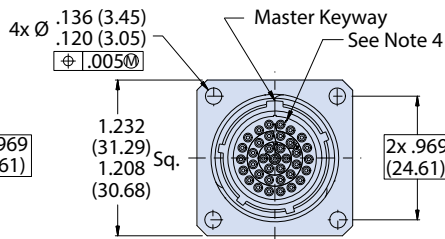


#### 00, D0 AND CM - WALL MOUNT RECEPTACLES WITH ACCESSORY THREADS

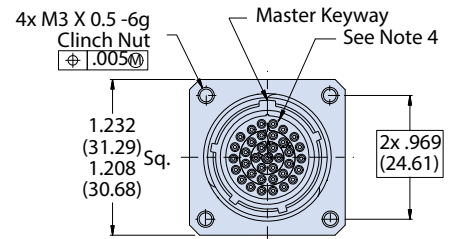
##### 00 - Slotted Hole Receptacle (Mating Face) (Pin Interface Shown)



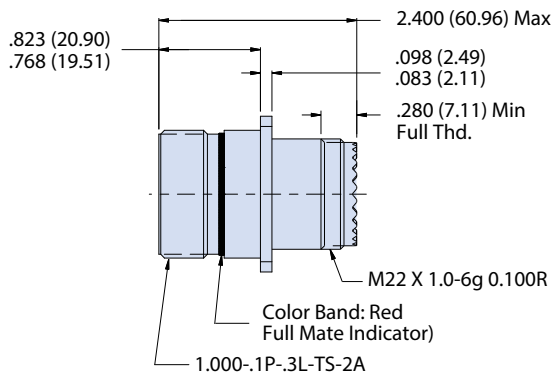
##### D0 - Round Hole Receptacle (Mating Face) (Pin Interface Shown)



##### CM - Clinch Hole Receptacle (Mating Face) (Pin Interface Shown)



##### 00 and D0 - Receptacle (Side View)



##### CM - Receptacle (Side View)

