

# SuperNine® USB 2.0 type A

## MIL-DTL-38999 Series III Type connectors

### 233-342 Receptacle with PC tails



USB 2.0 AND 3.0 CONNECTORS



Jam Nut Receptacle Rear View



Jam Nut Receptacle Front View

Part Number Development								
Sample Part Number	233-342	NF	00	-15	2	A	N	H
Basic Number	233-342							
Finish	See Material and Finish table							
Connector Style <sup>1</sup>	See Connector Style table							
Shell Size	15							
USB Performance	2 = USB 2.0							
USB Interface Type	A = Type A							
Alternate Key Position <sup>1</sup>	A, B, C, D, E, N = Normal; per MIL-DTL-38999							
USB Orientation	H = Horizontal V = Vertical							

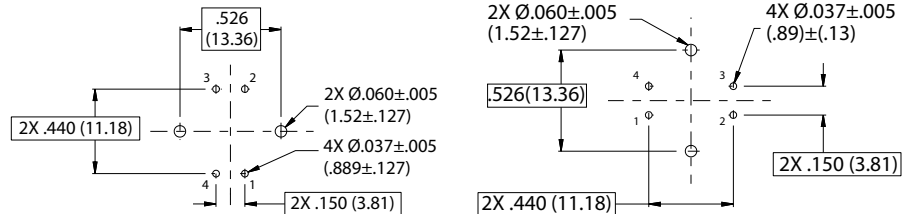
Material and Finish	
NF	Aluminum/Cadmium, Olive Drab
M	Aluminum/Electroless Nickel
MT	Aluminum/Nickel PTFE
ZR	Aluminum/Black Zinc-Nickel

Connector Style	
07	Rear panel mount, jam nut receptacle
00	Wall mount receptacle with slotted holes
DO	Wall mount receptacle with round holes
CM	Wall mount receptacle with metric clinch nuts

USB Receptacle Orientation Options (Partial Views Shown)



Recommended (Solder Side)



NOTES

- See Section A for alternate key/keyway positions and panel cutout dimensions
- Rear panel mount only
- Meets IP67 in unmated condition, IP68 mated
- Receptacle has USB female receptacle
- Material/Finishes:
  - Insulators: high grade rigid dielectric/ n.a.
  - Contacts: copper alloy, gold plated
  - Seals: silicone based elastomer
  - USB (shell/contacts): copper alloy
  - Dielectric: hi-temp thermoplastic PA9T UL94V-0
  - Hardware: stainless steel/passivated

USB 2.0 Wiring				
Pin	Name	Cable Color (USB)	Description	Recommended Wire Sizes (AWG)
1	(V Bus)	Red	+5 V	22
2	(D-)	White	Data -	28
3	(D+)	Green	Data +	28
4	(GND)	Black	Ground	22

*All external dimensions, features, etc. compliant with D38999/20, /24, &/26. Consult factory for additional information.*

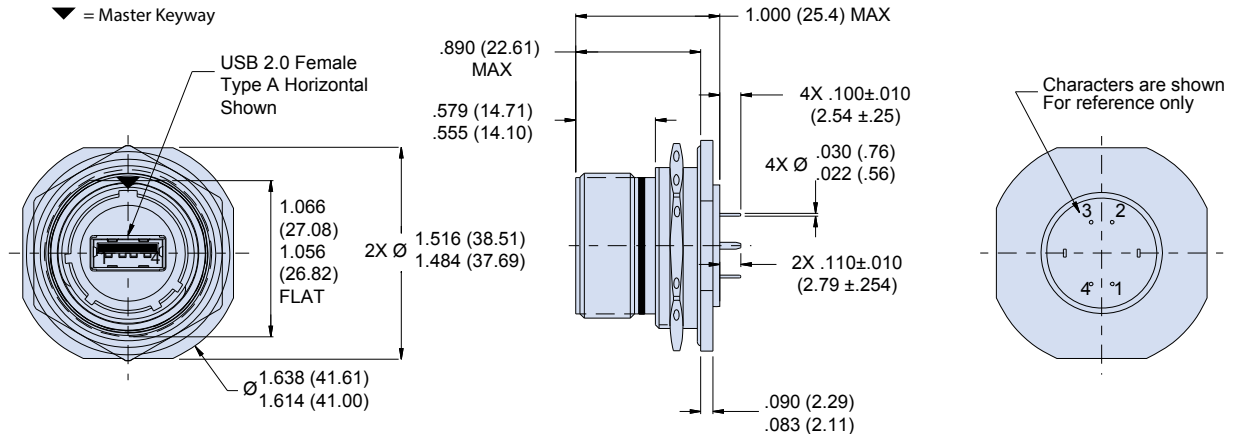
# SuperNine® USB 2.0 type A

## MIL-DTL-38999 Series III Type connectors

### 233-342 Receptacle with PC tails



#### 07 - REAR PANEL MOUNT, JAM NUT RECEPTACLE

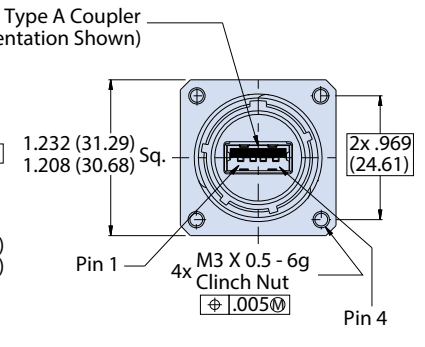
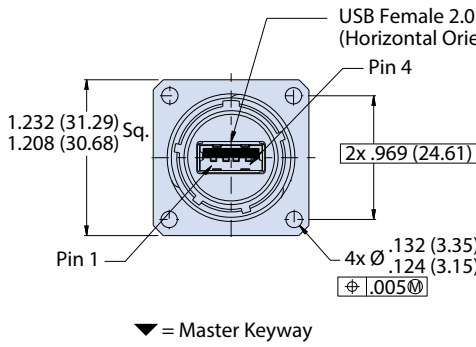
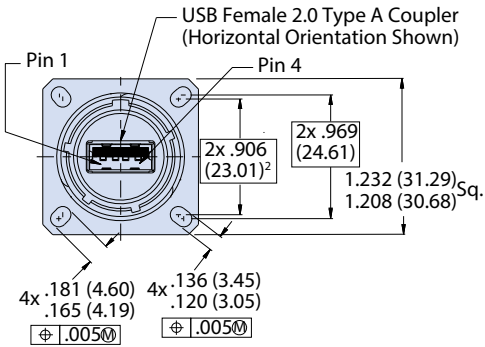


#### 00, D0 AND CM - WALL MOUNT RECEPTACLES

##### 00 - Slotted Hole Receptacle Face View

##### D0 - Round Hole Receptacle Face View

##### CM - Clinch Hole Receptacle Face View



##### 00 and D0 - Receptacle (Side View)

##### CM - Receptacle (Side View)

