

SuperNine® Lightweight hermetic



MIL-DTL-38999 Series III Type

233-252 Jam-nut mount, crimp removable contact

HERMETIC CONNECTORS

| Part Number Development | | | | | | | | | |
|-------------------------|---|--|------------------------------|--|----|----|----|---|---|
| Sample Part Number | 233-252-07 | | | | ME | 17 | -8 | P | N |
| Series / Basic Part No. | Series 23 SuperNine CODE RED hermetic jam-nut mount receptacle | | | | | | | | |
| Material/Finish* | ME = Aluminum alloy 6061-T6, electroless nickel | | | | | | | | |
| Shell Size* | Per MIL-DTL-38999 Series III | | | | | | | | |
| Insert Arrangement* | Per MIL-STD-1560 | | | | | | | | |
| Contact Style | P = Pin, gold, 500 cycles | | S = Socket, gold, 500 cycles | | | | | | |
| Polarization* | A, B, C, D, E, N = Normal; see section A for key position details | | | | | | | | |

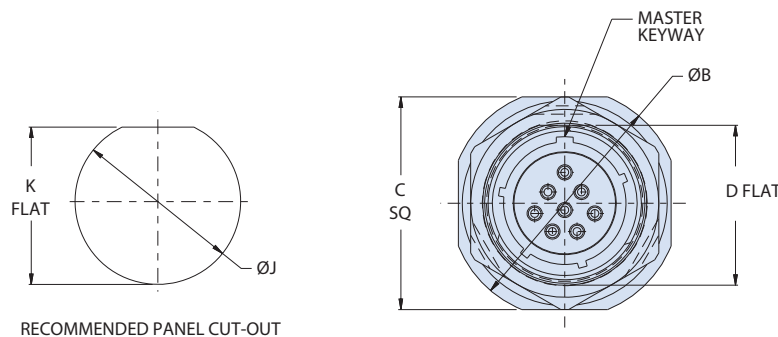
***Refer to Section A for complete details, consult factory for additional options**
 Modification codes may be added directly to the end of any valid part number

| Dimensions | | | | | | | | |
|-----------------|------------|-----------------------------|--------------------------------|--------------------------------|--------------------------------|---|----------------------------|------------------------|
| Shell Size Code | Shell Size | A Thread 0.1P-0.3L-TS-2A | ØB | C Sq | D Flat | E Thread ISO Metric 1.0-6g 0.100R | F | G Thread ISO Metric |
| A | 9 | .6250 | 1.200 (30.48) 1.178 (29.92) | 1.078 (27.38) 1.048 (26.62) | .654 (16.61) .645 (16.38) | M17 | .122 (3.10) .083 (2.11) | M12 X 1.0-6g 0.100R |
| B | 11 | .7500 | 1.386 (35.20) 1.362 (34.59) | 1.268 (32.21) 1.236 (31.39) | .755 (19.18) .745 (18.92) | M20 | | M15 X 1.0-6g 0.100R |
| C | 13 | .8750 | 1.512 (38.40) 1.488 (37.80) | 1.390 (35.31) 1.358 (34.49) | .942 (23.93) .932 (23.67) | M25 | | M18 X 1.0-6g 0.100R |
| D | 15 | 1.0000 | 1.638 (41.61) 1.614 (41.00) | 1.516 (38.51) 1.484 (37.69) | 1.066 (27.08) 1.056 (26.82) | M28 | | M22 X 1.0-6g 0.100R |
| E | 17 | 1.1875 | 1.764 (44.81) 1.740 (44.20) | 1.642 (41.71) 1.610 (40.89) | 1.191 (30.25) 1.181 (30.00) | M32 | | M25 X 1.0-6g 0.100R |
| F | 19 | 1.2500 | 1.949 (49.50) 1.925 (48.90) | 1.827 (46.41) 1.795 (45.59) | 1.316 (33.43) 1.306 (33.17) | M35 | .153 (3.89) .114 (2.90) | M28 X 1.0-6g 0.100R |
| G | 21 | 1.3750 | 2.075 (52.71) 2.051 (52.10) | 1.953 (49.61) 1.921 (48.79) | 1.441 (36.60) 1.431 (36.35) | M38 | | M31 X 1.0-6g 0.100R |
| H | 23 | 1.5000 | 2.201 (55.91) 2.177 (55.30) | 2.079 (52.81) 2.047 (51.99) | 1.566 (39.78) 1.556 (39.52) | M41 | | M34 X 1.0-6g 0.100R |
| J | 25 | 1.6250 | 2.323 (59.00) | 2.205 (56.01) | 1.691 (42.95) | M44 | | M37 X 1.0-6g 0.100R |
| | | | 2.299 (58.39) | 2.173 (55.19) | 1.681 (42.70) | | | |

MIL-DTL-38999 Series III Type

233-252 Jam-nut mount, crimp removable contact

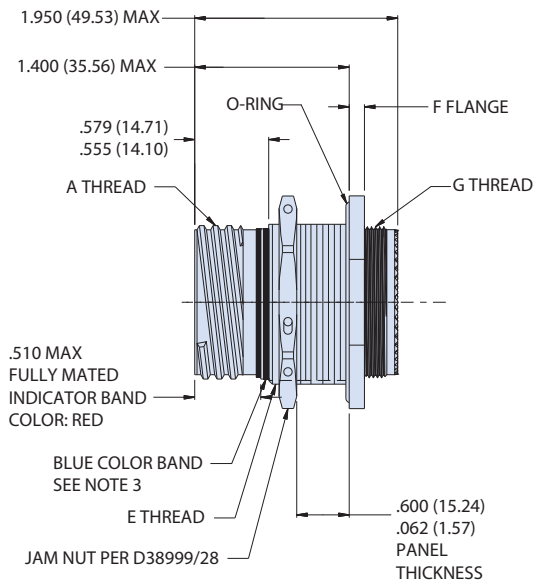
CODE RED



RECOMMENDED PANEL CUT-OUT

| Supplied Socket Contacts | |
|--------------------------|----------------|
| Size | Contact P/N |
| 22 | AS39029/57-354 |
| 20 | AS39029/57-357 |
| 16 | AS39029/57-358 |

| Panel Cut-out Dimensions | | | |
|--------------------------|------------|---------------|---------------|
| Shell Size Code | Shell Size | ØJ | K Flat |
| A | 9 | .703 (17.86) | .661 (16.79) |
| | | .693 (17.60) | .655 (16.64) |
| B | 11 | .835 (21.21) | .771 (19.58) |
| | | .825 (20.96) | .761 (19.33) |
| C | 13 | 1.020 (25.91) | .955 (24.26) |
| | | 1.010 (25.65) | .945 (24.00) |
| D | 15 | 1.145 (29.08) | 1.085 (27.56) |
| | | 1.135 (28.83) | 1.075 (27.30) |
| E | 17 | 1.270 (32.26) | 1.210 (30.73) |
| | | 1.260 (32.00) | 1.200 (30.48) |
| F | 19 | 1.395 (35.43) | 1.335 (33.91) |
| | | 1.385 (35.18) | 1.325 (33.65) |
| G | 21 | 1.520 (38.61) | 1.460 (37.08) |
| | | 1.510 (38.35) | 1.450 (36.83) |
| H | 23 | 1.645 (41.78) | 1.585 (40.26) |
| | | 1.635 (41.53) | 1.575 (40.00) |
| J | 25 | 1.770 (44.96) | 1.710 (43.43) |
| | | 1.760 (44.70) | 1.700 (43.18) |



HERMETIC CONNECTORS

NOTES

1. Meets applicable mechanical, dimensional, electrical, environmental and sealing requirements of MIL-DTL-38999, D38999/23, and MIL-STD-1560 except as shown and/or noted.
2. Insert arrangement in accordance with MIL-STD-1560. Contact manufacturer for available arrangement options
3. Blue color band indicates rear release retention system
4. Connector supplied with loose socket contacts (including spares shown in table), insertion/removal tool and sealing plug
5. Sealing compound employed has been tested and meets applicable performance requirements of MIL-DTL-38999/23 See Glenair test report GT-16-223
6. Dimensions shown comply with applicable MIL-DTL-38999/23
7. Performance
 - Operation temperature Range: -65°C to +200°C
 - Leak Rate: 1 x 10⁻⁷ cc/s max helium, 1 ATM
 - IR: 5,000 megohms min at room temperature per MIL-DTL-38999
 - DWV: see service rating per applicable MIL-STD-1560 arrangements

Material/Finish

- Shell and jam-nuts: aluminum alloy 6061-T6/nickel plate per D38999 series III, Class F
- Insulators: high grade rigid dielectric/ N.A.
- O-ring and seals: fluorosilicone/N.A.
- Contacts: copper alloy/gold plated
- Sealing compound: silicone base polymer