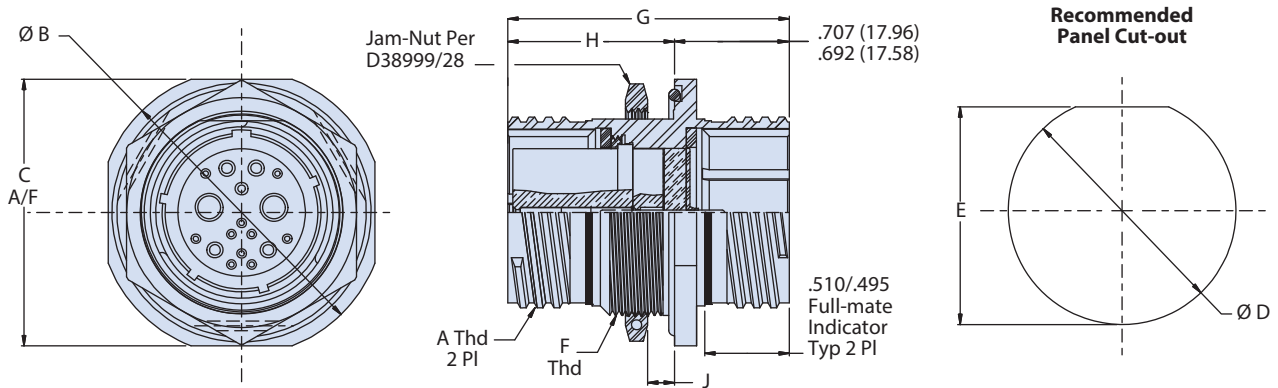


**MIL-DTL-38999 Series III Type  
233-103 Bulkhead feed-thrus**

HERMETIC CONNECTORS

**233-103-H7 JAM-NUT MOUNT AND  
233-103-DH7 DUAL O-RING JAM-NUT RECEPTACLE**



Dimensions								
SHELL SIZE	A THREAD 0.1 P-0.3L- TS-2	H7 Jam-Nut		DH7 Dual O-Ring Jam-Nut		D DIA	E DIM	F THREAD METRIC X 1.0-6G
		B DIA	C	B DIA	C			
9	.6250	1.189 (30.20)	1.063 (27.00)	1.500 (38.10)	1.375 (34.92)	.703 (17.86) .693 (17.60)	.661 (16.79) .655 (16.64)	M17
11	.7500	1.375 (34.92)	1.252 (31.80)	1.625 (41.28)	1.500 (38.10)	.835 (21.21) .825 (20.96)	.771 (19.58) .761 (19.33)	M20
13	.8750	1.500 (38.10)	1.374 (34.90)	1.752 (44.50)	1.626 (41.30)	1.020 (25.91) 1.010 (25.65)	.955 (24.26) .945 (24.00)	M25
15	1.0000	1.626 (41.30)	1.500 (38.10)	1.937 (49.20)	1.811 (46.00)	1.145 (29.08) 1.135 (28.83)	1.085 (27.56) 1.075 (27.30)	M28
17	1.1875	1.752 (44.50)	1.626 (41.30)	2.063 (52.40)	1.937 (49.20)	1.270 (32.26) 1.260 (32.00)	1.210 (30.73) 1.200 (30.48)	M32
19	1.2500	1.937 (49.20)	1.811 (46.00)	2.189 (55.60)	2.063 (52.40)	1.395 (35.43) 1.385 (35.18)	1.335 (33.91) 1.325 (33.65)	M35
21	1.3750	2.063 (52.40)	1.937 (49.20)	2.311 (58.70)	2.189 (55.60)	1.520 (38.61) 1.510 (38.35)	1.460 (37.08) 1.450 (36.83)	M38
23	1.5000	2.189 (55.60)	2.063 (52.40)	2.500 (63.50)	2.300 (58.42)	1.645 (41.78) 1.635 (41.53)	1.585 (40.26) 1.575 (40.00)	M41
25	1.6250	2.311 (58.70)	2.189 (55.60)	2.625 (66.68)	2.400 (60.96)	1.770 (44.96) 1.760 (44.70)	1.710 (43.43) 1.700 (43.18)	M44

Jam-Nut Mount (H7) Panel Thickness			
DASH NO.	G DIM, OAL MAX	H DIM, MAX	J DIM, PANEL
-01	1.670 (42.42)	.890 (22.61)	.125 (3.18) .062 (1.57)
-02	1.780 (45.21)	1.090 (27.69)	.250 (6.35) .062 (1.57)
-03	2.030 (51.56)	1.340 (34.04)	.500 (12.70) .062 (1.57)