

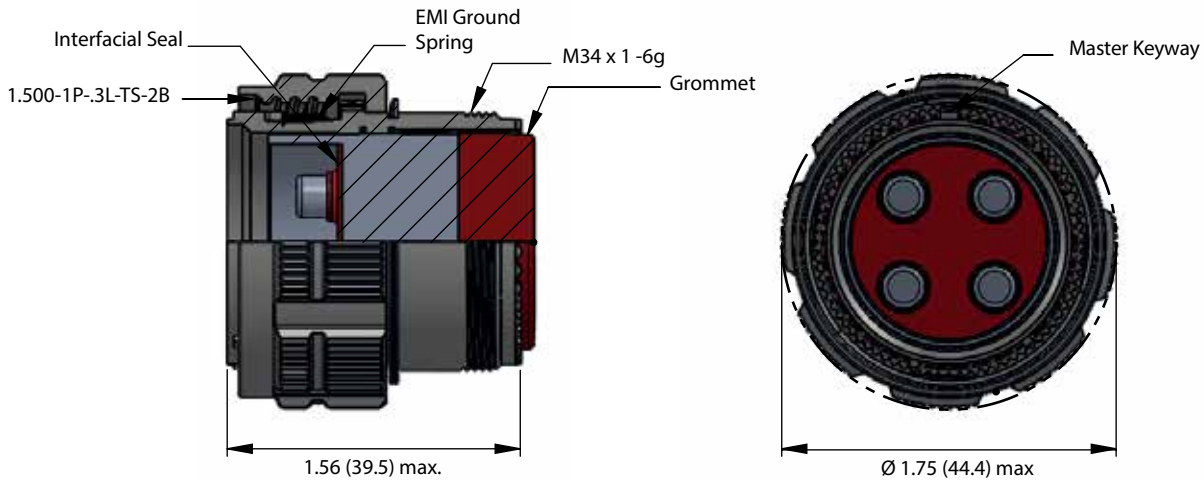
**MIL-DTL-38999 Series III Type IAW EN3645-01:23
233-230-G6 Pulse Width Modulation plug connector**

ENVIRONMENTAL CONNECTORS

PLUG CONNECTOR



Part Number Development						
Sample Part Number	233-230	-G6	Z1	23R48	P	N
Product Series	233-230 = SuperNine HV					
Connector Style	G6 = Plug, with EMI spring					
Finish	Z1 = CRES, passivated					
Insert Arrangement	23R48					
Contact Type	A = Less pin contacts		B = Less socket contacts			
	P = Pin		S = Socket			
Alternate Polarization	A, B, C, D, E, N = Normal (IAW MIL-DTL-38999 Series III) See page 3					



Materials	
Item	Material
Interfacial Seal	Silicone Elastomer
Spring EMI Contact	Copper Alloy
Plug	Passivated Stainless Steel
Coupling Nut with Ratched Spring	Passivated Stainless Steel
Retaining Ring	Stainless Steel
Pin Insert	Thermoplastic
Contact Retaining Clip	Copper Alloy
Seal Grommet	Silicone Elastomer
Ring Retaining Insert	Thermoplastic
Pin Crimp Contact	Gold Plated Copper Alloy