



MIL-DTL-38999 Series III Type

440-143 Composite Micro Banding Backshell with Qwik-Ty

BACKSHELLS AND ACCESSORIES

Part Number Development															
Sample Part Number	440					H	S	143	XM	15	09	D	B	T	S
Product Series	440 = Qwik-Ty EMI/RFI micro-banding backshells														
Connector Designator	H = MIL-DTL-38999 Series III														
Angular Function and Profile	A = 90° Standard Profile E = 90° Low Profile, Split W = 90° Low Profile, Solid			D = 90° Med Profile, Split S = Straight T = 45° Elbow											
Basic Number	143														
Finish	XB = No plating, black XD = No Plating, Desert Tan XW = 2000 hr, Cadmium O/D over Electroless Nickel			XM = 2000 hr, Electroless Nickel XMT = 2000 hr, Nickel-PTFE 1000 Hour Gray											
Connector Shell Size ¹	See dimensions table														
Cable Entry Code ⁶	See cable entry code table; omit for symbol D, W and E low profile 90° configurations.														
Drain Hole Option	D = With drain hole, omit if not required														
Band Option	B = Supplied with band, omit for none.														
Shrink Boot Option	T = Shrink boot, omit for none.														
Shield Termination Slot ⁷	S = With slot, omit for none.														

Dimensions											
Shell Size	Entry Code*	K ± .03	L ⁶	M ⁶	N Max	P ±.09	R ±.09	S Max	T Max	W ⁶	X (Max) ⁶
09	04	1.042 (26.5)	.304 (7.7)	.160 (4.1)	.63 (16.0)	.69 (17.5)	.88 (22.4)	1.36 (34.5)	.81 (20.6)	.232 (5.89)	.91 (23.11)
11	05	1.107 (28.1)	.432 (11.0)	.174 (4.4)	.66 (16.8)	.75 (19.1)	1.00 (24.5)	1.42 (36.1)	.81 (20.6)	.303 (7.70)	.97 (24.64)
13	07	1.174 (29.8)	.546 (13.9)	.195 (5.0)	.72 (18.3)	.81 (20.6)	1.13 (28.7)	1.48 (37.6)	.82 (20.8)	.370 (9.40)	1.02 (25.91)
15	09	1.241 (31.5)	.670 (17.0)	.315 (8.0)	.83 (21.1)	.88 (22.4)	1.31 (33.3)	1.55 (39.4)	.88 (22.4)	.492 (12.50)	1.08 (27.43)
17	05 and 11	1.305 (33.1)	.796 (20.2)	.385 (9.8)	.91 (23.1)	.94 (23.9)	1.38 (35.1)	1.61 (40.9)	.93 (23.6)	.590 (14.99)	1.16 (29.46)
19	07 and 13	1.371 (34.8)	.902 (22.9)	.445 (11.3)	.93 (23.6)	.97 (24.6)	1.44 (36.6)	1.64 (41.7)	.99 (25.1)	.673 (17.09)	1.25 (31.75)
21	09 and 15	1.438 (36.5)	1.027 (26.1)	.525 (13.3)	1.04 (26.4)	1.06 (26.9)	1.63 (41.4)	1.73 (43.9)	1.06 (26.9)	.776 (19.71)	1.34 (34.04)
23	11 and 16	1.505 (38.2)	1.152 (29.3)	.595 (15.1)	1.12 (28.4)	1.13 (28.7)	1.75 (44.5)	1.80 (45.7)	1.13 (28.7)	.873 (22.17)	1.43 (36.32)
25	07, 13 and 17	1.572 (39.9)	1.276 (32.4)	.655 (16.6)	1.18 (30.0)	1.19 (30.2)	1.88 (47.8)	1.86 (47.2)	1.05 (26.7)	.909 (23.09)	1.54 (39.12)
25 ⁴	--	1.850 (47.0)	1.460 (37.1)	.450 (11.4)	---	--	--	--	1.05 (26.7)	--	--

*For straight, 45° and 90° standard configuration

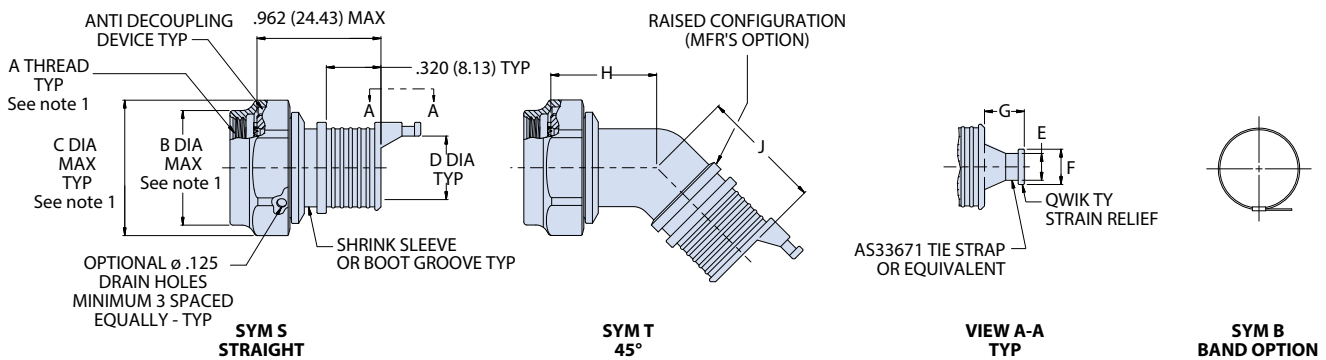
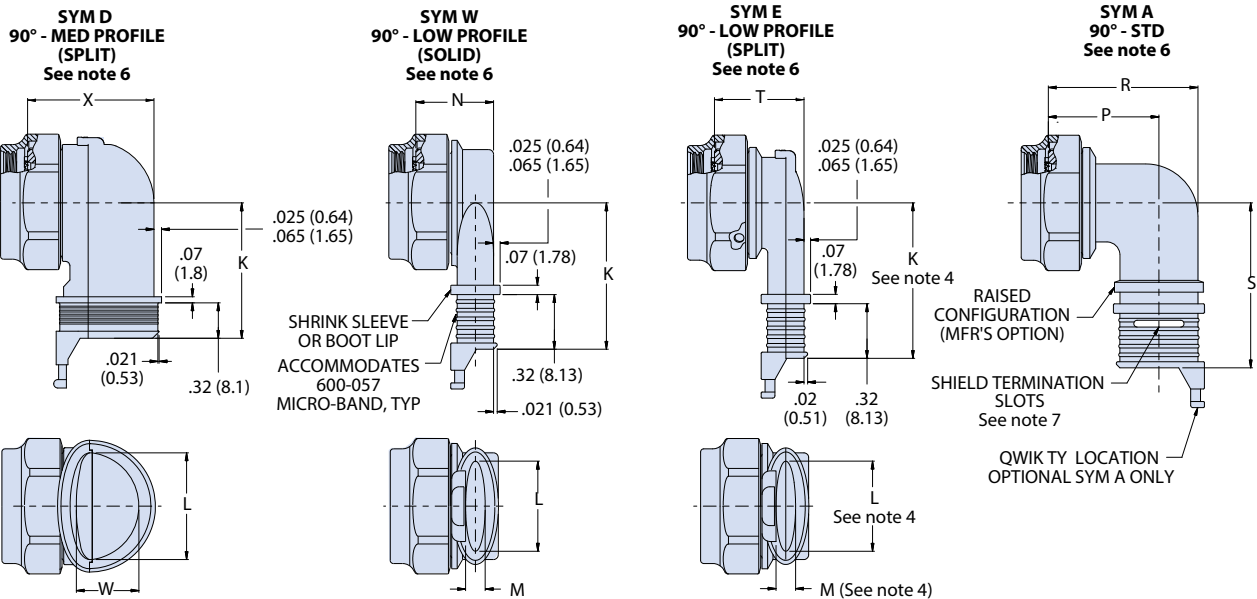
Cable Entry Code ⁶						
Entry Code	D ± .030	E Ref	F Ref	G Ref	H ±.060	J ±.090
04	.25 (6.4)	.187 (4.7)	.312 (7.9)	.512 (13.0)	.72 (18.3)	.87 (22.1)
05	.31 (7.9)	.187 (4.7)	.312 (7.9)	.512 (13.0)	.75 (19.1)	.93 (23.6)
07	.44 (11.2)	.187 (4.7)	.312 (7.9)	.512 (13.0)	.75 (19.1)	1.00 (25.4)
09	.56 (14.2)	.219 (5.6)	.375 (9.5)	.630 (16.0)	.76 (19.3)	1.03 (26.2)
11	.68 (17.3)	.219 (5.6)	.375 (9.5)	.630 (16.0)	.78 (19.8)	1.05 (26.7)
13	.81 (20.6)	.219 (5.6)	.375 (9.5)	.630 (16.0)	.79 (20.1)	1.06 (26.9)
15	.94 (23.9)	.219 (5.6)	.375 (9.5)	.630 (16.0)	.82 (20.8)	1.09 (27.7)
16	1.00 (25.4)	.219 (5.6)	.375 (9.5)	.630 (16.0)	.86 (21.8)	1.13 (28.7)
17	1.16 (29.5)	.250 (6.4)	.437 (11.1)	.630 (16.0)	.89 (22.6)	1.16 (29.5)

MIL-DTL-38999 Series III Type

440-143 Composite Micro Banding Backshell with Qwik-Ty

BACKSHELLS AND ACCESSORIES

COMPOSITE BACKSHELL WITH SELF-LOCKING COUPLING NUT, QWIK-TY, SHRINK BOOT GROOVE AND MICRO-BAND BANDING PORCH



NOTES

1. See composite accessory interface data on page H-6
2. For effective grounding, conductive finish should be used
3. Glenair 600 series backshell assembly tools are recommended for assembly and installation
4. For SYM 'E', low profile split (SS 24/25) dimensions use indicated row in dimensions table.
5. For interface O-ring seal append mod code 101A
6. Entry code is not used for angular functions "D", "W" and "E". Entry dimensions for these configurations are per shell size in dimensions table
7. Minimum of two shield termination slots will be supplied on backshell with exception of symbol 'E', which is supplied with one slot
8. Material/finish
 - Adapter: high grade engineering thermoplastic/ see part number development, finish
 - coupling nut and anti-decoupling device: high grade engineering thermoplastic/ supplied unplated

