

MIL-DTL-38999 Series III Type

239-204 Flange gasket for wall-mount receptacles

BACKSHELLS AND ACCESSORIES

How to Order 239-204			
Sample Part Number	239-204	09	H
Series	Flange gasket		
Dash No.	See Table II		
Material	See Table I		

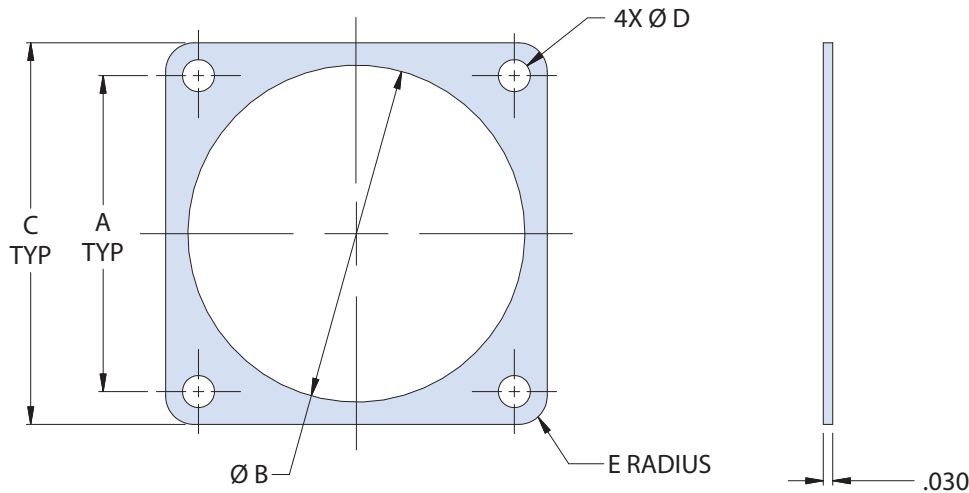


Table I: Material	
Sym	Material
B	Silver-plated aluminum-filled silicone per MIL-DTL-83528, Type "B" (CHO-Seal 1285 or equivalent)
C	Passivated silver-plated aluminum-filled fluorosilicone per MIL-DTL-83528, Type "D" (CHO-Seal 1298 or equivalent)
D	Nickel-coated graphite-filled silicone (CHO-Seal S6305 or equivalent)
E	Nickel-plated graphite-filled EPDM (CHO-Seal 6307 or equivalent)
F	Fluorosilicone
G	Silver-plated nickel-filled EPDM (CHO-Seal 6435 or equivalent)
H	Silver-plated copper-filled silicon per MIL-DTL-83528, Type "A" (CHO-Seal 1215 or equivalent)
J	Nickel-coated graphite-filled fluorosilicone (CHO-Seal L6303)
K	Oriented monel wires in silicone substrate (Chomerics 07-0701 or equivalent)
L	Silicone-filled monel screen cloth or expanded metal (Metex 704-9311 or equivalent)
M	Silver-plated glass-filled silicone (Tecknit Consil-II, Jabar 803-0158 or equivalent)
N	Neoprene
S	Silicone
V	Viton (fluorocarbon)

Table II: Dimensions										
Dash No.	A ±.005		B ±.007		C ±.008		ØD ±.005		E Rad. ±.015	
	in	mm	in	mm	in	mm	in	mm	in	mm
-09	.719	18.3	.687	17.4	.937	23.8	.125	3.2	.105	2.7
-11	.812	20.6	.772	19.6	1.031	26.2	.125	3.2	.105	2.7
-13	.906	23.0	.937	23.8	1.125	28.6	.125	3.2	.105	2.7
-15	.969	24.6	1.063	27.0	1.250	31.8	.125	3.2	.135	3.4
-17	1.062	27.0	1.187	30.1	1.343	34.1	.125	3.2	.135	3.4
-19	1.156	29.4	1.312	33.3	1.467	37.3	.125	3.2	.135	3.4
-21	1.250	31.8	1.437	36.5	1.562	39.7	.125	3.2	.135	3.4
-23	1.375	34.9	1.562	39.7	1.703	43.3	.152	3.9	.135	3.4
-25	1.500	38.1	1.600	40.6	1.812	46.0	.152	3.9	.135	3.4