

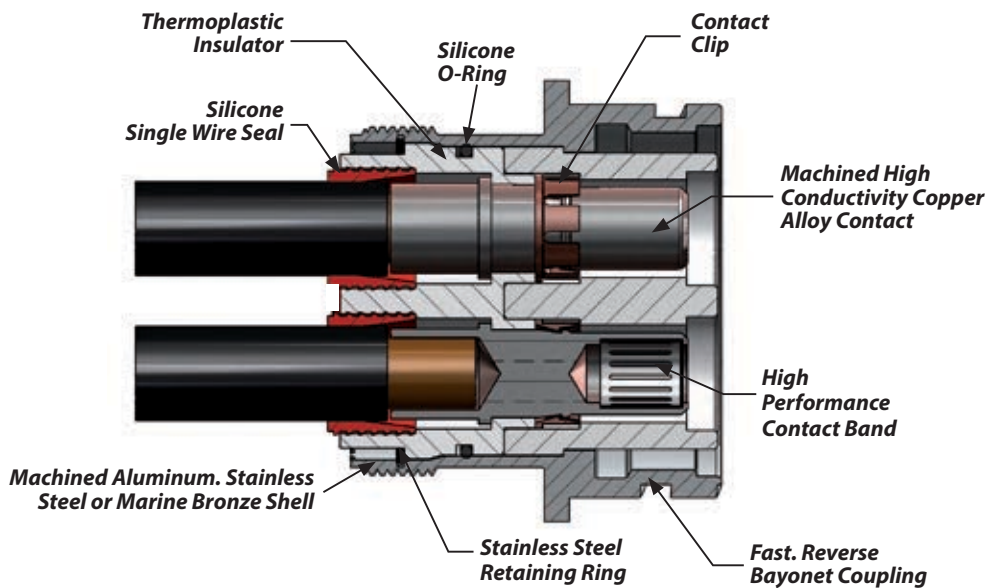


ADVANCED PERFORMANCE
**Super ITS-921 Reverse-Bayonet
 Rigid Insert, High-Ampacity Connectors**
 Features and Benefits



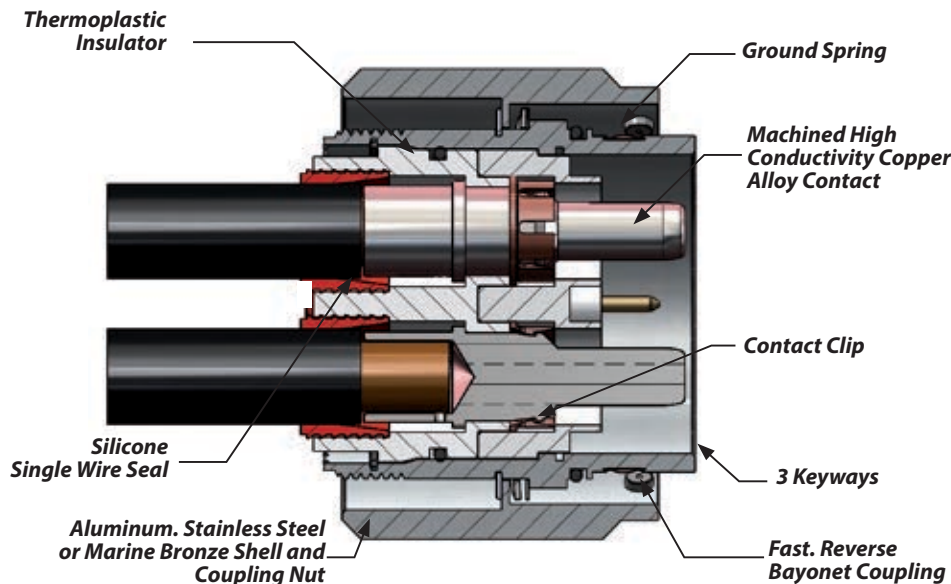
The Super ITS - 921 Connector Series is a high ampacity, harsh environment connector capable of meeting the demanding requirements of power applications utilizing the latest generation of high-temperature power cables. Compared to legacy 5015 solutions, Super ITS - 921 offers better durability, better wire and connector interface sealing, integrated crimp contact retention clips, thermoplastic insulators, precision-machined shells, and more.

RECEPTACLE



- Fast, easy connector mating with reverse-bayonet coupling
- 3 polarizing keys
- Higher-density insert arrangements for reduced size and weight
- LouverBand Size 0, 4 and 8 socket contacts for high ampacity and longer life
- Crimp. front-release high-conductivity copper contacts
- Individual wire seals
- -65° C to +180° C operating temperature range
- Size 8. 4 and 1/0 power contact sizes
- Size 16 and 12 signal contact size
- Precision-machined plug bodies and receptacle shells

PLUG



SUPER ITS: HARSH ENVIRONMENT

A