



SERIES 23

38999 type connectors with SpeedMaster™ 10G high-speed contacts



233-220 Wall Mount, PC Tail Receptacle - How To Order

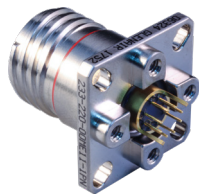
Part Number Development							
Sample Part Number	233-220 -07 ME 25 -7 P N						
Series / Basic Part No.	SuperNine Environmental High-Speed connector						
Connector Style*	See connector type table						
Material/Finish	NF = Cadmium Olive Drab ZR = Black Zinc Nickel		MT = Nickel PTFE ME = Electroless Nickel				
Shell Size	11, 19, 21, 25						
Insert Arrangement	See Insert Arrangement Table						
Module Type	P = Pin S = Socket						
Alternate Polarization	A, B, C, D, E, N = Normal (IAW MIL-DTL-38999 Series III); See alternate positions table.						



Socket Module



Pin Module



NOTES

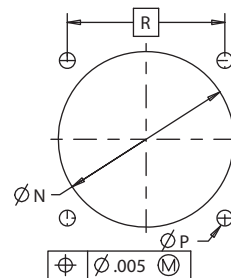
1. Only mates with Glenair SpeedMaster plug of same keying insert arrangement. Mating connector must have 1.5 meters minimum of cable length
2. All inserts have ground plane

Connector Style	
Symbol	Description
00	Wall mount receptacle with slotted holes, standard standoff threads
10	Wall mount receptacle with slotted holes, metric standoff threads
CM	Wall mount receptacle with metric clinch nuts
CS	Wall mount receptacle with standard clinch nuts
HM	Wall mount receptacle with metric helicoils
HS	Wall mount receptacle with standard helicoils
07	Jam-nut receptacle

Insert Arrangements			
11-1	19-3	21-4	25-7

Alternate Positions						
Keyway Positions (Receptacle)						
Shell Size Code	Shell Size	Alternate Position Code	AR°	BR°	CR°	DR°
B	11	N	95	141	208	236
		A	113	156	182	292
		B	90	145	195	252
		C	53	156	220	255
		D	119	146	176	298
F G J	19 21 25	N	80	142	196	293
		A	135	170	200	310
		B	49	169	200	244
		C	66	140	200	257
		D	62	145	180	280
		E	79	153	197	272

WALL MOUNT PANEL MOUNTING HOLES



Mounting Hole Dimensions			
Shell Size	ØN Min	ØP Holes	R Typ
11	.796 (20.2)	.133 (3.4)	.812 (20.6)
19	1.297 (32.9)		1.156 (29.4)
21	1.422 (36.1)	.155 (3.9) .145 (3.7)	1.250 (31.8)
25	1.672 (42.5)		1.500 (38.1)



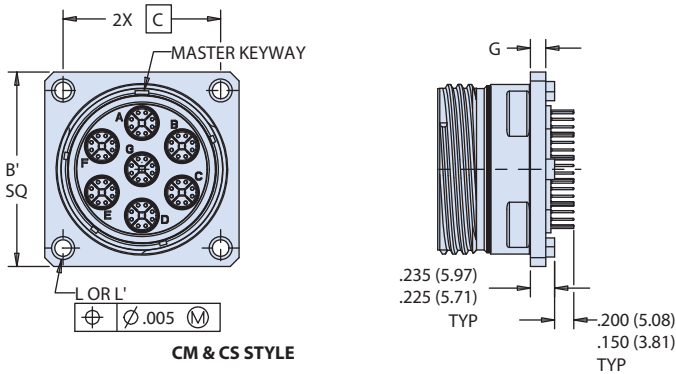
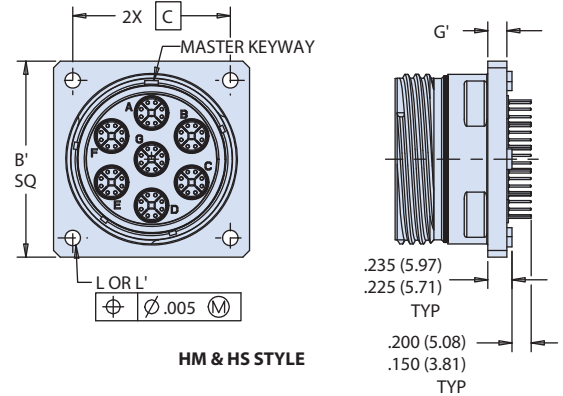
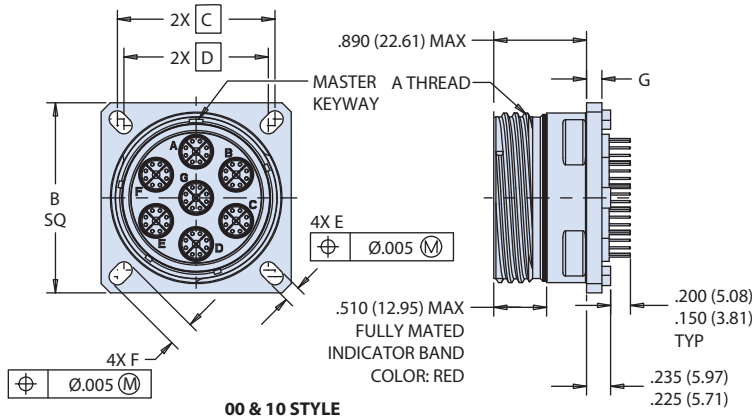
SERIES 23

38999 type connectors with SpeedMaster™ 10G high-speed contacts

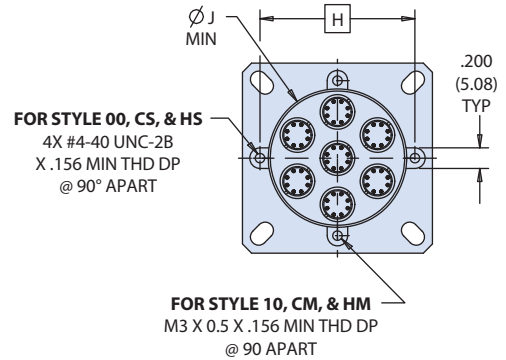


233-220 PC Tail, Wall Mount Receptacle - Dimensions

00, 10, CM, CS, HM, AND HS - WALL MOUNT RECEPTACLES WITH SLOTTED HOLES D38999/20 TYPE

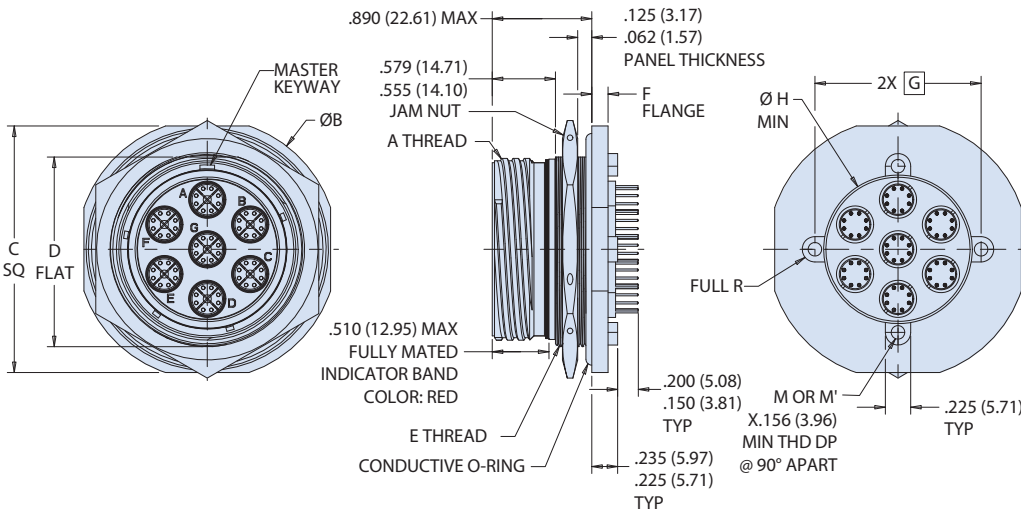


Rear view applies to all connector styles

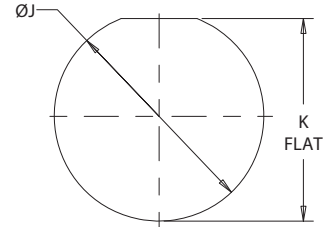


Dimensions															
Shell Size	A Thread -0.1P-0.3L-TS-2A	B Sq	B' Sq	C Bsc	D Bsc	E	F	G	G'	H Bsc	ØJ Min	L	L'		
11	.7500	1.043 (26.49) 1.019 (25.88)	1.187 (30.15) 1.147 (29.13)	.812 (20.62)	.719 (18.26)			.122 (3.10) .083 (2.11)	.179 (4.55)	.719 (18.26)	.468 (11.89)				
19	1.2500	1.449 (36.80) 1.425 (36.20)	1.531 (38.89) 1.491 (37.87)	1.156 (29.36)	1.062 (26.97)	.136 (3.45) .120 (3.05)	.202 (5.13) .186 (4.72)	.153 (3.89) .114 (2.90)	1.15 (29.21)	1.15 (29.21)	.934 (23.72)	.112-40 UNC-2B	M3x0.5		
21	1.3750	1.575 (40.00) 1.551 (39.40)	1.625 (41.28) 1.585 (40.26)	1.250 (31.75)	1.156 (29.36)				1.221 (31.01)	1.221 (31.01)	1.055 (26.80)				
25	1.6250	1.823 (46.30) 1.799 (45.69)	1.875 (47.63) 1.835 (46.61)	1.500 (38.10)	1.375 (34.92)	.250 (6.35) .234 (5.94)	.250 (6.35) .234 (5.94)		1.475 (37.47)	1.745 (44.32)	1.307 (33.20)			.138-32 UNC-2B	M4x0.7

07- JAM-NUT MOUNT RECEPTACLE D38999/24 TYPE



PANEL CUT-OUT



Dimensions		
Shell Size	ØJ ±0.010	K Flat
11	.830 (21.08)	.766 (19.46)
19	1.390 (35.31)	1.330 (33.78)
21	1.515 (38.48)	1.455 (36.96)
25	1.765 (44.83)	1.705 (43.31)

Dimensions										
Shell Size	A Thread -0.1P-0.3L-TS-2A	ØB	C Sq	D Flat	E Thread ISO Metric	F	G	ØH Min	Threads	
									M	M'
11	.7500	1.386 (35.20) 1.362 (34.59)	1.268 (32.21) 1.263 (32.08)	0.755 (19.18) 0.745 (18.92)	M20 X 1.0-6g	0.122 (3.10) 0.083 (2.11)	0.719 (18.26)	0.468 (11.89)	.112-40 UNC-2B	M3 X .05
21	1.3750	2.075 (52.71) 2.051 (52.10)	1.953 (49.61) 1.921 (48.79)	1.441 (36.60) 1.431 (36.35)	M38 X 1.0-6g	1.221 (31.01)	1.055 (26.80)			
								25		

PCB FOOTPRINTS

