

# Space-grade, blind mate connectors

## MIL-DTL-38999 Series III Type Space-Grade Connectors

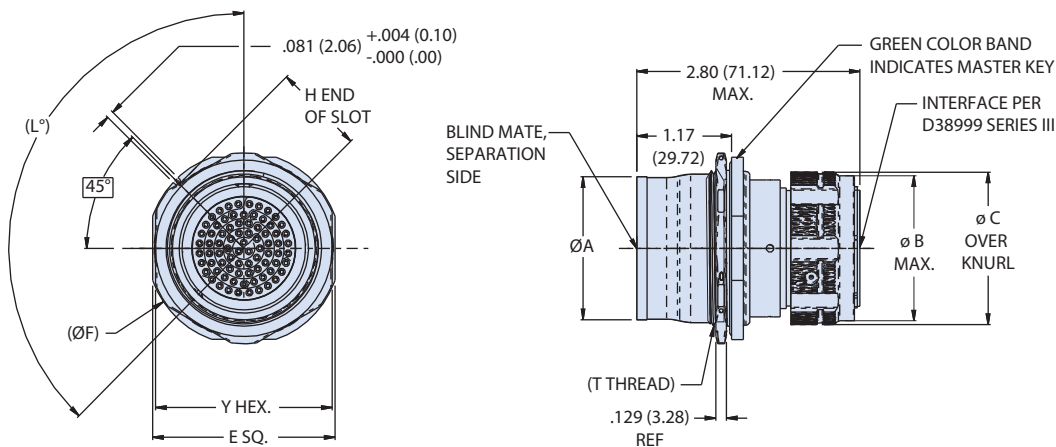
Jam-nut mount feed-thru; blind-mate receptacle to D38999 type plug

Part Number Development						
Sample Part Number	253-033	-07	ME	25-35	PP	N
Series / Basic Part No.	253-033 = Floating jam-nut mount, feed-thru receptacle with rear D38999 Series III plug interface. Receptacle interface also available, contact factory					
Connector Style	-07 = Jam-nut mount, float mount					
Material/Finish	ME = Aluminum, electroless nickel MT = Aluminum, nickel PTFE		ZL = CRES, electrodeposited nickel Z1 = CRES, passivated			
Shell Size-Insert Arrangement*	Per MIL-STD-1560; symmetrical layouts only, consult factory for complete details					
Contact Type	PP = Pin on both sides SS = Socket on both sides		BSDP = Blind-mate side socket - D38999 side pin BPDS = Blind-mate side pin - D38999 side socket			
Alternate Polarization*	A = 40°, B = 65°, C = 80°, D = 210°, E = 250°, F = 280°, G = 310°, H = 330°, N = 135° (Normal) Per L°. Refers to blind mate side. Plug side per MIL-DTL-38999. See alternate polarizations table					

\*Refer to C-5 to C-12 for insert arrangements.

For Space-Grade modification codes see pages C-3 thru C-4. Modification codes may be added directly to the end of any valid part number

### 253-033, JAM NUT MOUNT FEED-THRU, MISALIGNMENT CAPABLE



Alternate Polarizations	
ID	L°
N	135°
A	40°
B	65°
C	80°
D	210°
E	250°

Dimensions for 253-033								
Shell Size	Ø A Max	T Thread Class 2A	Y Hex Flats	E flange ±.016	ØF Flange	H End of Slot +0/- .008	ØB Max	ØC Max
13	.978	1.1250-18 UNEF	1.300 (33.02)	1.391 (35.33)	1.6441 (41.76)	.729 (18.52)	1.050 (26.67)	1.200 (30.48)
15	1.103	1.2500-18 UNEF	1.457 (37.01)	1.516 (38.51)	1.750 (44.45)	.791 (20.09)	1.180 (29.97)	1.320 (33.53)
23	1.603	1.7500-18 UNEF	2.010 (51.05)	2.078 (52.78)	2.312 (58.72)	1.072 (27.23)	1.670 (42.42)	1.790 (45.47)
25	1.728	1.8750-18 UNEF	2.125 (53.97)	2.200 (55.88)	2.327 (59.11)	1.096 (27.84)	1.800 (45.72)	1.920 (48.77)

#### NOTES:

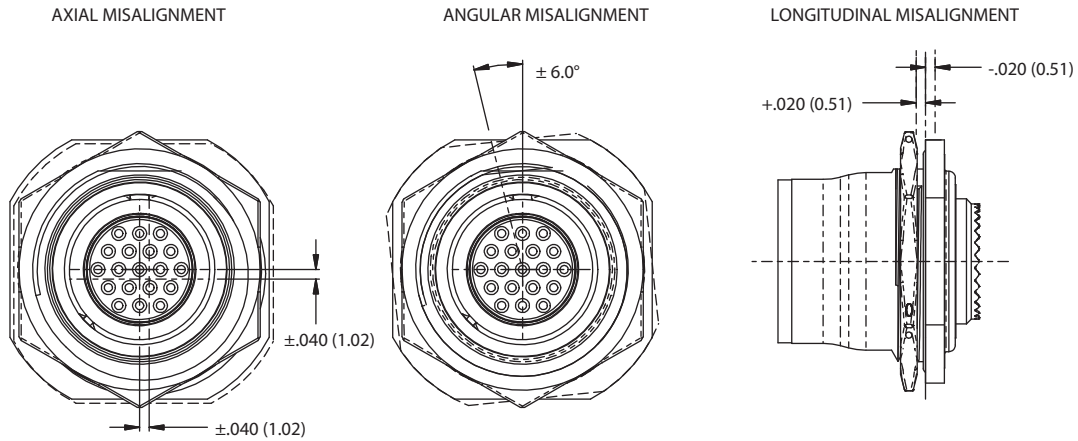
- Distance between mated mounting flanges: 1.808 Consult manufacturer other distance between mounting flanges is required
- See Space-Grade guidelines material, in this section, for outgassing/screening options available
- Stainless steel locating pin (Ø.079) shipped with each connector
- Misalignment capabilities are possible with mated pair reference Glenair connector 253-018

# Space-grade, blind mate connectors

## MIL-DTL-38999 Series III Type Space-Grade Connectors

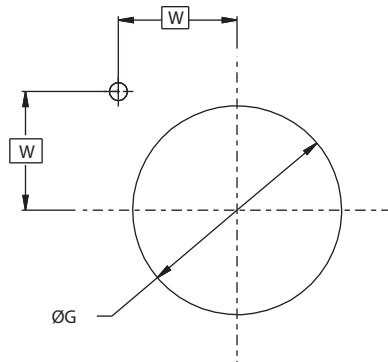
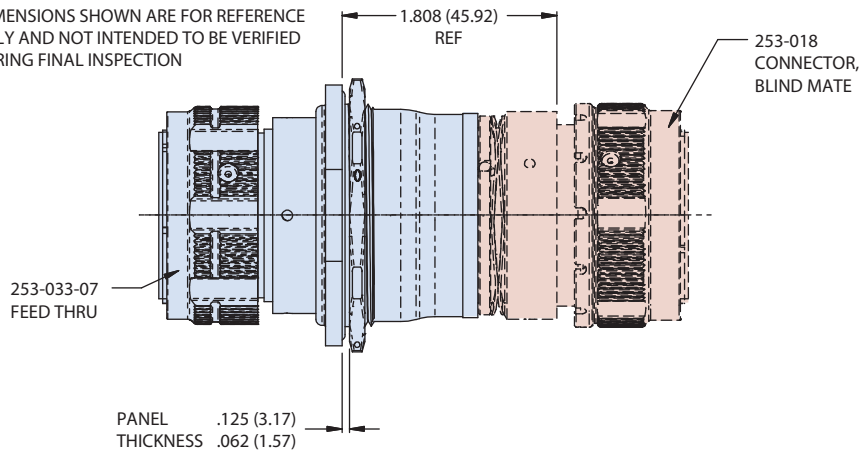
Jam-nut mount feed-thru; blind-mate receptacle to D38999 type plug

### MISALIGNMENT CAPABILITIES (see note 4)



### Distance Between Mated Flanges

\*DIMENSIONS SHOWN ARE FOR REFERENCE ONLY AND NOT INTENDED TO BE VERIFIED DURING FINAL INSPECTION



Recommended Panel Cut-out		
Shell Size	$\text{ØG}$ , Thru Hole $\pm 0004$ (0.10)	W Basic
13	1.134 (28.80)	.549 (13.94)
15	1.259 (31.98)	.593 (15.06)
23	1.759 (44.68)	.797 (20.24)
25	1.884 (47.85)	.809 (20.55)