

# Space-grade, blind mate connectors

## MIL-DTL-38999 Series III Type Space-Grade Connectors

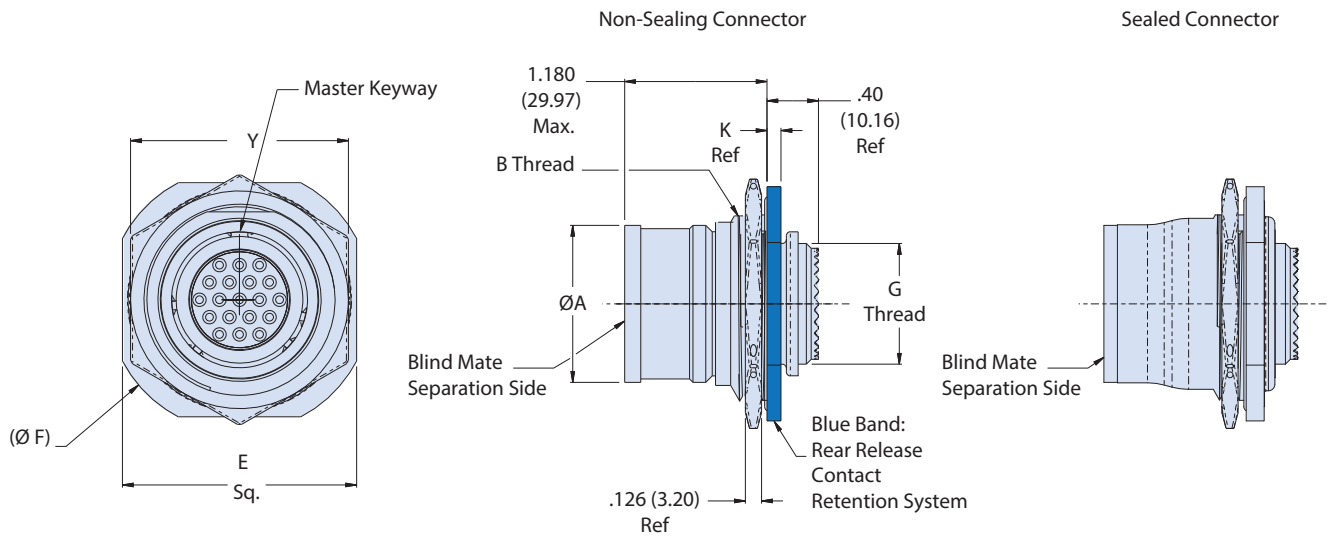
Float mount flange receptacle, rack and panel connector, misalignment capable

Part Number Development	
Sample Part Number	253-032 -07 ME 25-35 S N NS
Series / Basic Part No.	253-032 = Blind-mate receptacle for use with 253-031 plug
Connector Mounting	-07 = Floating jam nut mount receptacle
Material/Finish	ME = Aluminum, electroless nickel ZL = CRES, electrodeposited nickel MT = Aluminum, nickel PTFE Z1 = CRES, passivated
Shell Size-Insert Arrangement*	Per MIL-STD-1560; Symmetrical layouts only, consult factory for complete details.
Contact Type	P = Pin, crimp removable A = Pin insert less contacts S = Socket, crimp removable B = Socket insert less contacts
Alternate Polarization*	A = 40°, B = 65°, C = 80°, D = 210°, E = 250°, F = 280°, G = 310°, H = 330°, N = 135° (Normal) Per L° BSC. Refers to blind mate side.
Non Sealing	NS = Non-Sealing (omit for external elastomer seal version)

\*Refer to C-5 to C-12 for insert arrangements.

For Space-Grade modification codes see pages C-3 thru C-4. Modification codes may be added directly to the end of any valid part number

### 253-032 FLOATING JAM-NUT MOUNT RECEPTACLE WITH MISALIGNMENT ACCOMMODATION; MATES WITH 253-031 ONLY



#### NOTES:

1. Connector mates with Glenair 253-031 series connector, having the same insert arrangement and polarization.
2. Insert arrangement is in accordance with MIL-STD-1560 arrangements only. Contact manufacturer for availability.
3. Misalignment capabilities are possible

- when mated with Glenair connector 253-031
4. See Space-Grade guidelines material, in this section, for outgassing/screening options available
5. Material/ finish:
  - Shell, flange, jam-nut: see part number

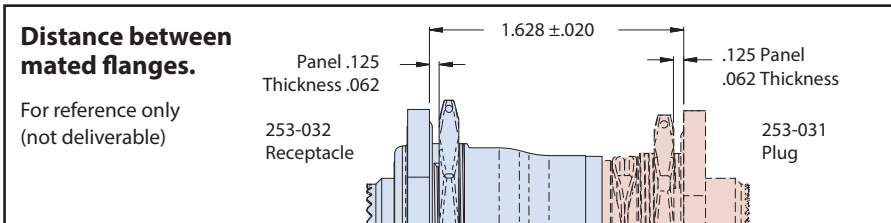
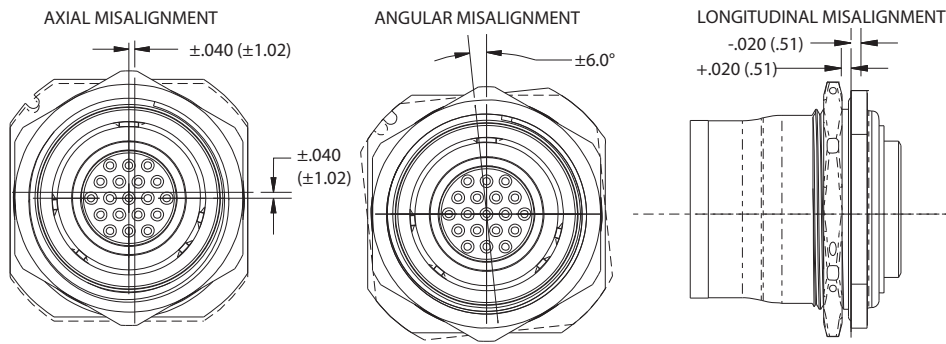
- development, finish
  - Wave spring: CRES 17-7PH/passivate
  - Insulators: high grade rigid dielectric/N.A.
  - Contacts: copper alloy/gold plated
  - O-ring: fluorosilicone blend/N.A.

# Space-grade, blind mate connectors

## MIL-DTL-38999 Series III Type Space-Grade Connectors

Float mount flange receptacle, rack and panel connector, misalignment capable

### Misalignment Capabilities



Dimensions							
Shell Size	ØA Max	B Thd, Class 2A	Y Hex	E ±.016 (0.41)	Ø F Max	Thd G, Class 2A	K .011/-010 (0.28/ 0.25)
11	.853 (21.67)	1.1250-18 UNEF	1.300 (33.02)	1.391 (35.33)	1.641 (41.68)	.5625-24	.109 (2.77)
13	.978 (24.84)	1.2500-18 UNEF	1.457 (37.01)	1.516 (38.51)	1.750 (44.45)	.6875-24	.109 (2.77)
15	1.103 (28.02)	1.3750-18 UNEF	1.575 (40.00)	1.641 (41.68)	1.938 (49.23)	.8125-20	.109 (2.77)
17	1.228 (31.19)	1.5000-18 UNEF	1.693 (43.00)	1.828 (46.43)	2.062 (52.37)	.9375-20	.140 (3.56)
19	1.353 (34.37)	1.6250-18 UNEF	1.811 (46.00)	1.954 (49.63)	2.188 (55.58)	1.0625-18	.140 (3.56)
21	1.478 (37.54)	1.7500-18 UNS	2.010 (51.05)	2.078 (52.78)	2.312 (58.72)	1.1875-18	.140 (3.56)
23	1.603 (40.72)	1.8750-16 UNS	2.209 (56.11)	2.128 (54.05)	2.327 (59.11)	1.3125-18	.140 (3.56)
25	1.728 (43.89)	2.0000-16 UN	2.334 (59.28)	2.253 (57.23)	2.452 (62.28)	1.4375-18	.140 (3.56)

Recommended Panel Cutout		
Shell Size	Ø B .010/-0.000 (0.25/.00)	W +0.000/-010 (.00/-25)
11	1.135 (28.83)	1.085 (27.56)
13	1.260 (32.00)	1.210 (30.73)
15	1.385 (35.18)	1.335 (33.91)
17	1.510 (38.35)	1.460 (37.08)
19	1.635 (41.53)	1.585 (40.26)
21	1.760 (44.70)	1.710 (43.43)
23	1.885 (47.88)	1.835 (46.61)
25	2.010 (51.05)	1.960 (49.78)

