

# Medium-duty hold-down release mechanism

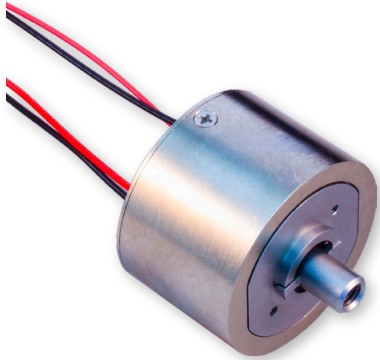
## 1000 lb. release preload

## Redundant circuit, metric thread

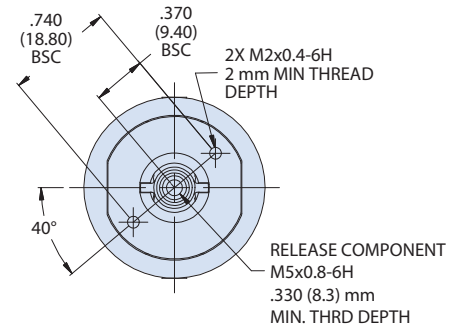
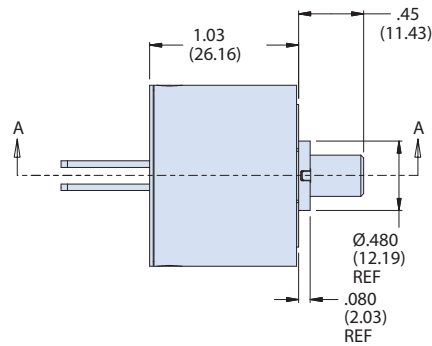
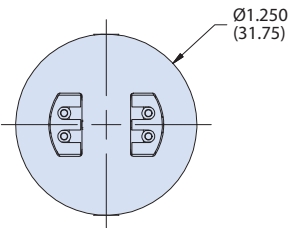
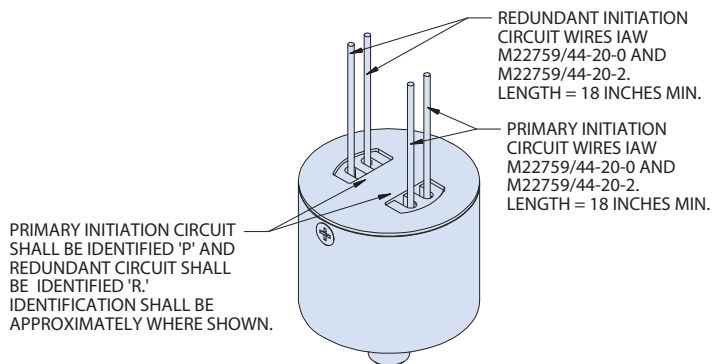


### REDUNDANT CIRCUIT HOLD DOWN RELEASE MECHANISM, MEDIUM DUTY

A



How To Order		
Sample Part No.	061	-024
Basic Part No.	Medium Duty HDRM	
Dash No.	Redundant Circuit	



#### NOTES

- Unit is identified with Glenair name, CAGE code, part number, and date code, space permitting. Primary initiation circuit identified with "P" and redundant with "R".
- Release preload 1000 lbs. (4.5 kN) on similar model, contact factory
- Similar model qualification complete, consult factory for details
- Reference Glenair P/N 060-124 for refurbishment initiator

Physical characteristics	
Mass	65.2 grams approximate weight
Release component thread	M5x0.8-6H*
Material list	IAW MSFC-STD-3029
Epoxy	Outgassing requirements per GSC19384
Device features	
Redundant initiation	2 initiation points
Field refurbishable	Initiator can be replaced in less than 15 minutes by trained personnel
Reliability prediction	0.9999994
Packaging	External housing typically supplied with two mounting points. Custom housings and mountings available
Connectorization	Standard design supplied with wire inputs. Connectorized versions available
Scalable bolt size	Bolt size determines preload and can be scaled to accommodate a wide range of requirements
*Size callout based on the bolt size to be used. Consult factory for qualification test report.	

061-006

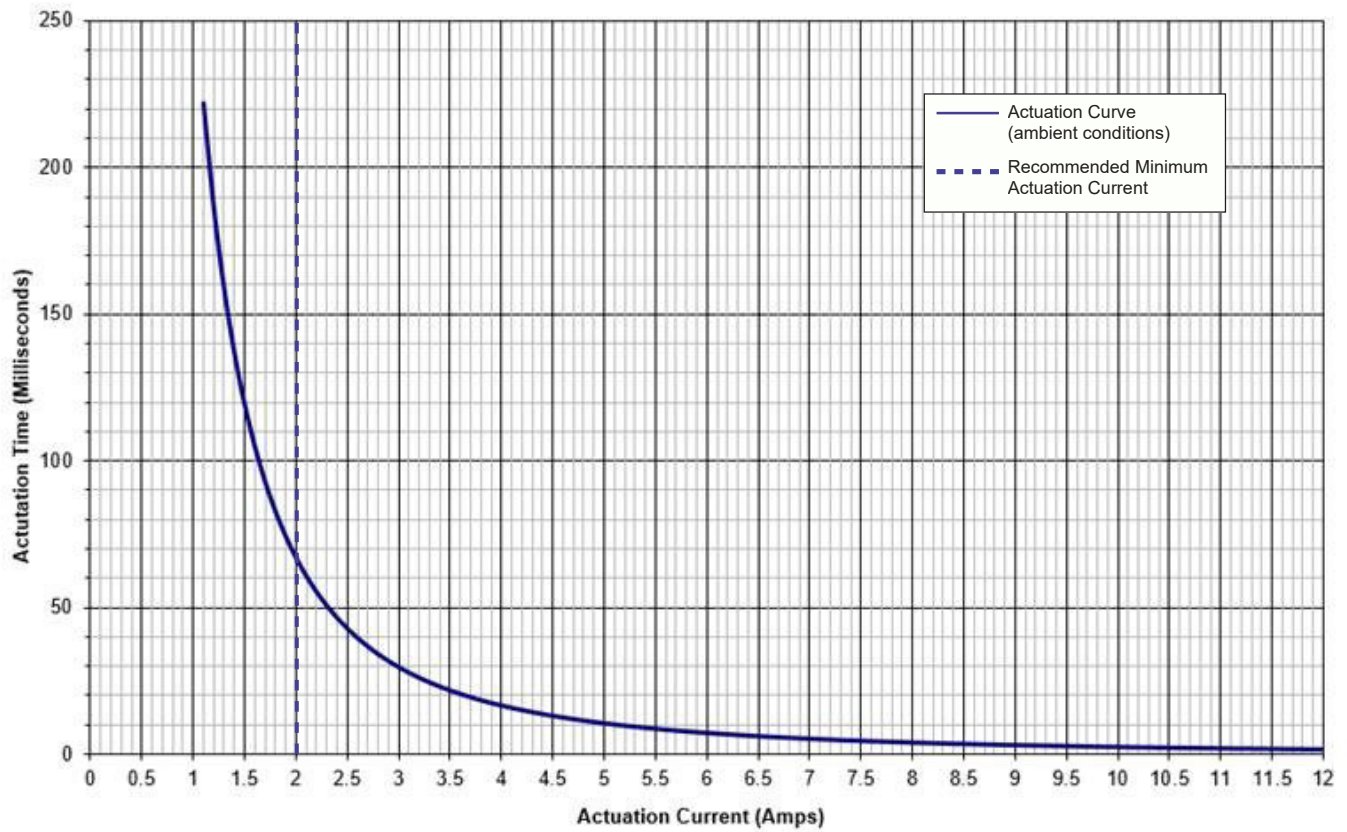
# Medium-duty hold-down release mechanism

1000 lb. release preload

Actuation curve



Actuation Curve for 061-006 Mechanism  
(ambient conditions)



A