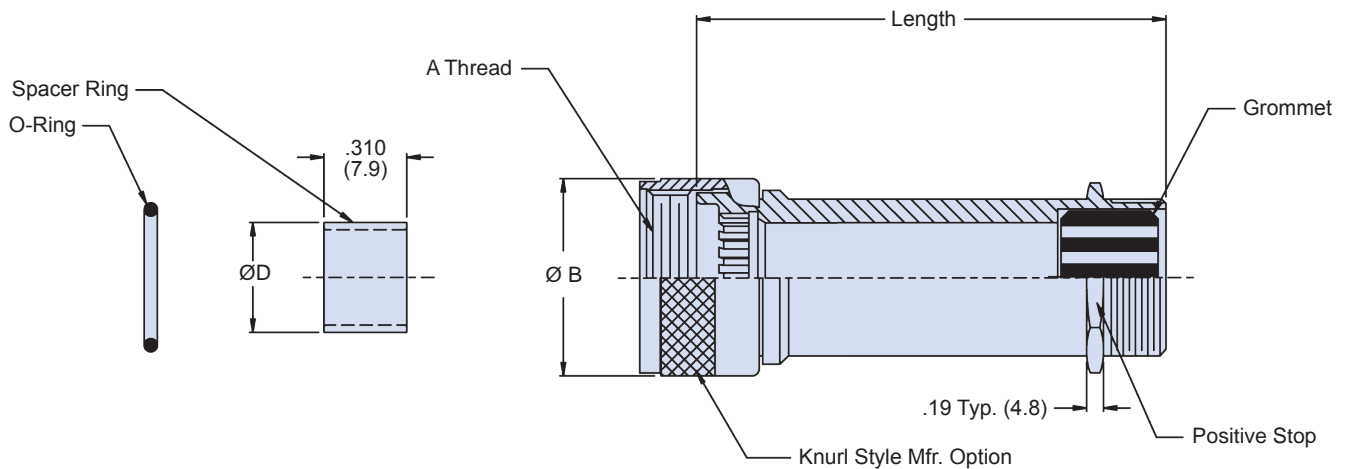
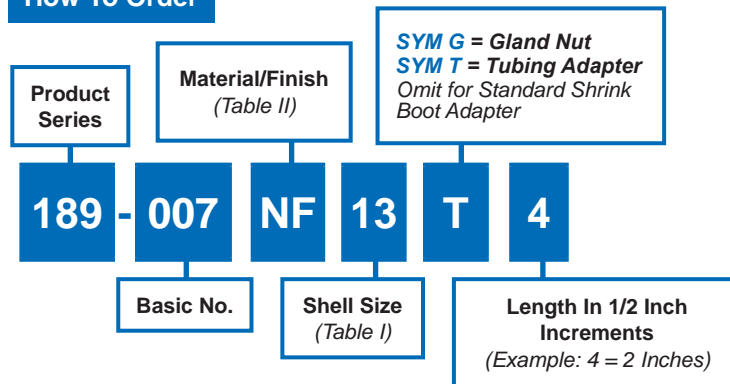


**MIL-PRF-28876 Fiber-Con backshell**
**How To Order**

**Material and Finish**

Adapters, Coupling Nuts, Ferrule, Compression Nut, Spacer Ring: see table II  
 Grommet: Fluorosilicone  
 O-Ring: Fluorosilicone

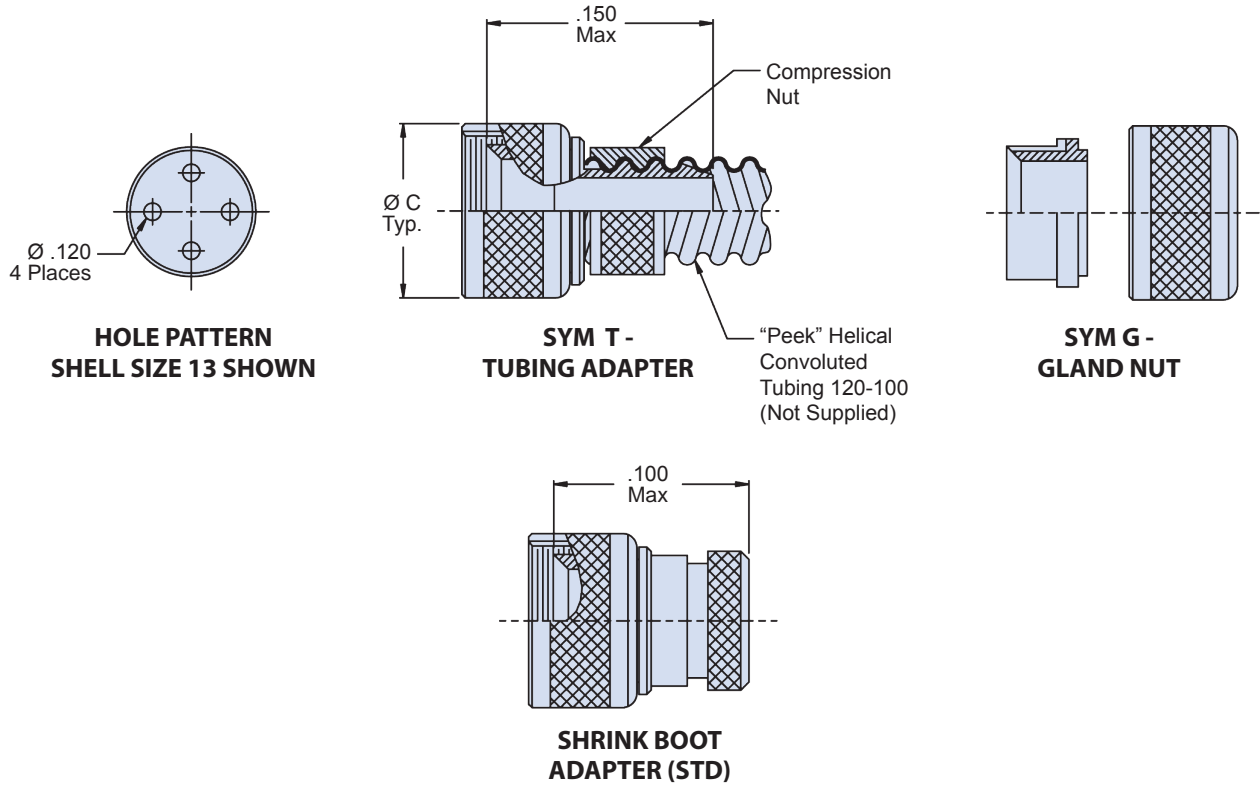
**Notes**

Glenair 600 Series Backshell assembly tools are recommended for assembly and installation. Spacer Ring and O-Ring are packaged loose and must be installed with Connector at time of assembly. The Spacer is utilized to retain the Terminus Insert. Standard minimum order is 1.5 inch. Consult factory for shorter length.

**189-007**  
**Fiber-Con Backshell**  
 for MIL-PRF-28876 Connectors



MIL-PRF  
28876



**Table I**

Shell Size	Designator (Ref)	A Thread Class 2B	B Max	C Max	D Max	Conduit Size	No. Of Holes
11	A	3/4-20 UNEF	1.03 (26.2)	-	.41 (10.4)	12	2
13	B	7/8-20 UNEF	1.14 (29.0)	1.12 (28.4)	.53 (13.5)	16	4
15	C	1-20 UNEF	1.26 (32.0)	1.34 (34.0)	.71 (19.0)	24	8
23	F	17/16-18 UNEF	1.70 (43.2)	1.66 (42.2)	1.12 (28.4)	28	31

**Table II: Material and Finish**

Code		Finish Description
M	Aluminum Alloy	Electroless Nickel
NF		Cadmium/Olive Drab Over Electroless Nickel (500 hour salt spray)

Refer to Appendix for material/finish details