

M28840/11 In-Line Receptacle Connector

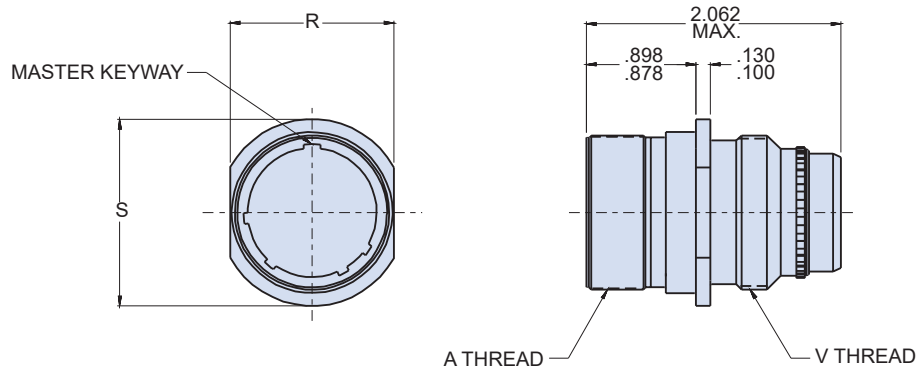
Military Designator

Shell Size

Contact Style
*P, S, F, G, D or E***M28840/11****A****G****1****P****1****Material and Finish**

A - Class D: Aluminum, Cadmium Plate, O.D. over Electroless Nickel
B - Class DS: Corrosion Resistant Steel, Cadmium Plate, Black
L - Class T: Aluminum, Tin-Zinc Plate over Electroless Nickel, Non-Reflective

Insert Arrangement

Key Position
1, 2, 3, 4, 5 and 6

| Military Shell Size | Shell Size | A Thread Class 2A | V Thread Class 2A | R | S Diameter |
|---------------------|------------|--------------------|-------------------|--------------------------------|--------------------------------|
| A | 11 | .750-.1P-.2L-D.S. | .750-20 UNEF | .768 (19.51) .758 (19.25) | .963 (24.46) .943 (23.95) |
| B | 13 | .875-.1P-.2L-D.S. | .875-20 UNEF | .893 (22.68) .883 (22.43) | 1.088 (27.63) 1.063 (27.13) |
| C | 15 | 1.062-.1P-.2L-D.S. | 1.000-20 UNEF | 1.080 (27.43) 1.070 (27.18) | 1.275 (32.38) 1.255 (31.88) |
| D | 17 | 1.125-.1P-.2L-D.S. | 1.125-18 UNEF | 1.143 (29.03) 1.133 (28.78) | 1.338 (33.98) 1.318 (33.48) |
| E | 19 | 1.312-.1P-.2L-D.S. | 1.250-18 UNEF | 1.330 (33.78) 1.320 (33.53) | 1.525 (38.74) 1.505 (38.23) |
| F | 23 | 1.500-.1P-.2L-D.S. | 1.437-18 UNEF | 1.518 (38.56) 1.508 (38.30) | 1.713 (43.51) 1.693 (43.00) |
| G | 25 | 1.625-.1P-.2L-D.S. | 1.562-18 UNEF | 1.643 (41.73) 1.633 (41.48) | 1.838 (46.09) 1.818 (46.18) |
| H | 29 | 1.812-.1P-.2L-D.S. | 1.875-16 UN | 1.893 (48.08) 1.883 (47.83) | 2.088 (53.04) 2.068 (52.53) |
| J | 33 | 2.000-.1P-.2L-D.S. | 2.062-16 UNS | 2.080 (52.83) 2.070 (52.58) | 2.275 (57.78) 2.255 (57.28) |