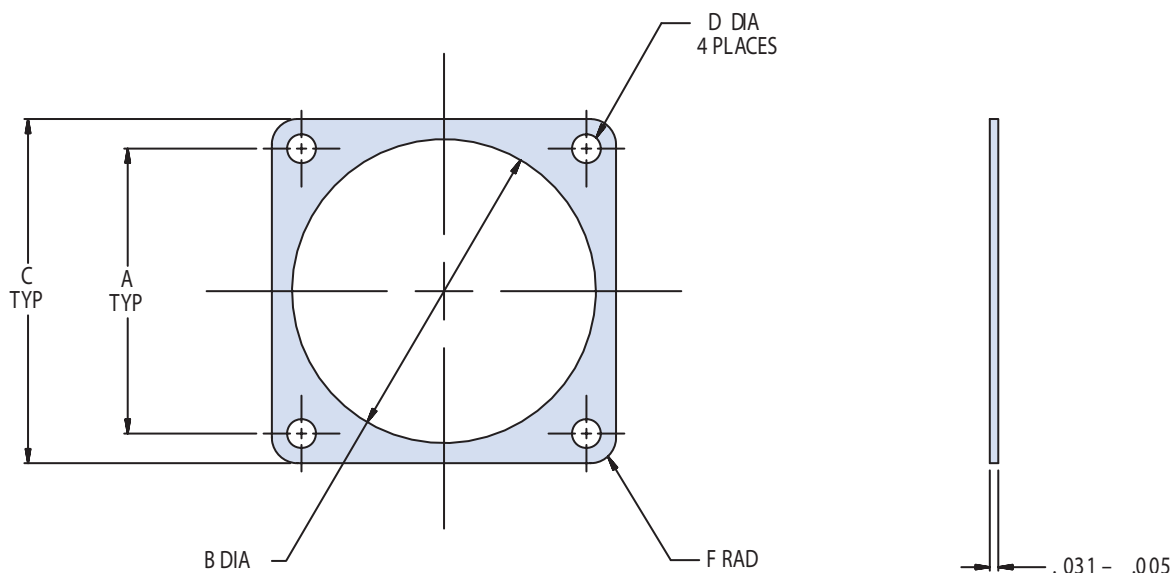
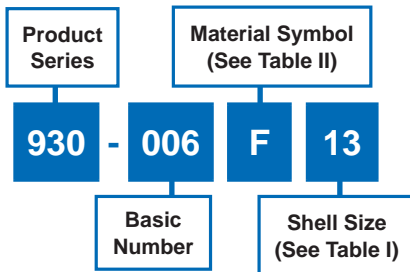


# 930-006 Wall Mount Receptacle Mounting Gasket for MIL-DTL-28840 Connectors



MIL-DTL  
28840



B

Symbol	Material Description
F	Fluorosilicone
M	Silver Plated Glass Filled Silicone
N	Neoprene

Shell Size	A ± .010	B Dia. +.016 -.000	C .016 -.000	D Dia. ± .010	F Radius ± .010
11	.750	.750	1.023	.120	.141
13	.843	.875	1.138		
15	.968	1.062	1.258		
17	1.015	1.125	1.383		
19	1.140	1.312	1.508		
23	1.281	1.500	1.718	.147	.188
25	1.392	1.625	1.818		
29	1.568	1.875	2.138		
33	1.734	2.062	2.328		