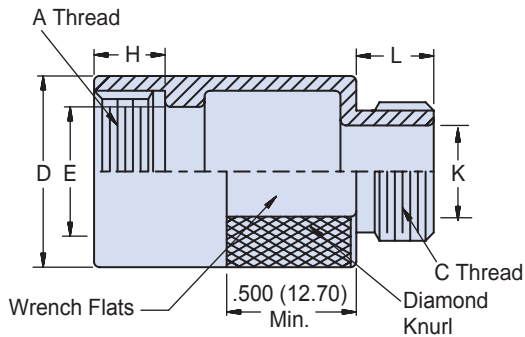
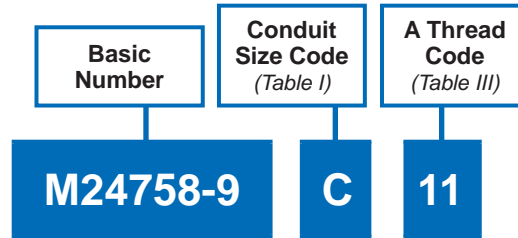
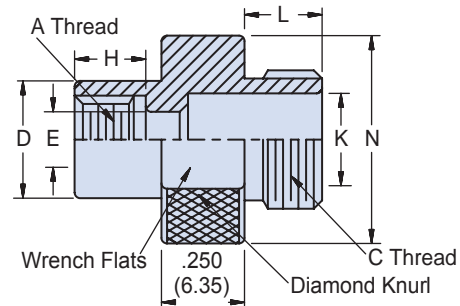


A



For Use When E Diameter is  
Greater Than K Diameter



For Use When E Diameter is  
Equal to or Less Than K Diameter

TABLE I

CONDUIT SIZE CODE	C CLASS - 2A THREAD	L +.030 (0.76) -.00 (0.00)	K DIA MIN	N DIA ± .020 (0.51)
A	.438-28 UNEF	.210 (5.33)	.245 (6.22)	.687 (17.45)
B	.688-24 UNEF	.250 (6.35)	.490 (12.57)	.937 (23.80)
C	.938-20 UNEF	.310 (7.87)	.745 (18.92)	1.187 (30.15)
D	1.250-18 UNEF	.370 (9.40)	.995 (25.27)	1.500 (38.10)
E	1.563-18 UNEF	.370 (9.40)	1.245 (31.62)	1.812 (46.02)
F	1.875-16 UN	.430 (10.92)	1.495 (37.97)	2.125 (53.98)
G	2.375-16 UN	.430 (10.92)	1.995 (50.67)	2.625 (66.68)
H	2.875-16 UN	.430 (10.92)	2.495 (63.37)	3.125 (79.8)
J	.563-24 UNEF	.250 (6.35)	.370 (9.40)	.812 (20.62)
K	.813-20 UNEF	.310 (7.87)	.620 (15.75)	1.062 (26.97)
L	3.375-16 UN	.430 (10.92)	2.995 (76.07)	3.625 (92.08)

## APPLICATION NOTES

- Assembly identified with manufacturer's code identification number (Glenair, part number and classification code 490).
- The function of the M24758-9 couples MIL-C-5015 connectors (MS3100, MS3101, MS3106 and MS-series end bells) to M24758-2, MS24758-3 or M24758-4 fittings.
- For MIL-DTL-5015, MS3400 series, the M24758-13 adapter shall be used.
- See Glenair Circular Connector Accessories Catalog for recommended torque values, Group 1.
- Material / Finish:  
Adapter - 316 / electroless nickel, matte finish
- Metric dimensions (mm) are indicated in parentheses.

# MIL-PRF-24758-9 Adapter for MS3100 Series MIL-DTL-5015 Connectors



MIL-PRF  
24758A

A

## MIL-DTL-5015 CONNECTOR MANUFACTURER SYMBOLS

Symbol	Manufacturer	Connector Series	Class
A	All	MS3100, 01, 06	A/E/F/R
H	Amphenol	MS3100, 01, 06; 97 Series, Blue Insert	A
J		MS3100, 01, 06	E/F/R
L	Amphenol/BCO	MS3100, 01, 06; 10-214, 10-720, 10-721, 10-726	A/E/F/R
M	Cannon	MS3100, 01, 06	A
N	Cannon	MS3100, 01, 063; CA 00, 01, 06	E/F/R

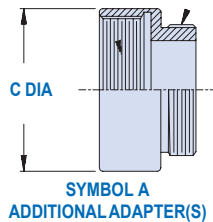
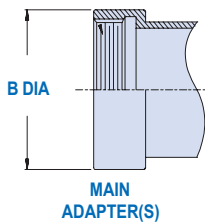
## A-THREAD CODE AND ADAPTER DIMENSIONS

A Thread Code	Connector Shell Size	Connector Code	A Class - 2B Thread	H ± .02		D Dia ± .02		E Dia ± .02	
				In.	mm.	In.	mm.	In.	mm.
1	8S	D	.375-32 UNEF	0.180	4.6	0.500	12.7	0.280	7.1
2	8S	B	.438-27 UNS	0.210	5.3	0.560	14.2	0.340	8.6
3	8	C,E,F	.438-28 UNEF	0.210	5.3	0.560	14.2	0.340	8.6
4	8S	A	.500-28 UNEF	0.210	5.3	0.620	15.7	0.370	9.4
4	10S	A,B,C,D,E	.500-28 UNEF	0.210	5.3	0.620	15.7	0.370	9.4
5	10S	E	.563-24 UNEF	0.250	6.4	0.680	17.3	0.450	11.4
5	10SL	E,F	.563-24 UNEF	0.250	6.4	0.680	17.3	0.450	11.4
6	10SL	A,B,C,D	.625-24 UNEF	0.250	6.4	0.750	19.1	0.500	12.7
6	12,12S	A,D,F	.625-24 UNEF	0.250	6.4	0.750	19.1	0.500	12.7
7	12,12S	B,C,E	.688-24 UNEF	0.250	6.4	0.810	20.6	0.570	14.5
8	12SL	A	.750-20 UNEF	0.280	7.1	0.870	22.1	0.620	15.7
8	14,14S	A,B,C,D,E,F	.750-20 UNEF	0.280	7.1	0.870	22.1	0.620	15.7
9	16,16S	A,B,C,D,E,F	.875-20 UNEF	0.280	7.1	1.000	25.4	0.750	19.1
10	18	A,B,C,D,E,F	1.000-20 UNEF	0.280	7.1	1.120	28.4	0.870	22.1
11	20	B,D,E,F	1.125-18 UNEF	0.280	7.1	1.250	31.8	1.000	25.4
12	20	C	1.125-24 UNS	0.280	7.1	1.250	31.8	1.000	25.4
13	20,22	A	1.188-18 UNEF	0.280	7.1	1.310	33.3	1.060	26.9
14	22	B,C,D,E,F	1.250-18 UNEF	0.280	7.1	1.370	34.8	1.120	28.4
15	24	B,C,D,E,F	1.375-18 UNEF	0.280	7.1	1.500	38.1	1.250	31.8
16	24,28	A	1.438-18 UNEF	0.280	7.1	1.560	39.6	1.310	33.3
17	28	B,C,D,E,F	1.625-18 UNEF	0.280	7.1	1.750	44.5	1.500	38.1
18	32	A	1.750-18 UNS	0.280	7.1	1.870	47.5	1.620	41.1
19	32	D,E,F	1.875-16 UN	0.280	7.1	2.000	50.8	1.750	44.5
20	32	B,C	1.906-18	0.280	7.1	2.030	51.6	1.780	45.2
21	36	A	2.000-18 UNS	0.280	7.1	2.120	53.8	1.870	47.5
22	36	D	2.063-16 UNS	0.310	7.9	2.180	55.4	1.930	49.0
23	36	C	2.063-20	0.280	7.1	2.180	55.4	1.930	49.0
24	36	E,F	2.125-16 UN	0.310	7.9	2.250	57.2	2.000	50.8
25	36	B	2.125-18	0.280	7.1	2.250	57.2	2.000	50.8
26	40	A	2.250-16 UN	0.310	7.9	2.370	60.2	2.120	53.8
27	40	D	2.313-16 UNS	0.310	7.9	2.430	61.7	2.180	55.4
28	40	B,E,F	2.375-16 UN	0.310	7.9	2.500	63.5	2.250	57.2
29	44	B,F	2.625-16 UN	0.310	7.9	2.750	69.9	2.500	63.5
30	48	F	2.813-18	0.280	7.1	2.930	74.4	2.680	68.1
31	48	B	2.875-16 UN	0.310	7.9	3.000	76.2	2.750	69.9

A THREAD  
CLASS 2B

A THREAD  
CLASS 2B

A THREAD  
CLASS 2A



1. If the specific manufacturer is not known, order symbol A and corresponding dash number, for MS universal fit.
2. Symbol A mates with all connectors for each shell size.
3. Additional transition adapters may be supplied with symbol A for each shell size, as noted.