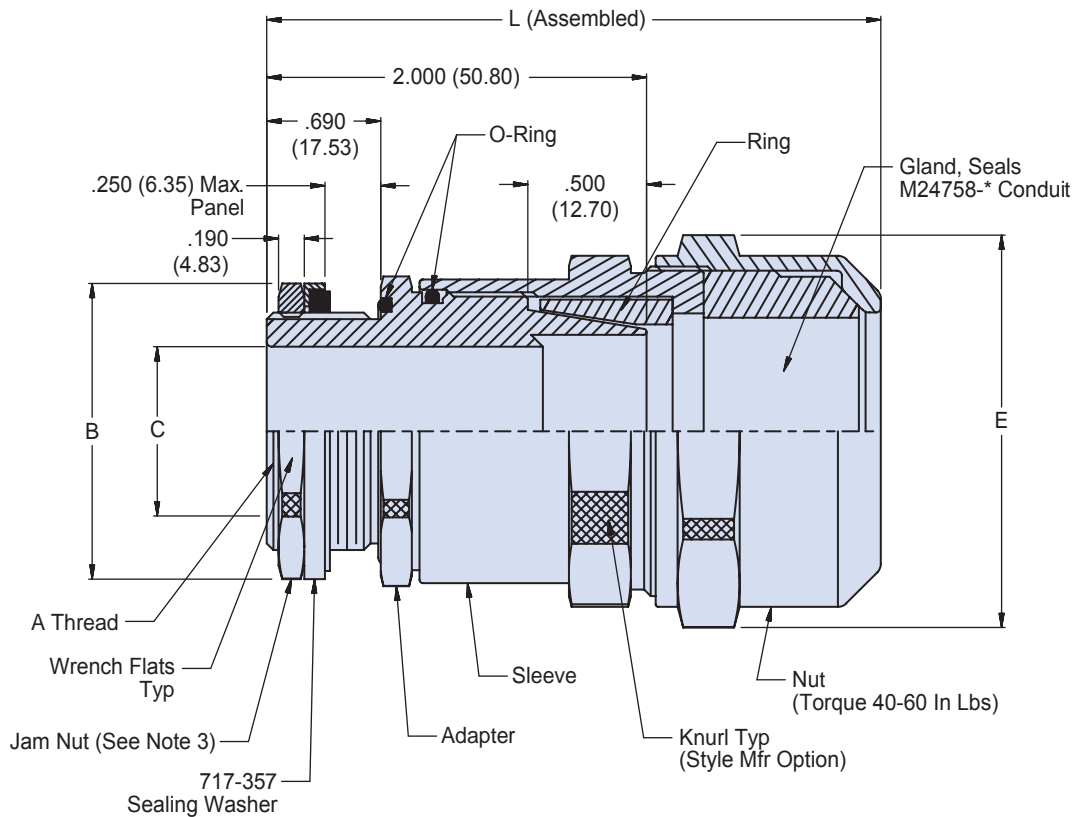


A

Basic
NumberConduit
Size Code
(Table I)

M24758-5

C



APPLICATION NOTES

1. Assembly identified with manufacturer's code identification number (Glenair, part number and classification code 490).
2. The function of the M24758-5 fitting is to terminate M24758-* flexible shielding conduit directly to a panel. Two jam nuts are supplied with this fitting. One nut secures the fitting to the panel and the second nut acts as a lock nut to the first.
3. Use Glenair 600-176 Jam Nut Wrench.
4. Material / Finish:
Adapter, nuts, sleeve & ring - 316 SST/Electroless nickel, matte finish.
O-Ring and gland - Silicone rubber / NA.
Sealing Washer - See individual drawing.
5. 4. Metric dimensions (mm) are indicated in parentheses.

MIL-PRF-24758-5 Straight Conduit to Panel Fitting



MIL-PRF
24758A

A

TABLE I

CONDUIT SIZE CODE	A CLASS - 2A THREAD	B DIA ±.06 (1.5)	C DIA MIN	E MAX DIA	L REF DIM
A	.625-24 UNEF	1.000 (25.40)	.245 (6.2)	1.140 (29.0)	3.400 (86.36)
B	.875-20 UNEF	1.250 (31.75)	.495 (12.6)	1.460 (37.1)	3.400 (86.36)
C	1.188-18 UNEF	1.562 (39.67)	.745 (18.9)	1.780 (45.2)	3.400 (86.36)
D	1.438-18 UNEF	1.812 (46.02)	.995 (25.3)	1.030 (26.2)	3.400 (86.36)
E	1.750-16 UN	2.125 (53.98)	1.245 (31.6)	2.280 (57.9)	3.400 (86.36)
F	2.000-16 UN	2.375 (60.33)	1.495 (38.0)	2.530 (64.3)	3.680 (93.47)
G	2.500-16 UN	2.875 (73.03)	1.995 (50.7)	3.140 (79.8)	3.680 (93.47)
H	3.000-16 UN	3.375 (85.73)	2.495 (63.4)	3.650 (92.7)	3.680 (93.47)
J	.750-20 UNEF	1.125 (28.58)	.370 (9.4)	1.340 (34.0)	3.400 (86.36)
K	1.000-20 UNEF	1.500 (38.10)	.620 (15.7)	1.650 (41.9)	3.400 (86.36)
L	3.500-16 UN	3.750 (95.3)	2.995 (76.1)	4.150 (105.4)	3.680 (93.47)

**TABLE II
RECOMMENDED TORQUE
(Inch Lbs.)**

CONDUIT SIZE CODE	SLEEVE	JAM NUT See Note 3
A	115 – 125	40 – 50
B	135 – 145	50 – 60
C	145 – 155	
D	165 – 175	80 – 90
E	165 – 175	
F	165 – 175	100 – 110
G	165 – 175	150 – 160
H	165 – 175	
J	115 – 125	50 – 60
K	135 – 145	
L	165 – 175	150 – 160

