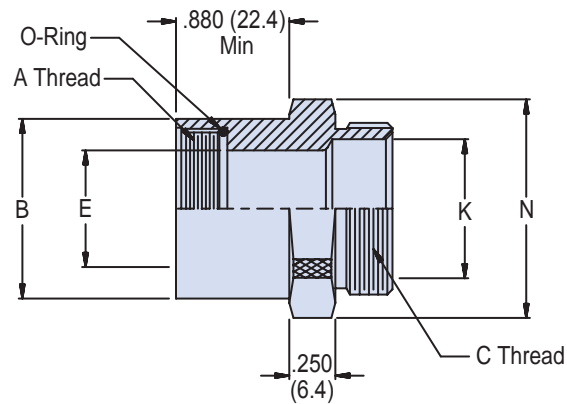
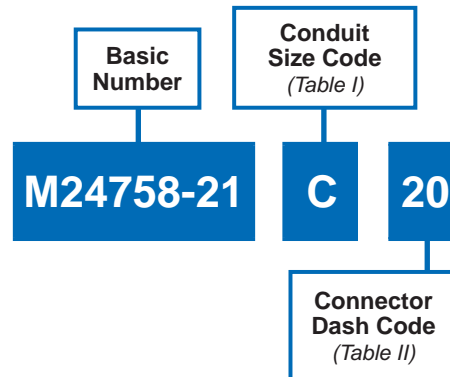


MIL-PRF-24758-21

Adapter for MIL-DTL-22992 Connectors

A



APPLICATION NOTES

- Assembly identified with manufacturer's code identification number (Glenair, part number and classification code 490).
- The M24758-21 adapter couples connectors listed in table I to M24758-2, M24758-3 or M24758-4 series fittings.
- This adapter shall conform to military standard MIL-DTL-22992 connector.
- The E diameter and M thread of this drawing are included for reference purposes.
- See Glenair Circular Connector Accessories catalog for recommended torque values.
- Material / Finish:
Adapter, coupling nut - 316 / electroless nickel, matte finish.
O-ring - silicone rubber.
- Metric dimensions (mm) are indicated in parentheses.

MIL-PRF-24758-21
Adapter for MIL-DTL-22992 Connectors



MIL-PRF
24758A

A

TABLE I

CONDUIT SIZE CODE	C CLASS - 2A THREAD	K DIA MIN
A	.438-28 UNEF	.245 (6.22)
B	.688-24 UNEF	.495 (12.57)
C	.938-20 UNEF	.745 (18.92)
D	1.250-18 UNEF	.995 (25.27)
E	1.563-18 UNEF	1.245 (31.62)
F	1.875-16 UN	1.495 (37.97)
G	2.375-16 UN	1.995 (50.67)
H	2.875-16 UN	2.495 (63.37)
J	.563-24 UNEF	.370 (9.40)
K	.813-20 UNEF	.620 (15.75)
L	3.375-16 UN	2.995 (76.07)

**TABLE II: CONNECTOR DASH NUMBERS
AND ADAPTER DIMENSIONS**

CONN DASH NO.	MIL-DTL-22992	A LEFT HAND CLASS - 2B THREAD	B DIA MAX	E DIA REF
12	12	.750-20 UNEF	.858 (21.79)	.600 (15.24)
14	14	.875-20 UNEF	.984 (24.99)	.720 (18.29)
16	16	1.000-20 UNEF	1.112 (28.45)	.840 (21.34)
18	18	1.125-18 UNEF	1.218 (30.94)	.940 (23.88)
20	20	1.250-18 UNEF	1.345 (34.16)	1.100 (27.94)
22	22	1.375-18 UNEF	1.468 (37.29)	1.200 (30.48)
24	24	1.625-18 UNEF	1.593 (40.46)	1.440 (36.58)
28	28	1.875-16 UN	1.969 (50.01)	1.690 (42.93)
32	32	2.062-16 UNS	2.219 (56.34)	1.880 (47.75)
36	36	2.312-16 UN	2.469 (62.71)	2.130 (54.10)
40	40	2.625-16 UN	2.719 (69.06)	2.440 (61.98)
44	44	2.875-16 UN	2.969 (75.41)	2.750 (68.85)
48	48	3.125-16 UN	3.219 (81.76)	2.880 (73.15)