

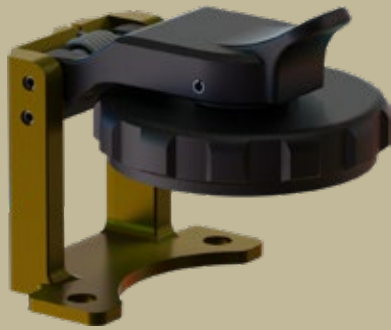
SPRING ACTION

# ProSeal™ environmental connector covers



for MIL-DTL-5015, MS 3100, and MS3400 connectors  
Threaded closure seal, full environmental

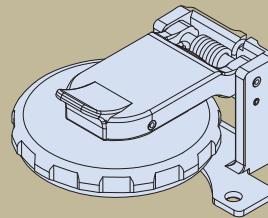
## 667-450 PROSEAL PROTECTIVE COVER FOR MIL-DTL-5015, MS3100, AND MS3400 CONNECTORS



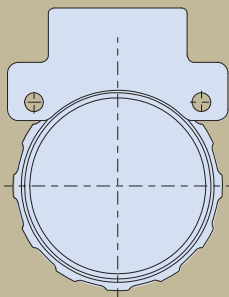
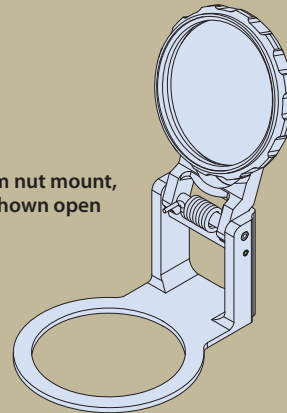
How to Order 667-450	
<b>Sample Part Number</b>	<b>667-450 NF 06 T1 W</b>
<b>Series</b>	ProSeal protective cover for MIL-DTL-5015, MS3100, and MS3400
<b>Finish</b>	<b>MT</b> = Nickel-PTFE <b>ZR</b> = Zinc-Nickel, Black (Tri-Valent CR) <b>M</b> = Electroless Nickel <b>NF</b> = Cad / OD over Electroless Nickel <b>C</b> = Anodize / Black <b>UC</b> = Zinc Cobalt / Black
<b>Shell Size</b>	<b>01, 02, 03, 04, 05, 06, 07, 08, 09, 10, 11, 12, 13, 14, 15, 16</b>
<b>Panel Thickness</b>	<b>T0</b> = .000" panel <b>T1</b> = .062" (1.57mm) panel <b>T2</b> = .125" (3.18mm) panel
<b>Type of Mounting</b>	<b>J</b> = Jam Nut Mount Receptacle <b>W</b> = Wall Mount Receptacle

- Threaded closure
- Full environmental protection
- Self-aligning
- Positive spring-action in closed position. Locks open at approximately 105° from receptacle face.

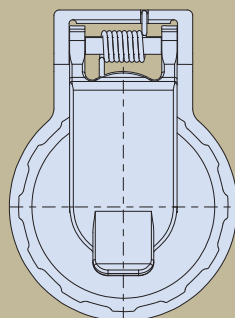
Wall mount, shown closed



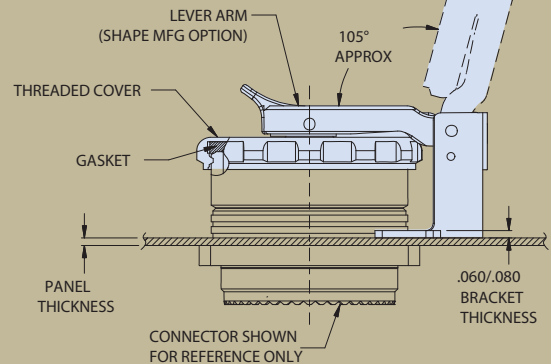
Jam nut mount, shown open



WALL MOUNT



JAM NUT



### MATERIAL / FINISH

Cover, Lever Arm, Gimbal - Thermoplastic / Black  
Bracket - Aluminum  
Spring / Pin / Rivet - 300 Series SST / Passivate  
Sleeve - Delrin  
Gasket - Silicone (optional)

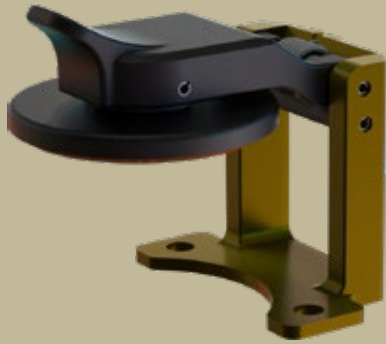
WIRE PROTECTION

SPRING ACTION

# ProSeal™ environmental connector covers

for MIL-DTL-5015, MS 3100, and MS3400 connectors  
 Pressure seal, dust and immersion resistant

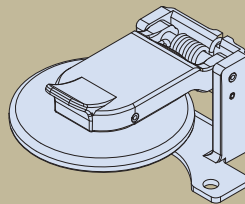
## 667-451 PROSEAL PROTECTIVE COVER FOR MIL-DTL-5015, MS3100, AND MS3400 CONNECTORS



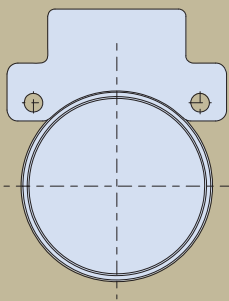
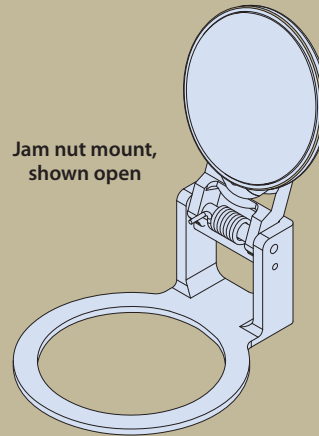
How to Order 667-451	
<b>Sample Part Number</b>	<b>667-451 NF 06 T1 W</b>
<b>Series</b>	ProSeal protective cover for MIL-DTL-5015, MS3100, and MS3400
<b>Finish</b>	<b>MT</b> = Nickel-PTFE <b>ZR</b> = Zinc-Nickel, Black (Tri-Valent CR) <b>M</b> = Electroless Nickel <b>NF</b> = Cad / OD over Electroless Nickel <b>C</b> = Anodize / Black <b>UC</b> = Zinc Cobalt / Black
<b>Shell Size</b>	<b>01, 02, 03, 04, 05, 06, 07, 08, 09, 10, 11, 12, 13, 14, 15, 16</b>
<b>Panel Thickness</b>	<b>T0</b> = .000" panel <b>T1</b> = .062" (1.57mm) panel <b>T2</b> = .125" (3.18mm) panel
<b>Type of Mounting</b>	<b>J</b> = Jam Nut Mount Receptacle <b>W</b> = Wall Mount Receptacle

- Pressure seal, dust and immersion resistant
- Self-aligning
- Positive spring-action in closed position. Locks open at approximately 105° from receptacle face.

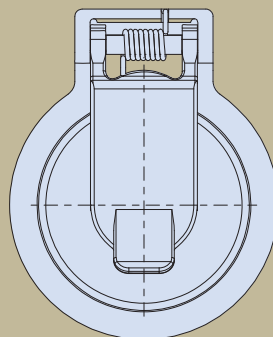
Wall mount, shown closed



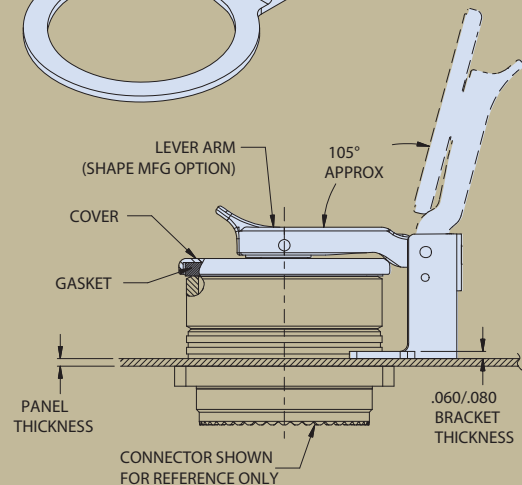
Jam nut mount, shown open



WALL MOUNT



JAM NUT



### MATERIAL / FINISH

- Cover, Lever Arm, Gimbal - Thermoplastic / Black
- Bracket - Aluminum
- Spring / Pin / Rivet - SST / Passivate
- Sleeve - Delrin
- Gasket - Silicone (optional)

WIRE PROTECTION

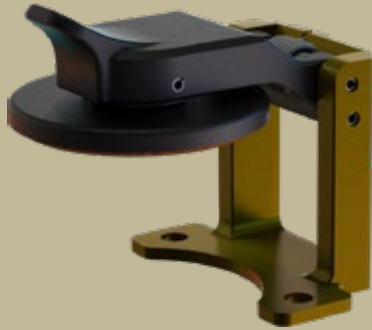
SPRING ACTION

# ProSeal™ environmental connector covers

for MIL-DTL-26482 Series I and II connectors  
Pressure seal, dust and immersion resistant

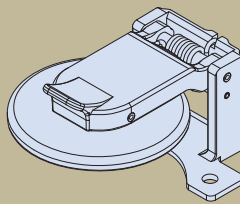


## 667-472 PROSEAL PROTECTIVE COVER FOR MIL-DTL-26482 SERIES I AND II CONNECTORS

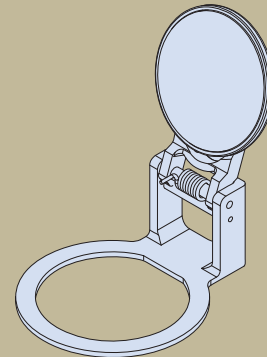


How to Order 667-472	
<b>Sample Part Number</b>	667-472 NF 16 T1 W
<b>Series</b>	ProSeal protective cover for MIL-DTL-26482 Series I and II connectors
<b>Finish</b>	<b>MT</b> = Nickel-PTFE <b>ZR</b> = Zinc-Nickel, Black (Tri-Valent CR) <b>M</b> = Electroless Nickel <b>NF</b> = Cad / OD over Electroless Nickel <b>C</b> = Anodize / Black <b>UC</b> = Zinc Cobalt / Black
<b>Shell Size</b>	<b>08, 10, 12, 14, 16, 18, 20, 22, 24</b>
<b>Panel Thickness</b>	<b>T0</b> = .000" panel <b>T1</b> = .031" (.78mm) or 062" (1.57mm) panel <b>T2</b> = .125" (3.18mm) panel (see sales drawing for details)
<b>Type of Mounting</b>	<b>J</b> = Jam Nut Mount Receptacle <b>W</b> = Wall Mount Receptacle

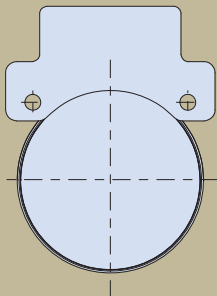
- Pressure seal, dust and immersion resistant
- Self-aligning
- Positive spring-action in closed position. Locks open at approximately 105° from receptacle face.



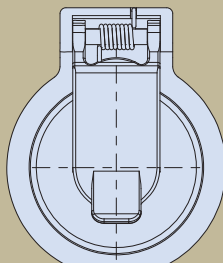
Wall mount, shown closed



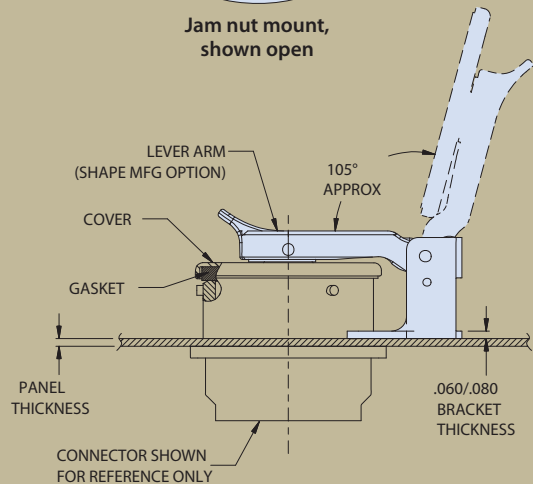
Jam nut mount, shown open



WALL MOUNT



JAM NUT



### MATERIAL / FINISH

Cover, Lever Arm, Gimbal - Thermoplastic / Black  
 Bracket - see Table II  
 Spring / Pin / Rivet - 300 Series SST / Passivate  
 Sleeve - Delrin  
 Gasket - Silicone (optional)

WIRE PROTECTION