

Piggyback shrink boot feed-thru

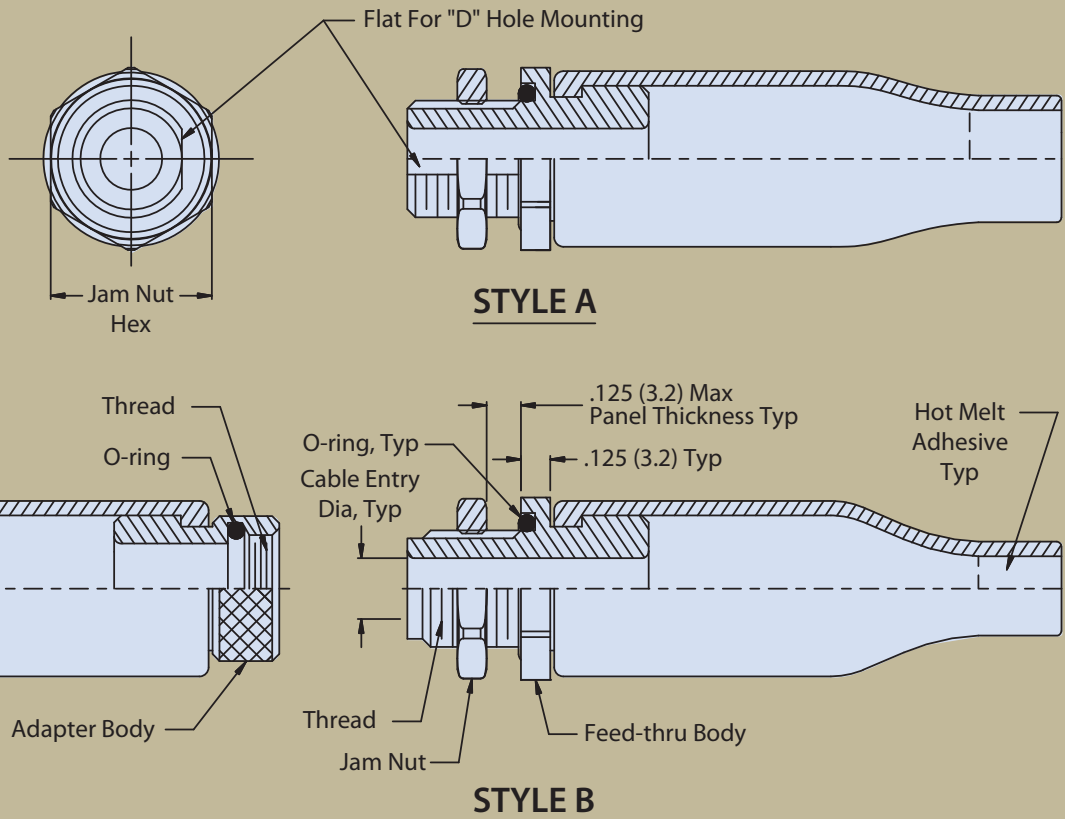
Backshells with integrated partially-recovered heat shrink boots for fast, repeatable, reliable installation



630-101 METAL PIGGYBACK BOOT FEED-THRU



How to Order	
Sample Part Number	630-101 NF 10 A -2 D
Product Series	630-101 = Metal Feed-Thru
Finish Symbol	M = Electroless nickel MT = Nickel-PTFE NF = Cad/O.D. over electroless nickel (500 hour salt spray) ZR = Zinc-nickel, black over electroless nickel
Dash Number	07, 08, 09, 10, 11, 13, 15, 17, 19, 21, 23, 25, 27, 30, 32, 34, 36 (see sales drawing for details)
Style	A = Feed-thru and shrink boot (one side) B = Feed-thru with shrink boots on both sides
Boot Material Type	-1 = Type 1 high-performance semi-rigid elastomer -2 = Type 2 zero-hal semi-rigid polyolefin -3 = Type 3 general-purpose flexible polyolefin
Mounting Hole Type	D = 'D' type mounting hole, available for style A only Omit for none



MATERIAL/FINISH

- Feed-thru bodies, adapter and jam nut: aluminum alloy
- O-ring: Silicone/N.A.
- Shrink Boot: Elastomeric/N.A.

Piggyback shrink boot feed-thru

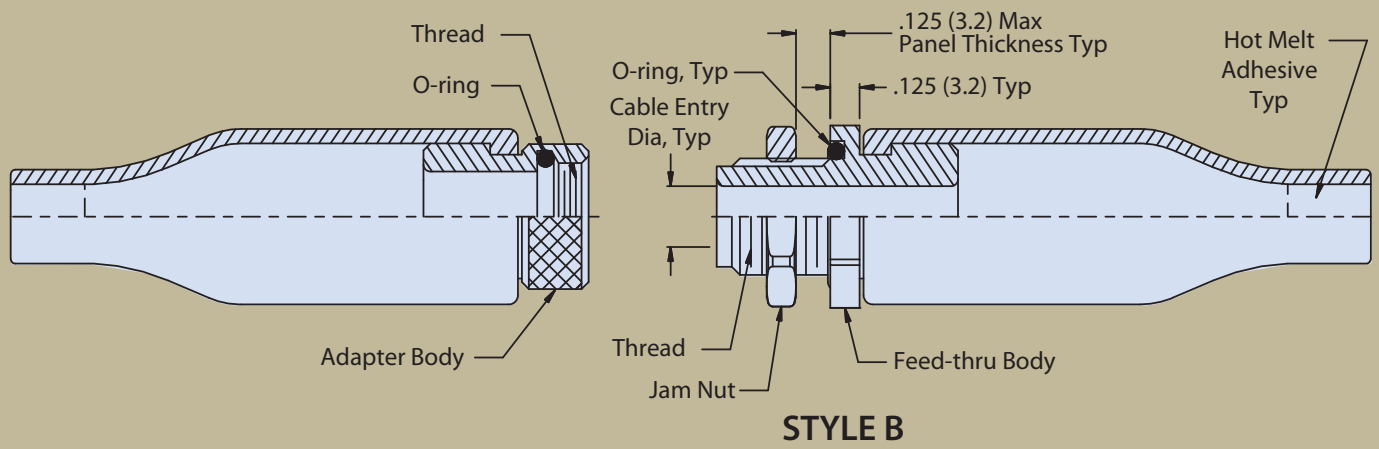
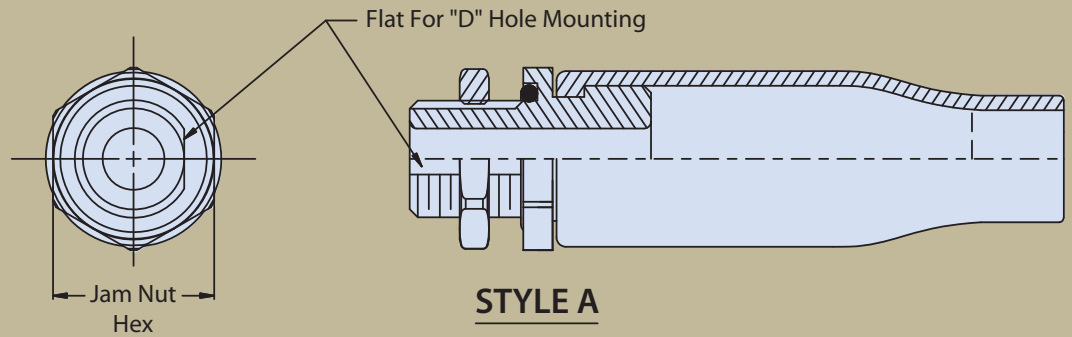


Backshells with integrated partially-recovered heat shrink boots for fast, repeatable, reliable installation

630-103 COMPOSITE PIGGYBACK BOOT FEED-THRU



How to Order						
Sample Part Number	630-103	XM	07	A	-2	D
Product Series	630-103 = Composite Feed-Thru					
Finish Symbol	XM = Electroless nickel XW = Cad/O.D. over electroless nickel XZR = Zinc-nickel, black over electroless nickel XMT = Nickel-PTFE					
Dash Number	07, 08, 09, 10, 11, 13, 15, 17, 19, 21, 23, 25, 27, 30, 32, 34, 36 (see sales drawing for details)					
Style	A = Feed-thru and shrink boot (one side) B = Feed-thru with shrink boots on both sides					
Boot Material Type	-1 = Type 1 high-performance semi-rigid elastomer -2 = Type 2 zero-hal semi-rigid polyolefin -3 = Type 3 general-purpose flexible polyolefin					
Mounting Hole Type	D = 'D' type mounting hole, available for style A only Omit for none					



MATERIAL/FINISH

- Feed-thru bodies, adapter and jam nut: high-grade engineering thermoplastic
- O-ring: Silicone/N.A.
- Shrink Boot: Elastomeric/N.A.

Piggyback shrink boot adapters

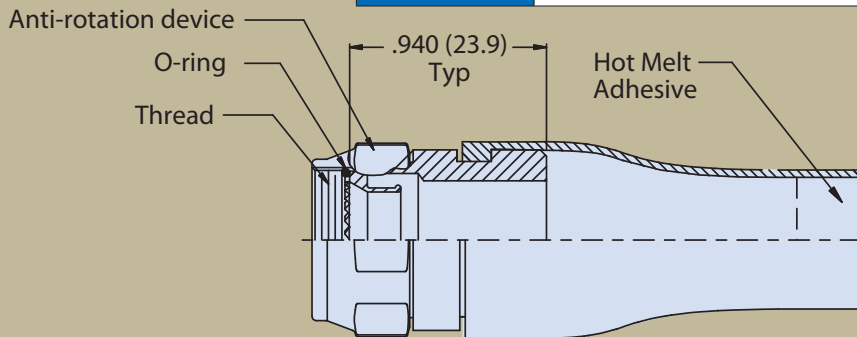
Backshells with integrated partially-recovered heat shrink boots for fast, repeatable, reliable installation



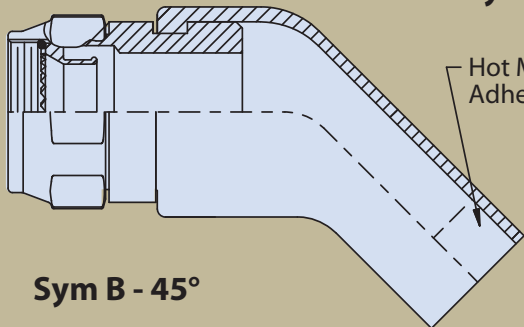
310-057 COMPOSITE PIGGYBACK BOOT ADAPTER FOR MIL-DTL-5015, MIL-DTL-26482, OR MIL-DTL-28840 CONNECTORS



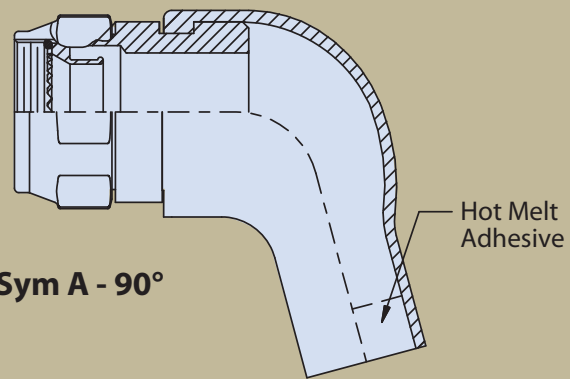
How to Order	
Sample Part Number	310 A S 057 BM 16 -2 K
Product Series	310 = Environmental piggyback boot
Connector Designator	A = MIL-DTL-5015 or MIL-DTL-26482 connectors G = MIL-DTL-28840 connector
Angle	S = Straight A = 90° B = 45°
Basic Number	057
Finish Symbol	BM = Electroless nickel BMT = Nickel-PTFE BNS = Elective plating, nickel and cad O.D. see detail B
Shell Size	08, 10, 12, 14, 16, 18, 20, 22, 24, 28 (5015 / 26482 connectors) 11, 13, 15, 17, 19, 23, 25 (28840 connectors) (see sales drawing for details)
Boot Material	-1 = Type 1 high-performance semi-rigid elastomer -2 = Type 2 zero-hal semi-rigid polyolefin -3 = Type 3 general-purpose flexible polyolefin
Pre-Coiled Band	K = Pre-coiled band Omit for none



Sym S - Straight



Sym B - 45°



Sym A - 90°

MATERIAL/FINISH

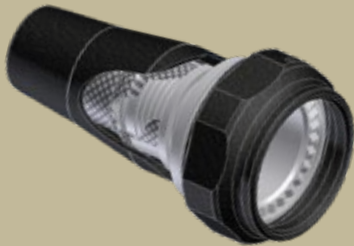
- Coupling nut and adapter: high-grade engineering thermoplastic, black
- Drop-in adapter: brass/electroless nickel
- Anti-decoupling device: high-grade engineering thermoplastic
- O-ring: silicone/none
- Band: SST/passivated

Piggyback shrink boot adapters

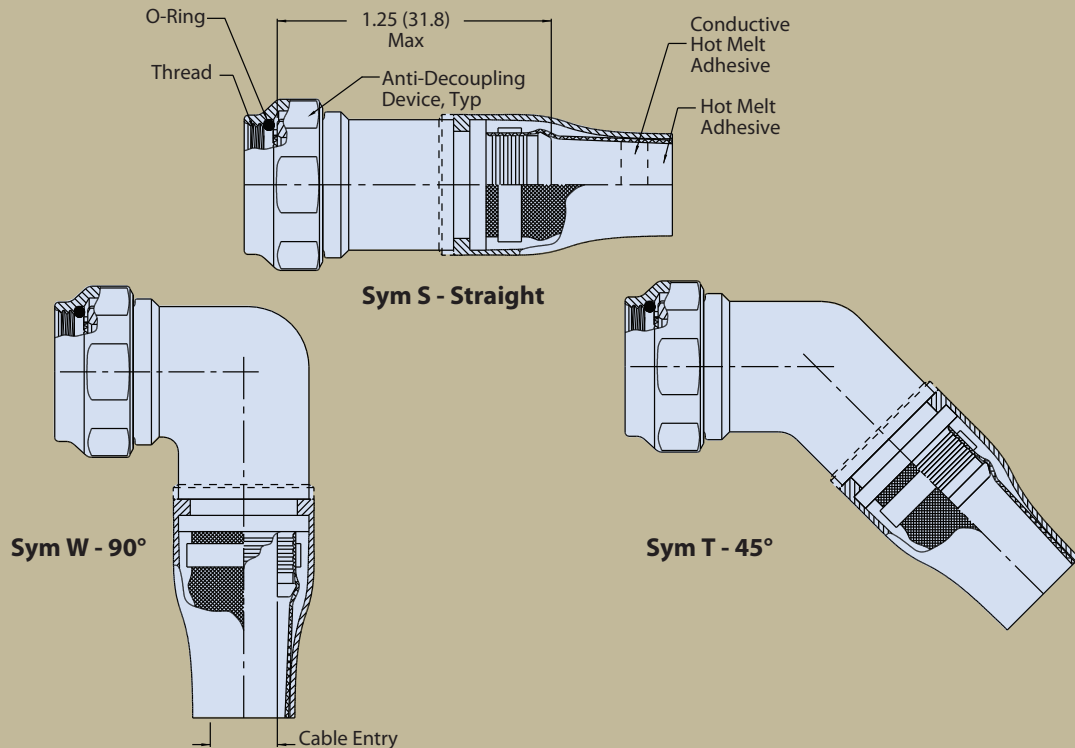


Backshells with integrated partially-recovered heat shrink boots for fast, repeatable, reliable installation

319-183 COMPOSITE PIGGYBACK BOOT ADAPTER WITH INTEGRATED SHIELD SOCK FOR MIL-DTL-5015, MIL-DTL-26482, OR MIL-DTL-28840 CONNECTORS



How to Order								
Sample Part Number	319	A	S	183	XM	19	B	2
Product Series	319 = Environmental piggyback boot							
Connector Designator	A = MIL-DTL-5015 or MIL-DTL-26482 connectors G = MIL-DTL-28840 connector							
Angle	S = Straight W = 90° T = 45°							
Basic Number	183							
Finish Symbol	XM = 2000 hr. corrosion-resistant electroless nickel XMT = 2000 hr. corrosion-resistant nickel-PTFE XW = 2000 hr. corrosion-resistant cad/OD over electroless nickel							
Shell Size	08, 10, 12, 14, 16, 18, 20, 22, 24, 28 (5015 / 26482 connectors) 11, 13, 15, 17, 19, 23, 25 (28840 connectors) (see sales drawing for details)							
Braid Option	A = 100% AmberStrand® B = 75%/25% AmberStrand® Blend - = Nickel/Copper 34 AWG T = Tin/Copper 34 AWG L = Armorlite™							
Boot Material	-1 = Type 1 high-performance semi-rigid elastomer -2 = Type 2 zero-hal semi-rigid polyolefin -3 = Type 3 general-purpose flexible polyolefin							



MATERIAL/FINISH

- Elbow, adapter, coupling nut, anti-decoupling device : high-grade engineering thermoplastic
- Drop-in adapter: brass/electroless nickel • O-ring: silicone/none • Band: SST/passivated

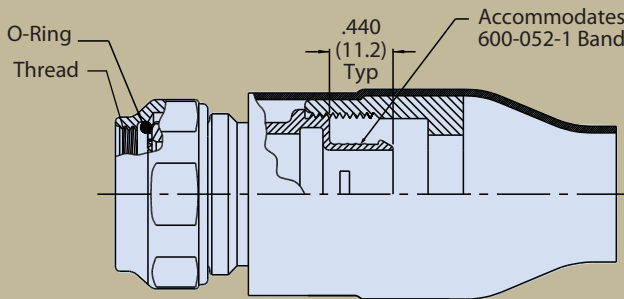
Piggyback shrink boot adapters

Backshells with integrated partially-recovered heat shrink boots for fast, repeatable, reliable installation

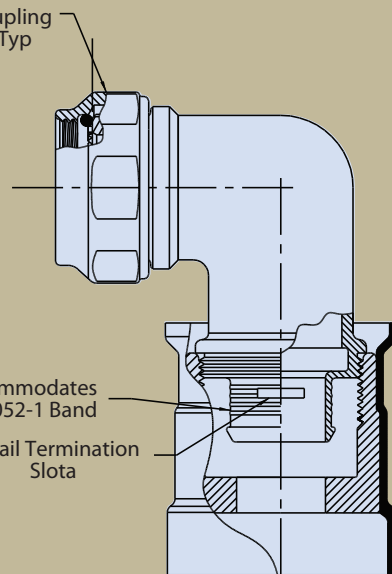
443-033 COMPOSITE PIGGYBACK BOOT ADAPTER FOR MIL-DTL-5015, MIL-DTL-26482, OR MIL-DTL-28840 CONNECTORS



How to Order	
Sample Part Number	443 A S 033 XM 19 20 K S -2
Product Series	443 = Environmental piggyback boot
Connector Designator	A = MIL-DTL-5015; MIL-DTL-26482 Sr. II G = MIL-DTL-28840
Angular Function	S = Straight W = 90°
Basic Number	033
Finish Symbol	XM = 2000 hr. corrosion-resistant electroless nickel XMT = 2000 hr. corrosion-resistant nickel-PTFE XW = 2000 hr. corrosion-resistant cad/OD over electroless nickel
Shell Size	08, 10, 12, 14, 16, 18, 20, 22, 24, 28 (5015 / 26482 connectors) 11, 13, 15, 17, 19, 23, 25 (28840 connectors) (see sales drawing for details)
Entry Code	10, 12, 14, 16, 18, 20, 22, 24, 28, 32
Band Option	K = Pre-coiled band Omit for none
Slot Option	S = Pigtail slot Omit for none
Boot Material Type	-1 = Type 1 high-performance semi-rigid elastomer -2 = Type 2 zero-hal semi-rigid polyolefin -3 = Type 3 general-purpose flexible polyolefin



Sym S - Straight



Sym W - 90° Elbow

MATERIAL/FINISH

- Elbow, adapter, coupling nut, body clamp, support ring, anti-decoupling device: high-grade engineering thermoplastic
- Hardware: CRES/passivated
- Drop-in adapter: brass/electroless nickel
- O-ring: silicone/none
- Band: SST/passivated