

S9407-AB-HBK-010

Conduit Systems for Shipboard Electromagnetic Shielding

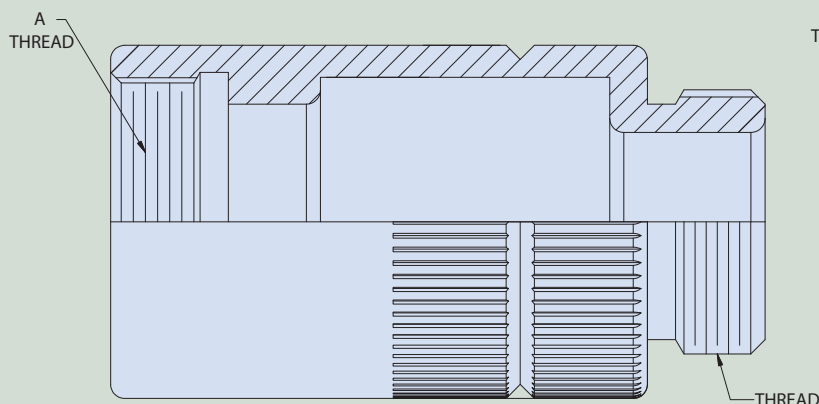
RP2311 Adapter to MIL-DTL-5015 connector



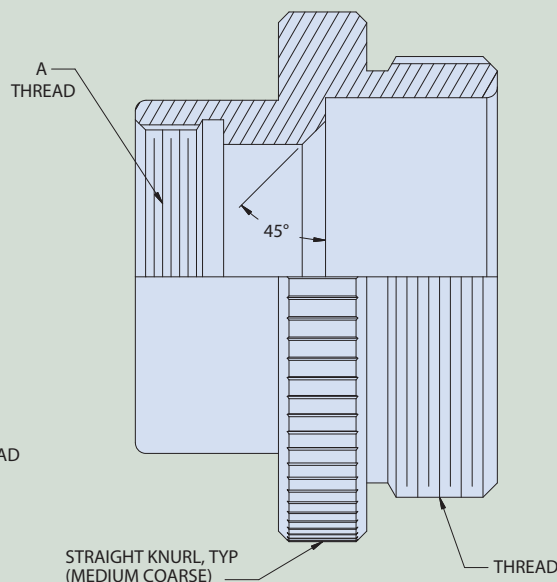
ADAPTER TO M5015 CONNECTOR IAW S9407-AB-HBK-010 REV 2, RP2311



How To Order					
Sample Part Number	RP2311	-08	-08	-01	SM
Basic Part Number	Conduit adapter				
A Thread Code	01 – 31, see sales drawing for details				
Conduit Size Code	02, 03, 04, 05, 06, 08, 10, 12, 16, 20, 24				
Style Code	-01, 02, 03, see sales drawing for details				
Material / Finish	SN = mild steel with cadmium over electroless nickel finish SM = mild steel with electroless nickel finish IAW AMS 2404C (SM supersedes "no suffix" code reserved for legacy parts)				



STYLE 01 & 02



STYLE 03

RP2000

MATERIAL / FINISH

Body, Ferrule, Nut - Mild Steel AISI Type B1113 IAW Fed-STD-66