

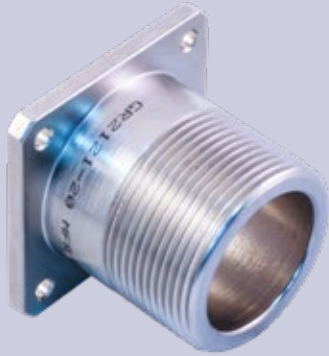
S9407-AB-HBK-010

Conduit Systems for Shipboard Electromagnetic Shielding

GR2121 Enclosure Fitting

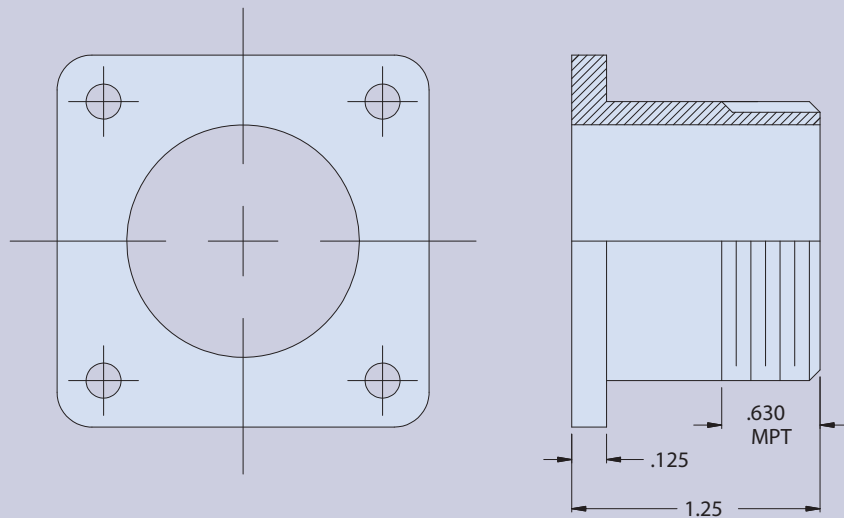


ENCLOSURE FITTING FOR MIL-DTL-5015 CONNECTORS IAW S9407-AB-HBK-010 REV 2, GR2121



How To Order			
Sample Part Number	GR2121	-28	SN
Basic Part Number	Enclosure Fitting for M5015 connectors		
Connector Shell Size	8S, 10S, 10SL, 12S, 14S, 16S, 18, 20, 22, 24, 28, 32, 36, 40, 44, 48. See sales drawing for full dimensional details..		
Material / Finish	SN = mild steel with cadmium over electroless nickel finish SM = mild steel with electroless nickel finish IAW AMS 2404C (Finish symbol "no suffix" is for legacy parts, superseded by "SM")		

GR2000



MATERIAL / FINISH

Mild Steel AISI Type B1113 IAW Fed-STD-66