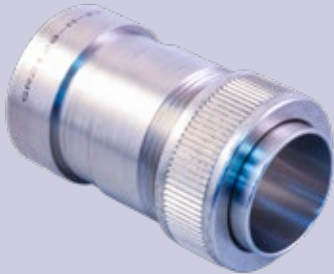


Conduit Systems for Shipboard Electromagnetic Shielding



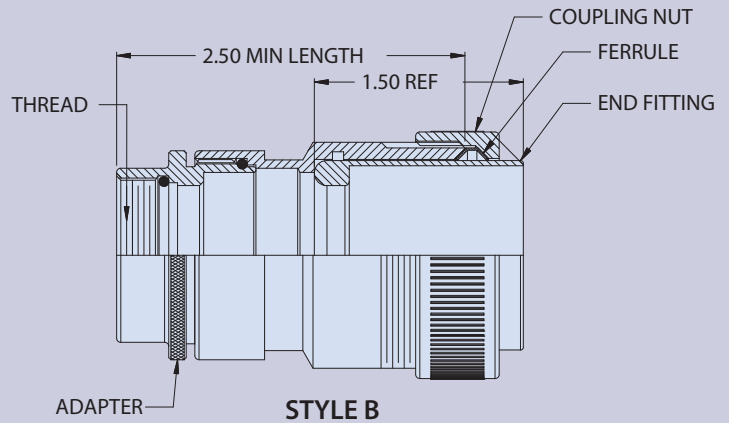
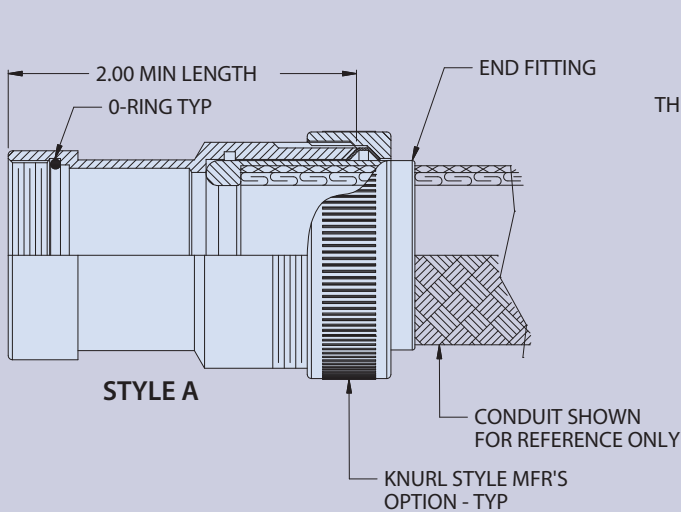
GR2120 Transition Fitting

GR2000



TRANSITION FITTING FOR MIL-DTL-5015 CONNECTORS IAW S9407-AB-HBK-010 REV 2, GR2120

How To Order						
Sample Part Number	GR2120	-M	-12	-EM08	-2.5	SN
Basic Part Number	Conduit Fitting for M5015 connectors					
Connector Symbol	Symbol	Mfr.	Class	Description		
	H	Amphenol	A	MS3100, MS3101, MS3106, 97-3100, 97-3101, 97-3106		
	J	Amphenol	E, R	MS3100, MS3101, MS3106, 69-3100, 69-3101, 69-3106		
	L	Bendix	A, E, R	MS3100, MS3101, MS3106, 10-214, 10-720, 10-726		
	M	Cannon	A	MS3100, MS3101, MS3106		
N	Cannon	E, R	MS3100, MS3101, MS3106, (CA01, CA06)			
Connector Shell Size	8S, 8, 10S, 10SL, 12S, 14S, 16S, 12, 14, 16, 18, 20, 22, 24, 28, 32, 36, 40, 44, 48. See sales drawing for specifics					
Conduit Part No.	EM02, EM03, EM04, EM05, EM06, EM08, EM10, EM12, EM16, EM20, EM24. See sales drawing for full dimensional details..					
Body / Adapter Length	In inches. Std. min. length = 2" (one-piece/style A); 2.5" (two-piece/style B)					
Material / Finish	SN = mild steel with cadmium over electroless nickel finish Omit = mild steel with electroless nickel finish IAW AMS 2404C					



When conduit OD exceeds ID of connector shell, Style B construction will be supplied.

MATERIAL / FINISH

Adaper, Body, Ferrule, Nut - Mild Steel AISI Type B1113 IAW Fed-STD-66
End Fitting - 300 Series SST / Passivated
O-Ring - Nitrile/Buna-N