

## IT 3057-XXC Waterproof Cable Clamp for Jacketed Cable or Wires Protected by Tubing

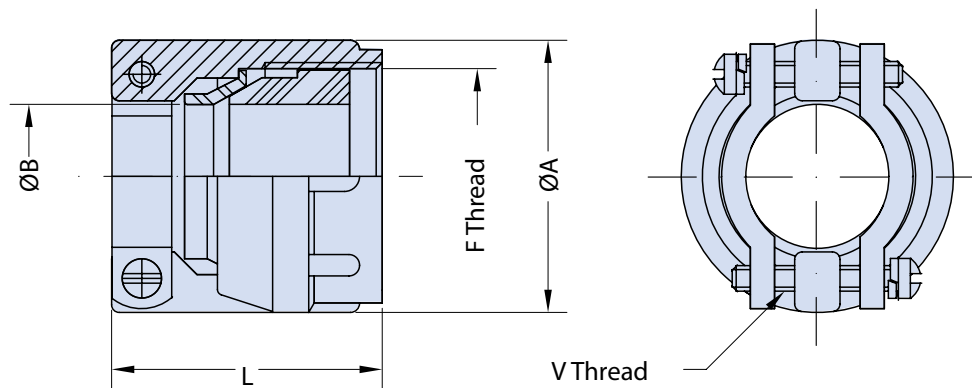
Basic Part Number and Shell  
Size Designator (Table I)

Finish Options  
(Table II)

**IT**

**3057-20C**

**XX**



### Application Notes

1. Waterproof cable clamp suitable for jacketed cable or wires protected by tubing. Assures watertight integrity of connector.
2. Standard materials configuration consists of aluminum alloy. For platings, see TABLE II finish options.

**IT 3057-XXC**  
**Waterproof Cable Clamp**  
for Jacketed Cable or Wires Protected by Tubing



**TABLE I: CABLE CLAMP PART NUMBERS, SHELL SIZE, SLEEVING, DIMENSIONS & THREAD**

Part Number	Shell Size	Sleeve to Use	ØA	ØB		F Thread	L	V Thread
				min.	Max.			
<b>IT 3057-4C</b>	<b>10 SL</b>	IT 3420 - 4A	22.6	2.38	7.93	0.6250 - 24UNEF	32.3	6 - 32NC
<b>IT 3057-6C</b>	<b>14 S</b>	IT 3420 - 4A / 6A	25.8	5.84	11.12	0.7500 - 20UNEF	32.3	6 - 32NC
<b>IT 3057-8C</b>	<b>16 S - 16</b>	IT 3420 - 6A / 8A	28.1	8.00	13.48	0.8750 - 20UNEF	32.3	6 - 32NC
<b>IT 3057-10C</b>	<b>18</b>	IT 3420 - 6A / 10A	31.0	9.60	15.87	1.0000 - 20UNEF	35.3	6 - 32NC
<b>IT 3057-12C</b>	<b>20 - 22</b>	IT 3420 - 8A / 12A	37.3	11.30	19.00	1.1875 - 18UNEF	35.7	8 - 32NC
<b>IT 3057-16C</b>	<b>24 - 28</b>	IT 3420 - 8A / 12A / 16A	42.0	15.50	23.80	1.4375 - 18UNEF	38.5	8 - 32NC
<b>IT 3057-20C</b>	<b>32</b>	IT 3420 - 12A / 16A / 20A	54.0	23.40	31.75	1.7500 - 18UNS	44.8	250 - 20NC
<b>IT 3057-24C</b>	<b>36</b>	IT 3420 - 16A / 18A / 24A	57.1	23.40	35.00	2.0000 - 18UNS	51.6	250 - 20NC
<b>IT 3057-28C</b>	<b>40</b>	IT 3420 - 16A / 20A / 28A	63.5	29.90	41.25	2.2500 - 16UN	51.6	250 - 20NC

**TABLE II**

STANDARD MATERIAL AND FINISH (*)		
Sym	Description	RoHS
	Omit for Aluminum/ Cadmium Olive Drab	
F6	Aluminum/ Black Electrodeposited Paint	✓
F7	Aluminum/ Black Zinc Nickel	✓
F11	Aluminum/ Electroless Nickel	✓
MB	Marine Bronze/ Unplated	✓
FK	Stainless Steel/ Passivate	✓

(\*) For further options, please contact the factory.