



ITS 4108 RGP and ITS 4108 RRGP
90° Cylindrical Plug Connector
 with Rubber-Coated Cable Sealing Backshell
 for Use with 03 and 030 Receptacles

Reverse
Bayonet Coupling

Contact Type
41 - Crimp Contacts

Connector/Backshell Class
RGP - Non-Environmental; Supplied
with Backshell Only
RRGP - Environmental; Supplied with
Wire Sealing Grommet

Alternate Insert Rotation
(W, X, Y, Z)
Omit for Normal
(See Section A)

FR**ITS****G****41****08****RGP****20-27****P****Y****XX**

Fire Resistant
Rubber
Compound

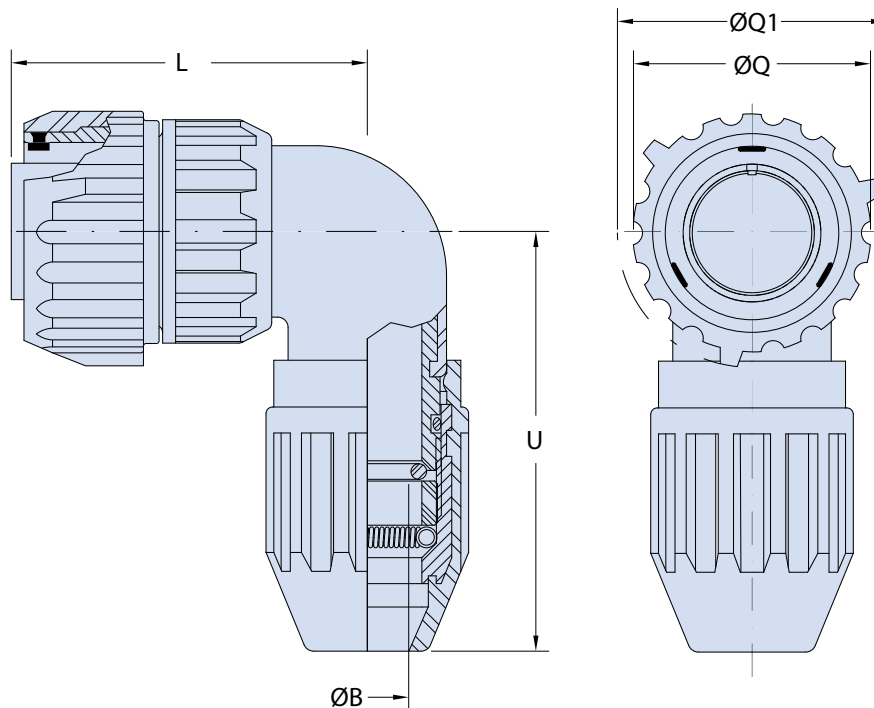
Grounding Fingers
(Omit for Standard)

08 - 90° Plug
Assembly

Shell Size and Insert
Arrangement
(See Section A)

Contact Gender
P - Pin
S - Socket

Mod Code
Option
(See Table II)



Application Notes

1. 90° cylindrical plug connector with rubber-coated cable sealing backshell with spring style strain relief for use with jacketed cables. Designed for use with 03 and 030 receptacles.
2. RGP - Non-Environmental; grommet not supplied.
RRGP - Environmental; supplied with wire sealing grommet.
3. Standard materials configuration consists of aluminum alloy with plating RoHS compliant.
4. Standard contact material consists of copper alloy with silver plating or gold plating.

**ITS 4108 RGP and ITS 4108 RRG
90° Cylindrical Plug Connector
with Rubber-Coated Cable Sealing Backshell
for Use with 03 and 030 Receptacles**

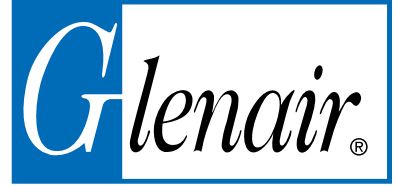


TABLE I: DIMENSIONS

| Shell Size | ØB | | L Max. | ØQ ±0.5 | ØQ1 ±0.5 | U Max. |
|------------|-------|-------|-----------|------------|-------------|-----------|
| | Min. | Max. | | | | |
| 18 | 12.70 | 15.90 | 74 | 43.5 | 49.0 | 70 |
| 20 | 15.90 | 19.00 | 77 | 46.5 | 52.0 | 74 |
| 22 | 15.90 | 19.00 | 77 | 50.5 | 56.0 | 74 |
| 24 | 19.00 | 22.20 | 78 | 54.0 | 60.0 | 84 |
| 28 | 22.20 | 25.40 | 79 | 61.0 | 67.0 | 84 |
| 32 | 28.50 | 31.75 | 87 | 68.0 | 76.0 | 88 |
| 36 | 31.75 | 34.90 | 91 | 74.0 | 82.0 | 95 |
| 40 | 38.00 | 41.27 | 95 | 80.0 | 88.0 | 100 |

C

TABLE II: MODIFICATION CODES

| CONTACT OPTIONS | |
|--|-------------------------------------|
| Sym | Description |
| B0 | Connector without Contacts* |
| B1 | Connector with Gold Plated Contacts |
| Omit for standard version (Silver plated) | |

(*) Crimp Contacts Only