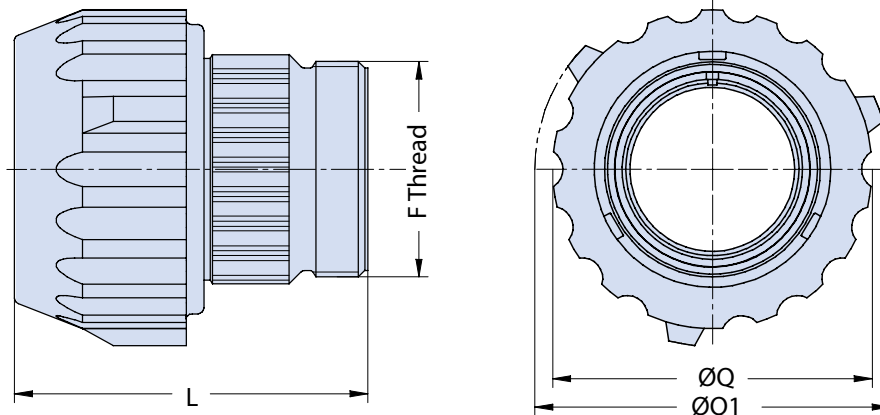
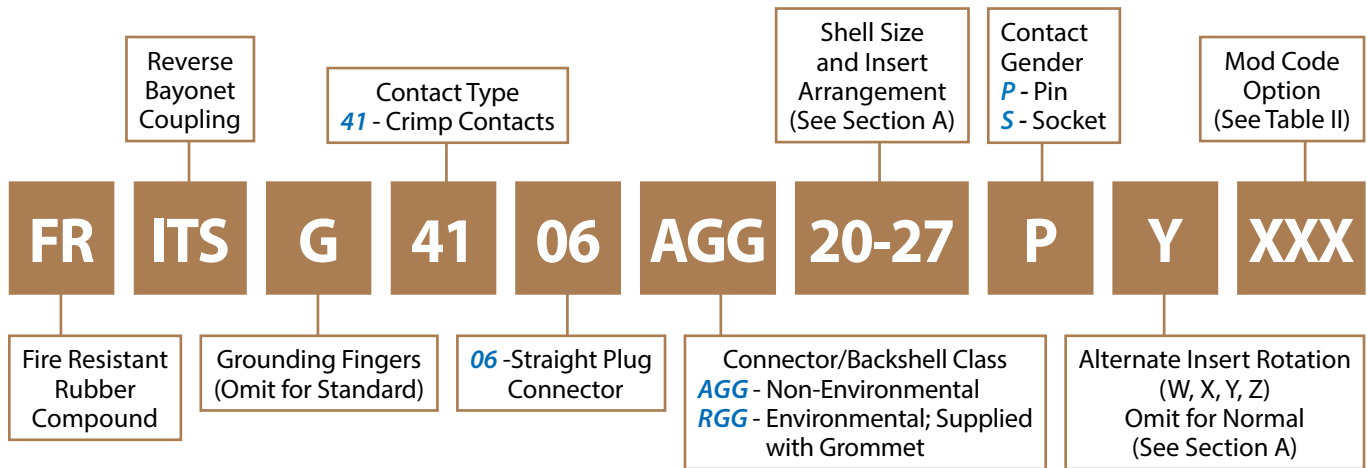


ITS 4106 AGG and ITS 4106 RGG Straight Plug Connector with Rubber-Coated Coupling Nut



Application Notes

1. Straight plug connector with rubber covered coupling nut.
2. Connector/Backshell class "AGG" (no grommet supplied) or "RGG" (insulating grommet supplied).
3. Standard materials configuration consists of aluminum alloy.
4. Standard contact material consists of copper alloy with silver plating or gold plating.
5. A broad range of additional connector accessories are available.
See our website and/or contact the factory for complete information.
6. Order cable clamps separately.

**ITS 4106 AGG and ITS 4106 RGG
Straight Plug Connector with Rubber-Coated
Coupling Nut**

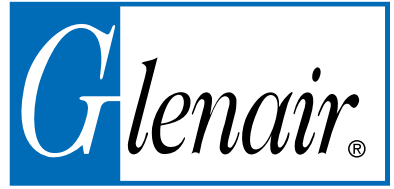


TABLE I: DIMENSIONS

Shell Size	L Max.	ØQ ±0.5	ØQ1 ±0.5	F Thread
10 SL	46.0	28.6	33.5	0.6250 - 24UNEF
14 S	48.4	35.0	42.0	0.7500 - 20UNEF
16 S	48.4	38.0	45.0	0.8750 - 20UNEF
16	59.8	38.0	45.0	0.8750 - 20UNEF
18	59.8	43.5	49.0	1.0000 - 20UNEF
20	60.1	46.5	52.0	1.1875 - 18UNEF
22	60.1	50.5	56.0	1.1875 - 18UNEF
24	61.7	54.0	60.0	1.4375 - 18UNEF
28	68.2	61.0	67.0	1.4375 - 18UNEF
32	73.3	68.0	76.0	1.7500 - 18UNS
36	78.8	74.0	82.0	2.0000 - 18UNS
40	78.8	80.0	88.0	2.2500 - 16UN



TABLE II: MODIFICATION CODES

CONTACT OPTIONS		
Sym	Description	
B0	Connector without Contacts**	
B1	Connector with Gold Plated Contacts	
Omit for standard version (Silver plated)		
STANDARD MATERIAL AND FINISH (*)		
Sym	Description	RoHS
	Omit for Aluminum/ Cadmium Olive Drab	
F6	Aluminum/ Black Electrodeposited Paint	✓
F7	Aluminum/ Black Zinc Nickel	✓
F11	Aluminum/ Electroless Nickel	✓

(*) Apply to components without rubber covering only.
For further finish options, please contact the factory.

(**) Crimp Contacts Only