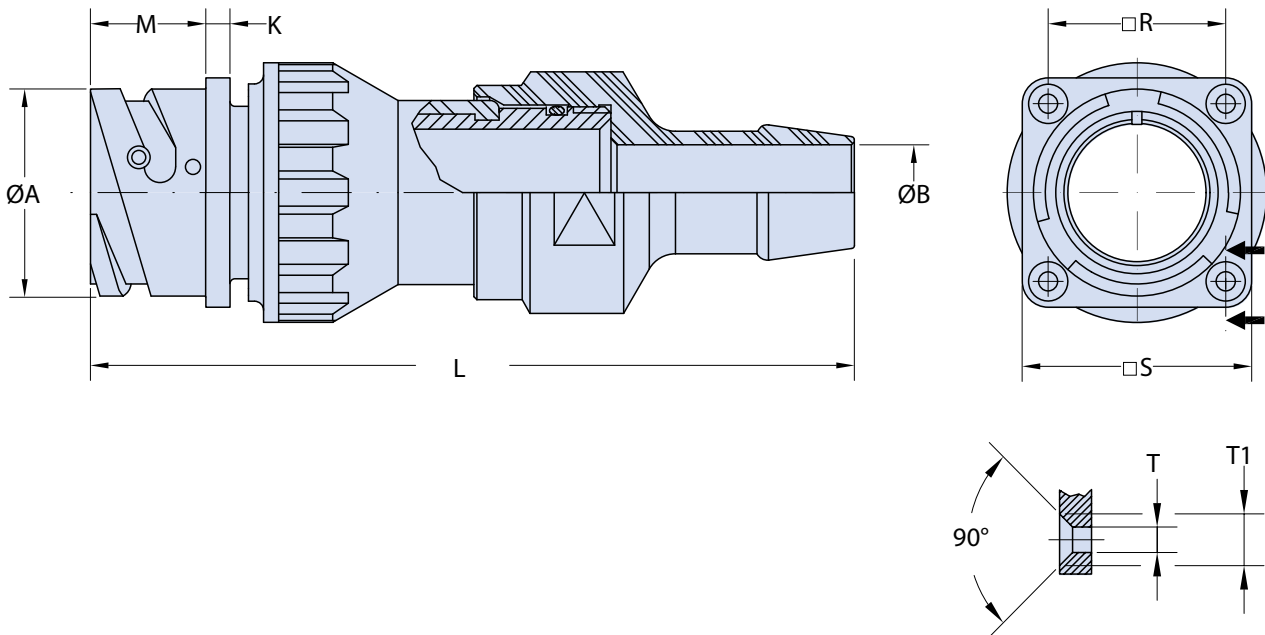
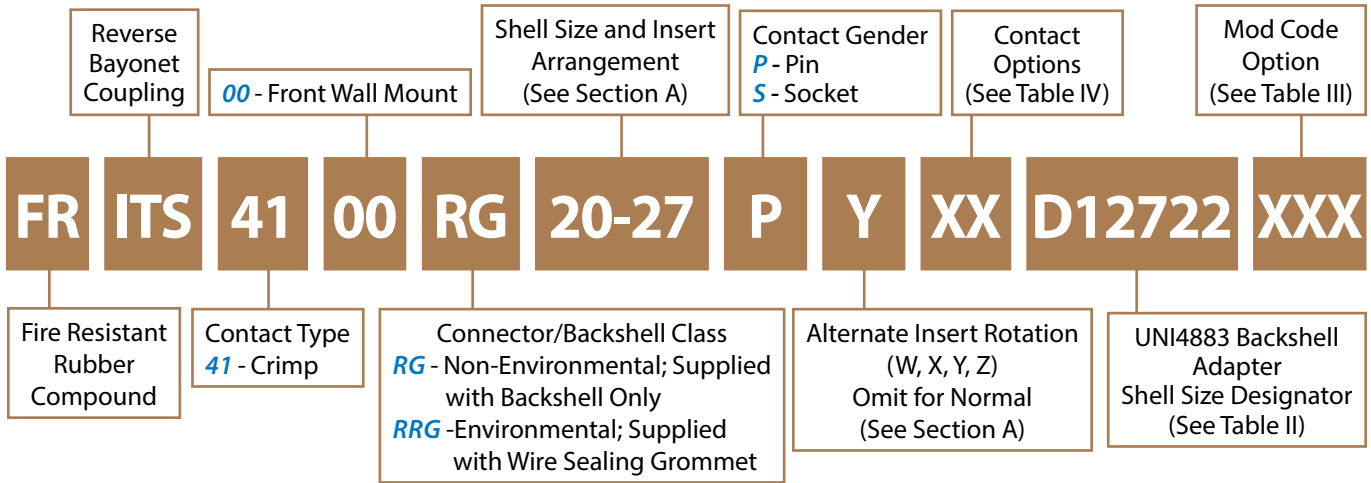




ITS 4100 RG D1 and ITS 4100 RRG D1 Front Panel Mount Square Flange Receptacle with Backshell for Termination of UNI4883 Rubber Conduit



Application Notes

1. Front panel mount square flange receptacle with rear backshell for termination of UNI41883 type rubber conduit. Through mounting holes.
2. RG - Non-Environmental; grommet not supplied.
RRG - Environmental; supplied with wire sealing grommet.
3. Standard materials configuration consists of aluminum alloy.
4. Standard contact material consists of copper alloy with silver plating or gold plating.

**ITS 4100 RG D1 and ITS 4100 RRG D1
Front Panel Mount Square Flange Receptacle
with Backshell for Termination of UNI4883 Rubber Conduit**



TABLE I: DIMENSIONS

| Shell Size | ØA +0.2 -0.1 | ØB | K ±0.2 | L Max. | M +0.4 -0 | R ±0.2 | S ±0.2 | ØT H13 | ØT1 |
|------------|--------------------|---------------------|-----------|-----------|-----------------|-----------|-----------|-----------|-----|
| 14 S | 24.5 | See Table III Below | 3.2 | 107 | 14.2 | 23.00 | 30.4 | 3.2 | 6.5 |
| 16 S | 27.2 | | 3.2 | 115 | 14.2 | 24.60 | 32.5 | 3.2 | 6.5 |
| 16 | 27.2 | | 3.2 | 115 | 19.0 | 24.60 | 32.5 | 3.2 | 6.5 |
| 18 | 30.7 | | 4.0 | 122 | 19.0 | 27.00 | 35.0 | 3.2 | 6.5 |
| 20 | 34.0 | | 4.0 | 131 | 19.0 | 29.40 | 38.0 | 3.2 | 6.5 |
| 22 | 37.3 | | 4.0 | 131 | 19.0 | 31.75 | 41.0 | 3.2 | 6.5 |
| 24 | 40.9 | | 4.0 | 153 | 20.6 | 34.90 | 44.5 | 3.7 | 7.5 |
| 28 | 46.7 | | 4.0 | 153 | 20.6 | 39.70 | 50.9 | 3.7 | 7.5 |
| 32 | 53.4 | | 4.0 | 146 | 22.2 | 44.50 | 57.0 | 4.3 | 8.0 |
| 36 | 59.6 | | 4.0 | 164 | 22.2 | 49.20 | 63.5 | 4.3 | 8.0 |
| 40 | 65.5 | | 4.0 | 169 | 22.2 | 55.55 | 69.9 | 4.3 | 8.0 |

TABLE II: BACKSHELL DIMENSIONS RUBBER CONDUIT

| Shell Size | In accordance with UNI 4883 | | ØB ±0.1 |
|------------|-----------------------------|--------|------------|
| | Ø Min. | Ø Max. | |
| 14 S | 12.0 | 17.0 | 11.0 |
| 18 | 15.0 | 20.0 | 13.3 |
| 20 - 22 | 12.0 | 17.0 | 11.0 |
| 20 - 22 | 18.0 | 23.0 | 15.8 |
| 20 - 22 | 22.0 | 27.0 | 20.0 |
| 20 - 22 | 25.0 | 30.0 | 22.0 |
| 20 - 22 | 35.0 | 40.0 | 32.0 |
| 24 - 28 | 20.0 | 25.0 | 15.0 |
| 24 - 28 | 22.0 | 27.0 | 20.0 |
| 24 - 28 | 25.0 | 30.0 | 22.0 |
| 24 - 28 | 28.0 | 33.0 | 26.0 |
| 24 - 28 | 30.0 | 35.0 | 25.0 |
| 24 - 28 | 35.0 | 40.0 | 32.0 |
| 24 - 28 | 45.0 | 50.0 | 42.0 |
| 32 | 25.0 | 30.0 | 22.0 |
| 32 | 30.0 | 35.0 | 25.0 |
| 32 | 35.0 | 40.0 | 32.0 |
| 32 | 40.0 | 45.0 | 38.0 |
| 36 | 30.0 | 35.0 | 25.0 |
| 36 | 35.0 | 40.0 | 32.0 |
| 40 | 40.0 | 45.0 | 38.0 |
| 40 | 45.0 | 50.0 | 42.0 |
| 40 | 50.0 | 55.0 | 47.0 |

TABLE III: MODIFICATION CODES

| STANDARD MATERIAL AND FINISH (*) | | |
|----------------------------------|--|------|
| Sym | Description | RoHS |
| | Omit for Aluminum/ Cadmium Olive Drab | |
| F6 | Aluminum/ Black Electrodeposited Paint | ✓ |
| F7 | Aluminum/ Black Zinc Nickel | ✓ |
| F11 | Aluminum/ Electroless Nickel | ✓ |

TABLE IV: MODIFICATION CODES

| CONTACT OPTIONS | |
|--|-------------------------------------|
| Sym | Description |
| B0 | Connector without Contacts** |
| B1 | Connector with Gold Plated Contacts |
| Omit for standard version (Silver plated) | |

(*) Apply to components without rubber covering only.
For further finish options, please contact the factory.

(**) Crimp Contacts Only