

Elastomer Option (See Table III)	Contact Type <b>31</b> - Solder <b>41</b> - Crimp	<b>070</b> - Rear Wall Mount Jam Nut Receptacle with Accessory Threads	Contact Gender <b>P</b> - Pin <b>S</b> - Socket	Contact Options (See Table IV)	Mod Code Option (See Table II)					
<b>XX</b>	<b>ITS</b>	<b>31</b>	<b>070</b>	<b>A</b>	<b>20-27</b>	<b>P</b>	<b>Y</b>	<b>XX</b>	<b>NO</b>	<b>XXX</b>

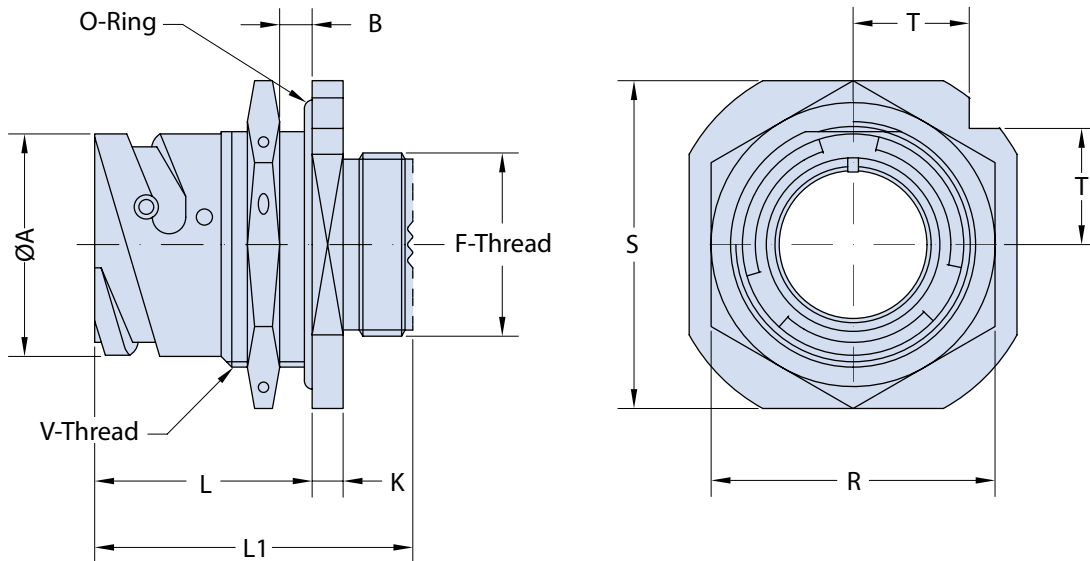
Reverse Bayonet Coupling  
**ITS** - Aluminum Shell with  
Stainless Steel Studs  
**ITB** - Marine Bronze or  
Stainless Steel Shell without  
Stainless Steel Studs  
For further details, see diagram  
on page A-38

Connector Class  
**A** - General Duty  
**R** - Sealed Insulator

Shell Size and Insert  
Arrangement  
(See Section A)

Alternate Insert Rotation  
(W, X, Y, Z)  
Omit for Normal  
(See Section A)

**NO** - No Backshell  
**NOG** - Supplied  
with Grommet and  
Compression Ring,  
No Backshell



### Application Notes

1. Rear Panel Mount Jam Nut Receptacle with backshell for the attachment of strain-relieving cable clamps or other accessories. No backshell and grommet provided.
2. Connector Class "A" - General Duty.  
Connector Class "R" - Environmental. Sealed insulator only with solder contacts.
3. Standard materials configuration consists of aluminum alloy. For platings, see TABLE II finish options.
4. Standard contact material consists of copper alloy with silver plating or gold plating.
5. A broad range of other front and rear connector accessories are available.  
See our website and/or contact the factory for complete information.

ITS 31070 A NO and ITS 31070 R NO  
 ITS 41070 A NO and ITS 41070 R NO  
 Rear Panel Mount Jam Nut Receptacle  
 with Accessory Mounting Threads



TABLE I: DIMENSIONS

Shell Size	ØA +0.2 -0.1	B		F Thread	K ±0.2	L ±0.1	L1 ±0.25	R (Key)	S ±0.2	T	V Thread
		Min.	Max.								
10 SL	18.2	2.4	5.2	0.6250 - 24UNEF	4.0	24.5	36.2	27	31.8	11.2	0.8750 - 20UNEF
14 S	24.5	2.4	7.5	0.7500 - 20UNEF	4.8	26.8	38.9	33	41.3	14.6	1.1250 - 18UNEF
16 S	27.2	2.4	7.5	0.8750 - 20UNEF	4.8	26.8	38.9	38	44.4	15.7	1.2500 - 18UNEF
16	27.2	2.4	7.5	0.8750 - 20UNEF	4.8	32.2	48.5	38	44.4	15.7	1.2500 - 18UNEF
18	30.7	2.4	9.0	1.0000 - 20UNEF	4.8	33.7	49.3	40	47.6	16.8	1.3750 - 18UNEF
20	34.0	2.4	9.0	1.1250 - 18UNEF	4.8	33.7	49.3	44	50.8	18.0	1.5000 - 18UNEF
22	37.3	2.4	9.1	1.2500 - 18UNEF	4.8	33.7	49.3	46	54.2	20.2	1.6250 - 18UNEF
24	40.9	2.4	9.1	1.3750 - 18UNEF	4.8	33.7	49.3	51	57.2	20.2	1.7500 - 18UNS
28	46.7	2.4	8.5	1.6250 - 18UNEF	5.6	35.2	51.9	55	63.5	22.5	2.0000 - 18UNS
32	53.4	2.4	6.5	1.8750 - 16UN	5.6	35.2	51.9	62	69.8	24.7	2.2500 - 16UN
36	59.6	2.4	8.3	2.0625 - 16UNS	5.6	35.2	51.9	71	76.2	26.9	2.5000 - 16UN
40	65.5	2.4	8.3	2.3125 - 16UNS	5.6	35.2	51.9	75	83.5	29.6	2.7500 - 16UN

B

TABLE II: MODIFICATION CODES

STANDARD MATERIAL AND FINISH (*)		
Sym	Description	RoHS
	Omit for Aluminum/ Cadmium Olive Drab	
F6	Aluminum/ Black Electrodeposited Paint	✓
F7	Aluminum/ Black Zinc Nickel	✓
F11	Aluminum/ Electroless Nickel	✓
MB	Marine Bronze/ Unplated	✓
FK	Stainless Steel/ Passivate	✓

TABLE III

ELASTOMER OPTIONS	
Sym	Description
	Omit for Polychloroprene Elastomer
FR	Fire Resistant Elastomer
S	Silicone Elastomer

TABLE IV: MODIFICATION CODES

CONTACT OPTIONS	
Sym	Description
B0	Connector without Contacts**
B1	Connector with Gold Plated Contacts
<b>Omit for standard version (Silver plated)</b>	

(\*) For further options, please contact the factory.

(\*\*) Crimp Contacts Only