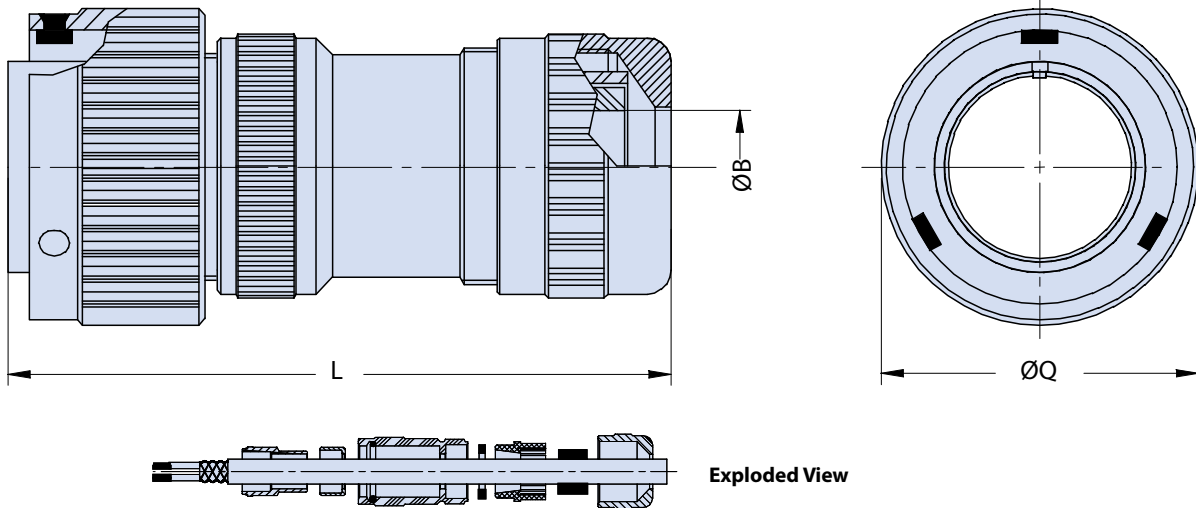
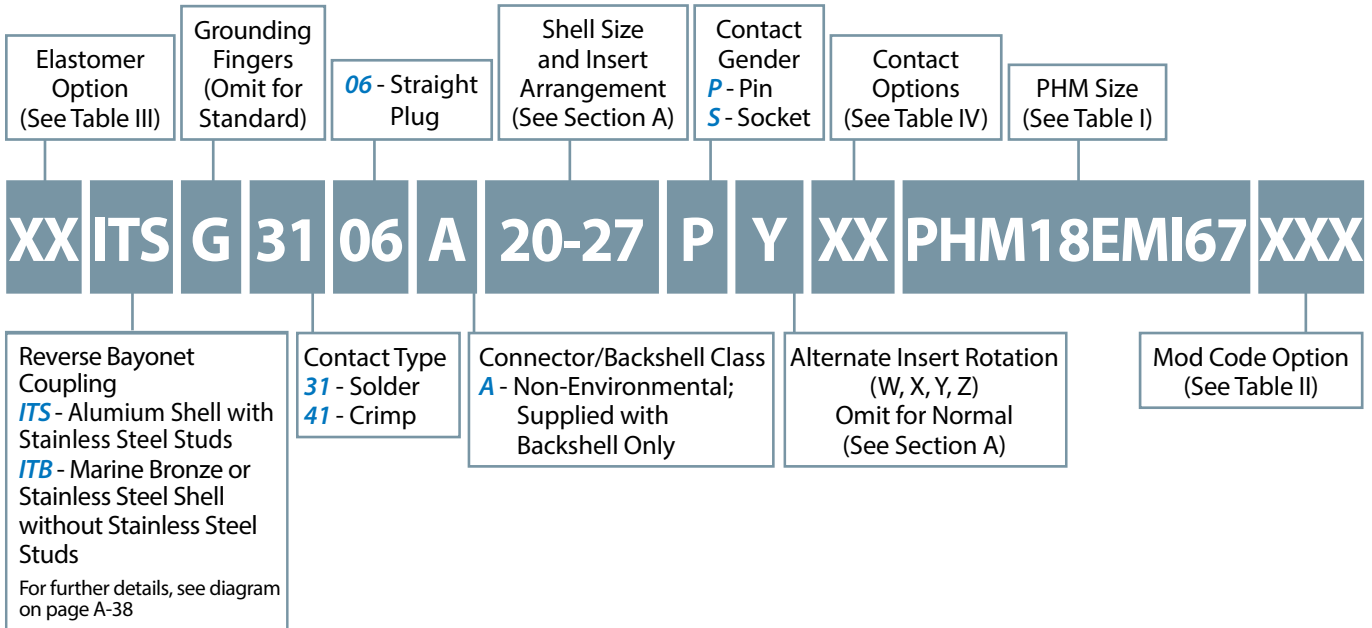


ITS 3106 A PHM-EMI67 and ITS 4106 A PHM-EMI67 Straight Cylindrical Plug Assembly with EMI/RFI PHM Backshell



Application Notes

1. Straight plug with an EMI/RFI PHM. Up to IP67 when used with correct neoprene sealing bushing.
2. Connector/Backshell Class "A" (non-environmental)—No grommet supplied.
3. Standard materials configuration consists of aluminum alloy. For platings, see TABLE II finish options.
4. Standard contact material consists of copper alloy with silver plating or gold plating.

ITS 3106 A PHM-EMI67 and ITS 4106 A PHM-EMI67
 Straight Cylindrical Plug Assembly
 with EMI/RFI and Environmental PHM Backshell



TABLE I: DIMENSIONS

Shell Size	PHM Size	ØB Min. - Max.	L Max.	ØQ ±0.2
10 SL	9	2-9	74.0	22.6
14 S	11	2-11	88.5	29.0
16 S	11	2-11	88.5	31.6
16	11	2-11	98.5	31.6
18	18	2-16.5	100.5	36.2
20	18	2-16.5	101.5	39.8
22	18	2-16.5	101.5	43.0
24	22	15-20	104.5	46.4
28	22	15-20	109.0	53.0
32	24	19-24	112.0	60.0
36	35	23-35	118.0	66.2
40	35	23-35	118.0	72.3

B

TABLE II: MODIFICATION CODES

STANDARD MATERIAL AND FINISH (*)		
Sym	Description	RoHS
	Omit for Aluminum/ Cadmium Olive Drab	
F7	Aluminum/ Black Zinc Nickel	✓
F11	Aluminum/ Electroless Nickel	✓
MB	Marine Bronze/ Unplated	✓
FK	Stainless Steel/ Passivate	✓

TABLE III

ELASTOMER OPTIONS	
Sym	Description
	Omit for Polychloroprene Elastomer
FR	Fire Resistant Elastomer
S	Silicone Elastomer

TABLE IV: MODIFICATION CODES

CONTACT OPTIONS	
Sym	Description
B0	Connector without Contacts**
B1	Connector with Gold Plated Contacts
Omit for standard version (Silver plated)	

(*) For further options, please contact the factory.

(**) Crimp Contacts Only