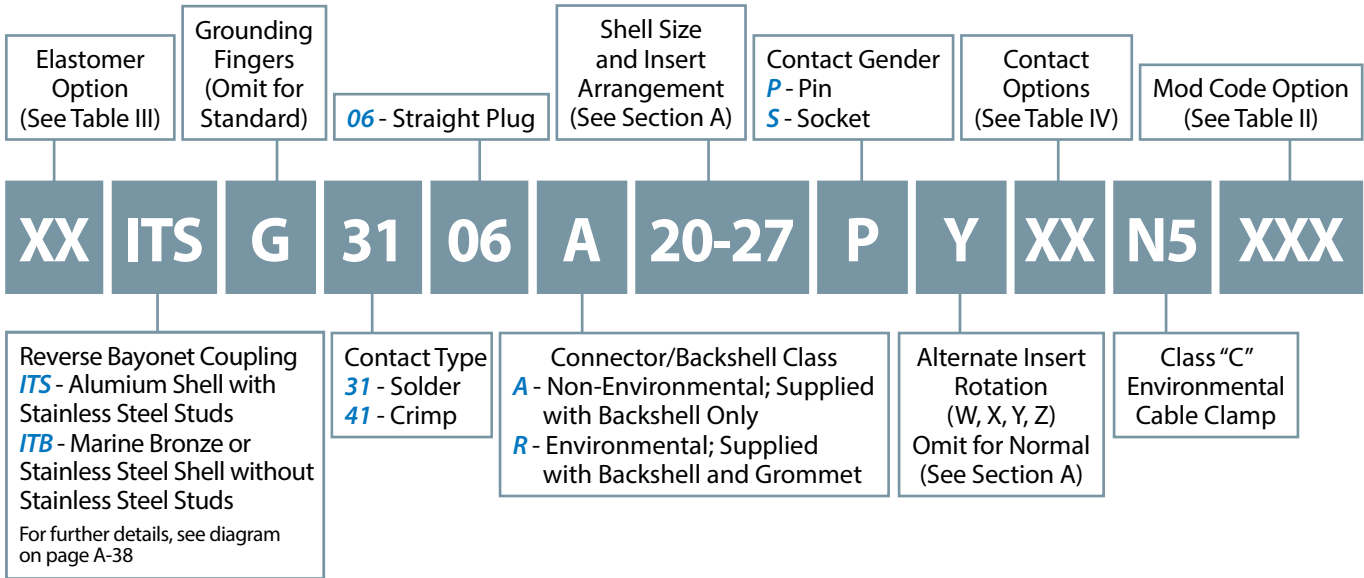
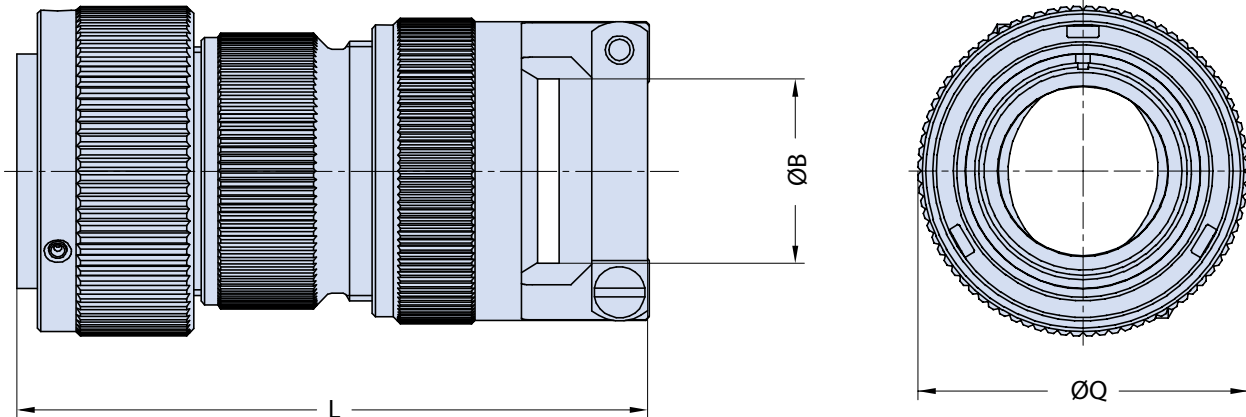


ITS 3106 A N5 and ITS 3106 R N5
ITS 4106 A N5 and ITS 4106 R N5
Straight Cylindrical Plug Assembly
with Class C (Environmental) IT3057 Cable Clamp



B



Application Notes

1. Straight cylindrical plug with a class C (environmental) IT3057 cable clamp for use with jacketed cable.
2. Connector/Backshell Class "A" (non-environmental)—Not supplied with wire sealing grommet;
Class "R" (environmental)—Supplied with grommet.
3. Standard materials configuration consists of aluminum alloy. For platings, see TABLE II finish options.
4. Standard contact material consists of copper alloy with silver plating or gold plating available.

ITS 3106 A N5 and ITS 3106 R N5
 ITS 4106 A N5 and ITS 4106 R N5
 Straight Cylindrical Plug Assembly
 with Class C (Environmental) IT3057 Cable Clamp



TABLE I: DIMENSIONS

Shell Size	ØB		L Max.	ØQ ±0.2
	Open	Closed		
10 SL	7.93	2.38	73.0	22.6
14 S	11.12	5.84	76.0	29.0
16 S	13.48	8.00	73.0	31.6
16	13.48	8.00	84.0	31.6
18	15.87	9.60	88.0	36.2
20	19.00	11.30	90.0	39.8
22	19.00	11.30	89.0	43.0
24	23.80	15.50	95.0	46.4
28	23.80	15.50	103.0	53.0
32	31.75	23.40	111.0	60.0
36	35.00	23.40	123.0	66.2
40	41.25	29.90	123.0	72.3

TABLE II: MODIFICATION CODES

STANDARD MATERIAL AND FINISH (*)		
Sym	Description	RoHS
	Omit for Aluminum/ Cadmium Olive Drab	
F6	Aluminum/ Black Electrodeposited Paint	✓
F7	Aluminum/ Black Zinc Nickel	✓
F11	Aluminum/ Electroless Nickel	✓
MB	Marine Bronze/ Unplated	✓
FK	Stainless Steel/ Passivate	✓

TABLE III

ELASTOMER OPTIONS	
Sym	Description
	Omit for Polychloroprene Elastomer
FR	Fire Resistant Elastomer
S	Silicone Elastomer

TABLE IV: MODIFICATION CODES

CONTACT OPTIONS	
Sym	Description
B0	Connector without Contacts**
B1	Connector with Gold Plated Contacts
Omit for standard version (Silver plated)	

(*) For further options, please contact the factory.

(**) Crimp Contacts Only