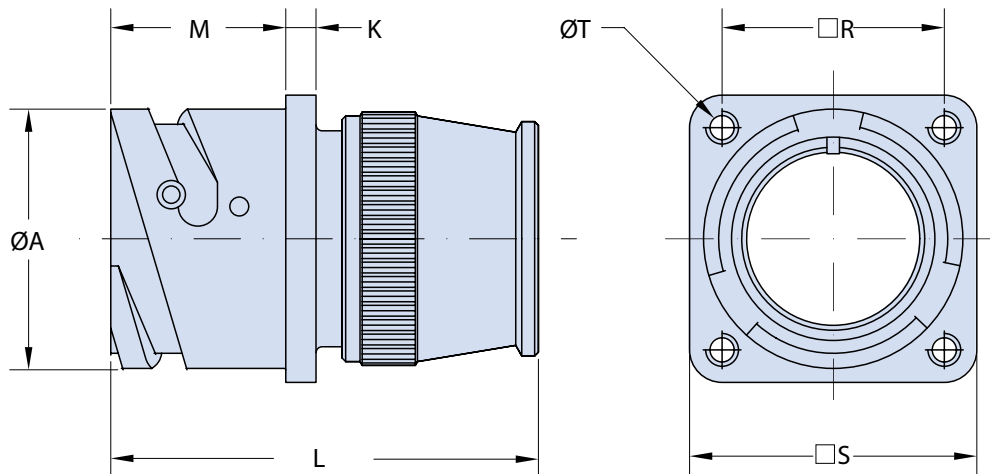
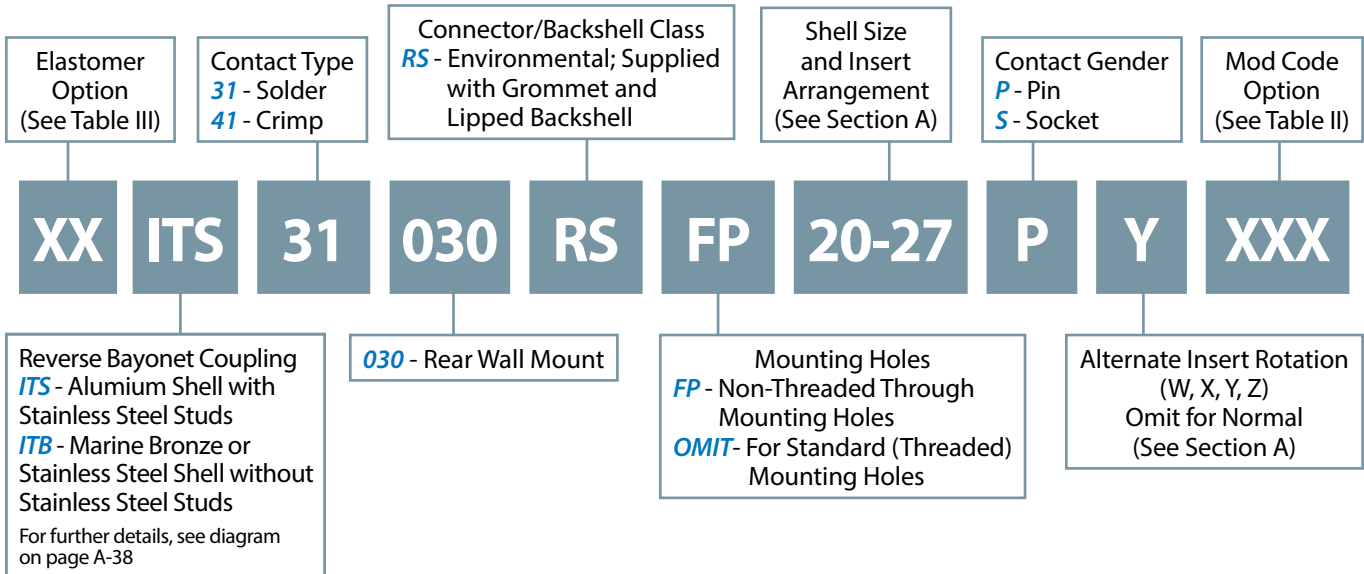


ITS 31030 RS and ITS 41030 RS Rear Panel Mount Square Flange Receptacle Assembly with Lipped Backshell



Application Notes

1. Rear panel mount square flange receptacle with a wire sealing grommet and backshell for use with individual wire assemblies. Threaded mounting holes. Optional non-threaded mounting holes available.
2. Connector/backshell Class "RS" (environmental)—Wire sealing grommet supplied.
3. Standard materials configuration consists of aluminum alloy. For platings, see TABLE II finish options.
4. Standard contact material consists of copper alloy with silver plating or gold plating.

**ITS 31030 RS and ITS 41030 RS
Rear Panel Mount Square Flange Receptacle Assembly
with Lipped Backshell**



TABLE I: DIMENSIONS

Shell Size	ØA +0.2 -0.1	K ±0.2	L Max.	M +0.2 -0	R ±0.2	S ±0.2	T Thread
10 SL	18.2	2.8	49.5	18.4	18.25	25.4	M4
14 S	24.5	3.2	53.5	18.4	23.00	30.4	M4
16 S	27.2	3.2	53.5	18.4	24.60	32.5	M4
16	27.2	3.2	60.0	23.2	24.60	32.5	M4
18	30.7	4.0	60.0	23.2	27.00	35.0	M4
20	34.0	4.0	62.0	23.2	29.40	38.0	M4
22	37.3	4.0	62.0	23.2	31.75	41.0	M4
24	40.9	4.0	62.0	23.2	34.90	44.5	M4
28	46.7	4.0	62.0	24.2	39.70	50.9	M5
32	53.4	4.0	62.5	24.2	44.50	57.0	M5
36	59.6	4.0	62.5	24.2	49.20	63.5	M5
40	65.5	4.0	62.5	24.2	55.55	69.9	M5

For through mounting holes refer to page B-3.

TABLE II: MODIFICATION CODES

CONTACT OPTIONS		
Sym	Description	
B0	Connector without Contacts**	
B1	Connector with Gold Plated Contacts	
Omit for standard version (Silver plated)		
STANDARD MATERIAL AND FINISH (*)		
Sym	Description	RoHS
	Omit for Aluminum/ Cadmium Olive Drab	
F6	Aluminum/ Black Electrodeposited Paint	✓
F7	Aluminum/ Black Zinc Nickel	✓
F11	Aluminum/ Electroless Nickel	✓
MB	Marine Bronze/ Unplated	✓
FK	Stainless Steel/ Passivate	✓

(*) For further options, please contact the factory.

(**) Crimp Contacts Only

TABLE III

ELASTOMER OPTIONS	
Sym	Description
	Omit for Polychloroprene Elastomer
FR	Fire Resistant Elastomer
S	Silicone Elastomer