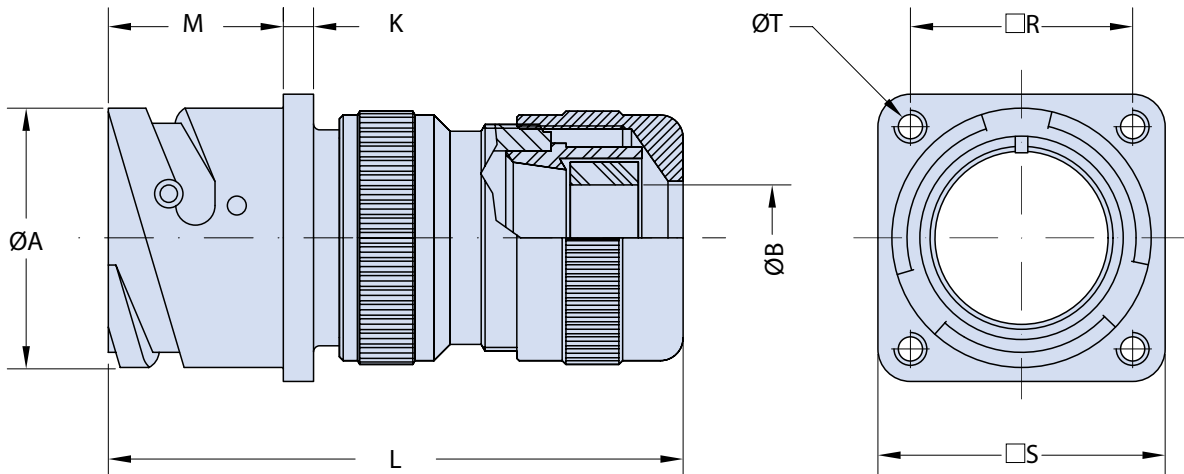
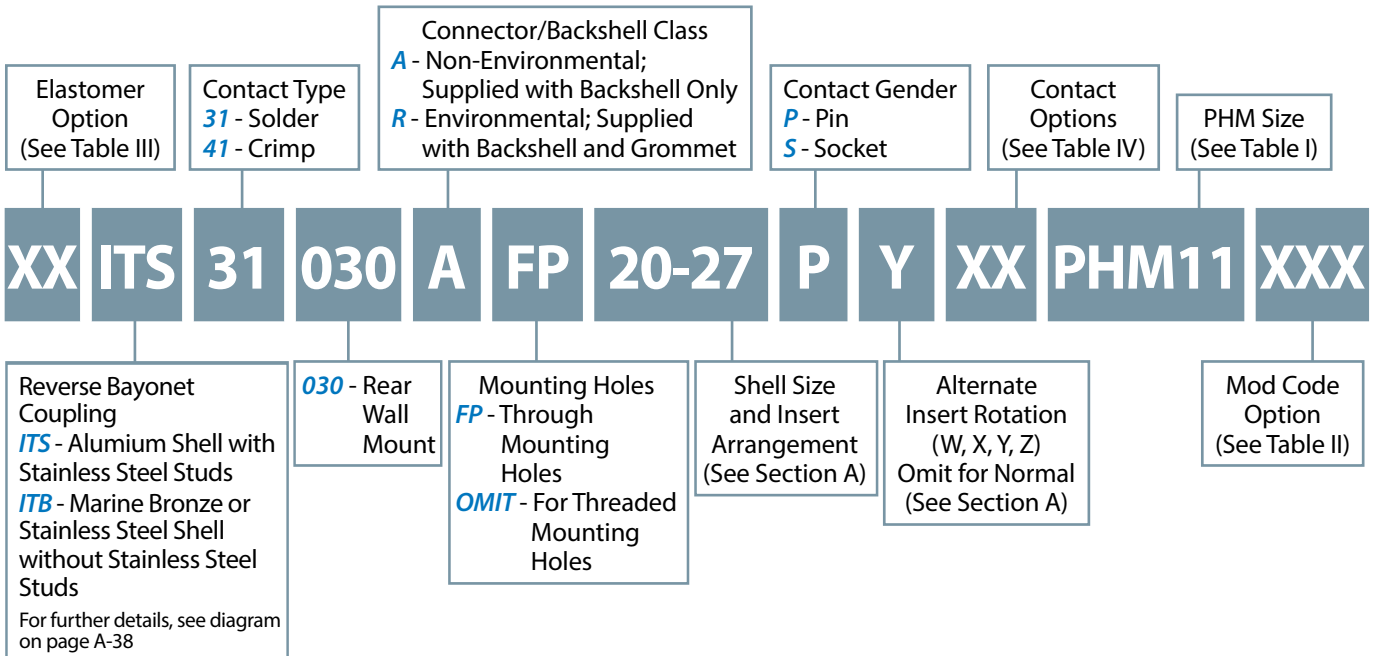


ITS 31030 A PHM and ITS 31030 R PHM
ITS 41030 A PHM and ITS 41030 R PHM
Rear Panel Mount Square Flange Receptacle Assembly
with Environmental PHM Backshell



Application Notes

1. Rear panel mount square flange receptacle with a PHM backshell. Threaded mounting holes. Optional non-threaded through mounting holes available.
2. Connector/Backshell Class "A" (non-environmental)—Not supplied with wire sealing grommet; Class "R" (environmental)—Supplied with grommet.
3. Standard materials configuration consists of aluminum alloy. For platings, see TABLE II finish options.
4. Standard contact material consists of copper alloy with silver plating or gold plating available.

ITS 31030 A PHM and ITS 31030 R PHM
 ITS 41030 A PHM and ITS 41030 R PHM
 Rear Panel Mount Square Flange Receptacle Assembly
 with Environmental PHM Backshell



TABLE I: DIMENSIONS

| Shell Size | PHM Size | ØA +0.2 -0.1 | ØB Min. - Max. | K ±0.2 | L Max. | M +0.2 -0 | R ±0.2 | S ±0.2 | T Thread |
|------------|--------------|--------------------|------------------------------|-----------|-----------|-----------------|-----------|-----------|-------------|
| 10 SL | 9 | 18.2 | 2 - 9 | 2.8 | 69.5 | 18.4 | 18.25 | 25.4 | M4 |
| 14 S | 11 | 24.5 | 2 - 11 | 3.2 | 72.0 | 18.4 | 23.00 | 30.4 | M4 |
| 16 S | 11 | 27.2 | 2 - 11 | 3.2 | 72.0 | 18.4 | 24.60 | 32.5 | M4 |
| 16 | 11 | 27.2 | 2 - 11 | 3.2 | 80.5 | 23.2 | 24.60 | 32.5 | M4 |
| 18 | 11 / 18 | 30.7 | 2 - 11 / 2 - 16.5 | 4.0 | 80.5 | 23.2 | 27.00 | 35.0 | M4 |
| 20 | 11 / 18 | 34.0 | 2 - 11 / 2 - 16.5 | 4.0 | 82.5 | 23.2 | 29.40 | 38.0 | M4 |
| 22 | 18 | 37.3 | 2 - 16.5 | 4.0 | 82.5 | 23.2 | 31.75 | 41.0 | M4 |
| 24 | 18 / 22 / 24 | 40.9 | 2 - 16.5 / 15 - 20 / 19 - 24 | 4.0 | 85.5 | 23.2 | 34.90 | 44.5 | M4 |
| 28 | 18 / 22 / 24 | 46.7 | 2 - 16.5 / 15 - 20 / 19 - 24 | 4.0 | 93.0 | 24.2 | 39.70 | 50.9 | M5 |
| 32 | 22 / 24 | 53.4 | 15 - 20 / 19 - 24 | 4.0 | 96.5 | 24.2 | 44.50 | 57.0 | M5 |
| 36 | 35 | 59.6 | 23 - 35 | 4.0 | 108.0 | 24.2 | 49.20 | 63.5 | M5 |
| 40 | 35 | 65.5 | 23 - 35 | 4.0 | 108.0 | 24.2 | 55.55 | 69.9 | M5 |

For through mounting holes refer to page B-3.

TABLE II: MODIFICATION CODES

| STANDARD MATERIAL AND FINISH (*) | | |
|----------------------------------|---|------|
| Sym | Description | RoHS |
| | Omit for Aluminum/ Cadmium Olive Drab | |
| F6 | Aluminum/ Black Electrodeposited Paint | ✓ |
| F7 | Aluminum/ Black Zinc Nickel | ✓ |
| F11 | Aluminum/ Electroless Nickel | ✓ |
| MB | Marine Bronze/ Unplated | ✓ |
| FK | Stainless Steel/ Passivate | ✓ |

TABLE III

| ELASTOMER OPTIONS | |
|-------------------|------------------------------------|
| Sym | Description |
| | Omit for Polychloroprene Elastomer |
| FR | Fire Resistant Elastomer |
| S | Silicone Elastomer |

TABLE IV: MODIFICATION CODES

| CONTACT OPTIONS | |
|--|-------------------------------------|
| Sym | Description |
| B0 | Connector without Contacts** |
| B1 | Connector with Gold Plated Contacts |
| Omit for standard version (Silver plated) | |

(*) For further options, please contact the factory.

(**) Crimp Contacts Only