

806-083

Hermetic Bulkhead Feed-Thru

SERIES 806 MULTI-PIN RF CONNECTORS



PART NUMBER

		806-083	-07	Z1	9	C	1	P	A	-01	-75
Base P/N	Series 806 RF Hermetic Feedthru										
Mounting Type	01	Box Mount									
	07	Jam-Nut Mount									
	13	Weld Mount									
Finish	Z1	Passivated									
	ZL	Nickel Plated									
Shell Size											
RF Contact	C	Coax									
	D	Differential Twinax*									
	Q	QUADRAX*									
	T	Concentric Twinax*									
*Only Size 8 Contacts For Signal/Power, see 806-081											
Insert Arrangement	See 806-015 for Contact Arrangement										
Contact Style	P=Pin on Panel Side, Socket Opposite S=Socket on Panel Side, Pin Opposite										
Keyway Polarization	See Table III										
Panel Thickness	-01	.125									
	-02	.250									
	-03	.500									
Nominal Impedance	#12 & #8	Quadrax									
	-75=75OHM	-150=150 DHM									
											Omit for STD (50 DHM)
											Omit for STD (100 DHM)

POLARIZATION KEY CODE TABLE III

POS	A	B	C	D
A	105	140	215	265
B	102	170	248	305
C	80	150	230	295
D	68	140	205	275
E	64	155	234	304
F	72	120	200	298

PANEL THICKNESS

	T Max	U Max
-01	1.275	.750
-02	1.400	.875
-03	1.650	1.125

R/F STYLE CONTACT PERFORMANCE

Size and Type	Frequency Max
12 Coax	2 GHz
8 Coax	1 GHz
8 Twinax (Conc.)	20 MHz
8 Quadrax	1 GHz

806-083

Hermetic Bulkhead Feed-Thru

DIMENSIONS TABLE I

Shell Size	A Thread Mating	Ø B Max Flange	C Square Max Flange Flats	D Square BSC Mounting Holes	Ø E ±.010 Mounting Boss	F Max Flange	Ø G Max Flange	H Square Max Flange Flats
7	.4375-.067P-.2L-TS-2A	.968	.750	.469	.306	.100	.848	.908
8	.5000-.067P-.2L-TS-2A	1.040	.822	.531	.387		.980	.920
9	.5625-.067P-.2L-TS-2A	1.130	.885	.594	.468		1.040	.980
10	.6250-.067P-.2L-TS-2A	1.174	.913	.625	.546		1.110	1.050
11	.6875-.067P-.2L-TS-2A	1.240	.960	.670	.586		1.160	1.110
12	.7500-.067P-.2L-TS-2A	1.354	1.040	.765	.663		1.230	1.170
14	.8750-.067P-.2L-TS-2A	1.510	1.133	.859	.743		1.360	1.320
16	1.0000-.067P-.2L-TS-2A	1.620	1.227	.938	.842		1.515	1.444
18	1.1250-.067P-.2L-TS-2A	1.784	1.320	1.016	.959	1.610	1.570	
20	1.2500-.067P-.2L-TS-2A	1.810	1.444	1.109	1.105	.125	1.850	1.760
22	1.3750-.067P-.2L-TS-2A	2.083	1.570	1.203	1.215		2.010	1.913
24	1.5000-.067P-.2L-TS-2A	2.200	1.686	1.312	1.335		2.195	2.070

DIMENSIONS (CONT.)

Shell Size	J Max Flange	K Thread Mounting	Ø L ±.002 Flange	Ø M Thru MTG Holes	Ø N +.005/- .000 Mounting Hole	P +.005/- .000 Mounting Flat	Ø R ±.002 MTG Hole	Ø S Thru
7	.100	M13 X 1 -6g .100R	.725	.128	.522	.224	.730	.445
8		M15 X 1-6g .100R	.788		.601	.256	.793	.509
9		M16 X 1-6g .100R	.912		.640	.287	.917	.577
10		M18 X 1-6g .100R	.975		.719	.318	.980	.645
11		M19 X 1-6g .100R	1.038		.759	.350	1.043	.712
12		M21 X 1-6g .100R	1.100		.837	.381	1.105	.768
14		M24 X 1-6g .100R	1.225		.955	.443	1.230	.890
16		M27 X 1-6g .100R	1.350		1.073	.505	1.355	1.015
18	M30 X 1-6g .100R	1.475	1.192	.568	1.480	1.125		
20	.128	M34 X 1-6g .100R	1.600	.154	1.349	.630	1.605	1.275
22		M37 X 1-6g .100R	1.725		1.467	.693	1.730	1.400
24		M41 X 1-6g .100R	1.850		1.624	.755	1.855	1.525

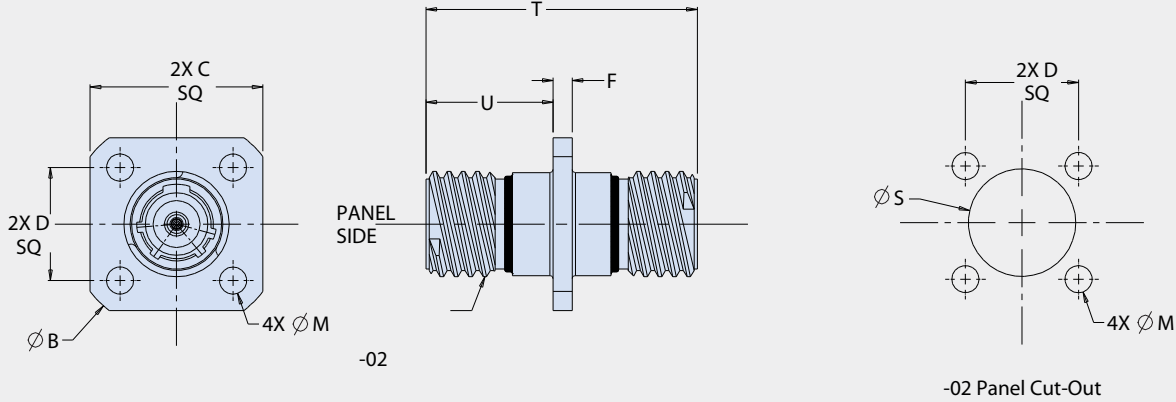
SERIES 806 MULTI-PIN RF CONNECTORS

806-083

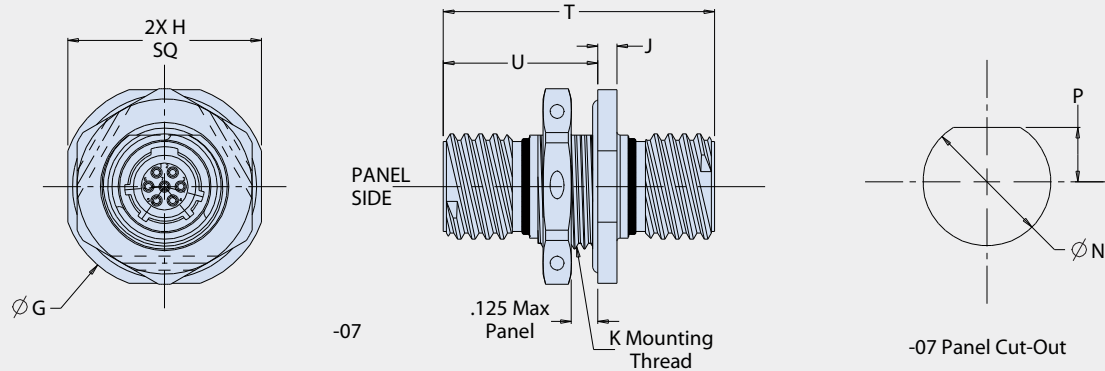
Hermetic Bulkhead Feed-Thru

SERIES 806 MULTI-PIN RF CONNECTORS

806-083-02 BOX MOUNT



806-083-07 JAM-NUT MOUNT



806-083-13 WELD-MOUNT

